

FEATURES:

1. Connectors are made from 6061-T6 aluminum alloy and are plated for corrosion resistance.
2. Available in one hole increments up to 14 holes.
3. Suitable for use on wire from #4 AWG to 750 MCM.

SPECIFICATIONS:

1. UL Listed 486B Wire Connector.
2. Temperature Rating/Voltage: AL9CU. Rated 2000V, 90 °C.
3. Wire Type: Dual rated for use with copper and/or aluminum cables. Not for fine-stranded, flexible wire.
4. Torque Chart: 34.

PL Series: Uninsulated Multi-Cable Connectors

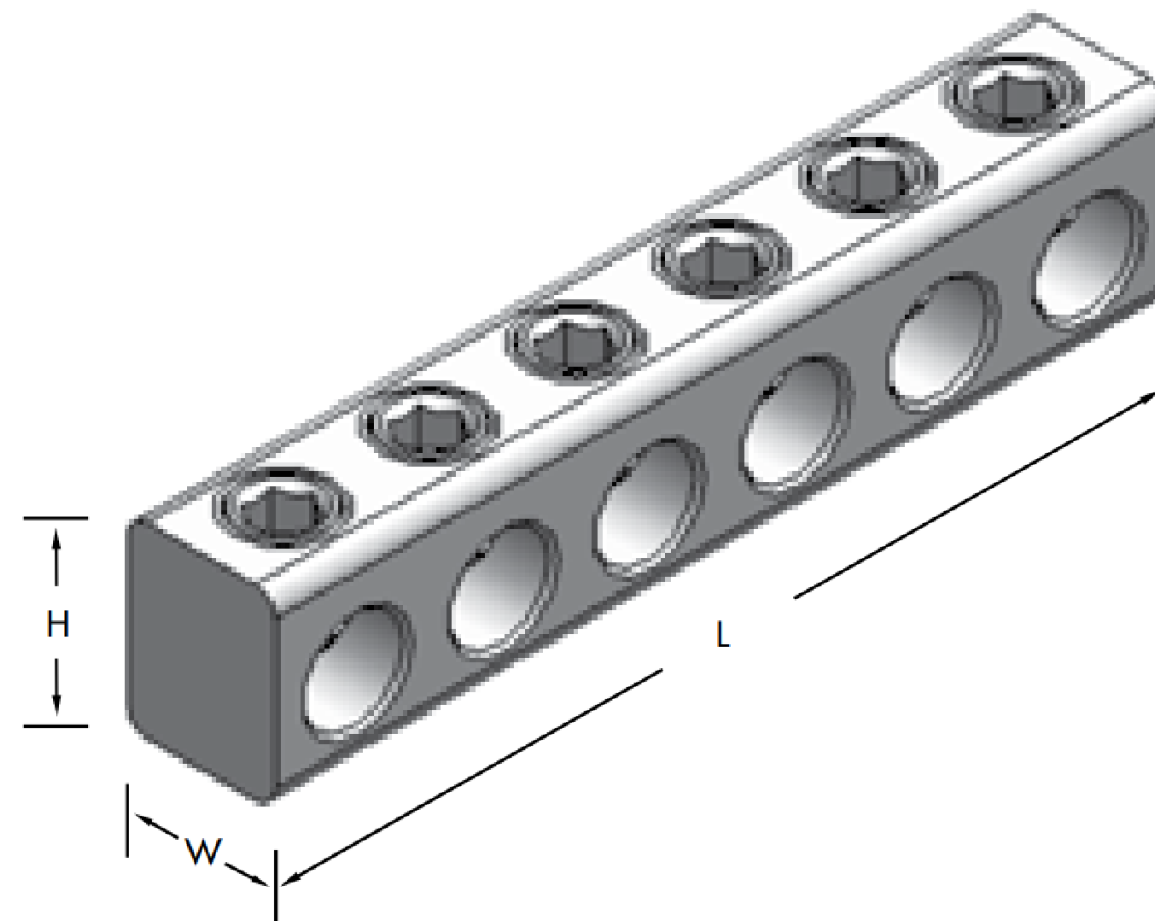


Figure varies by number of wire ports.

PART	NO. OF PORTS	WIRE RANGE	LENGTH (L) (IN.)	WIDTH (W) (IN.)	HEIGHT (H) (IN.)	MAX. TORQUE VALUE (IN./LBS.)	HEX/WRENCH SIZE (IN.)
PL4-2	2	4-14 AWG	0.880	0.500	0.630	45	Slotted
PL4-3	3	4-14 AWG	1.300	0.500	0.630	45	Slotted
PL4-4	4	4-14 AWG	1.730	0.500	0.630	45	Slotted
PL4-5	5	4-14 AWG	2.150	0.500	0.630	45	Slotted
PL4-6	6	4-14 AWG	2.570	0.500	0.630	45	Slotted
PL4-8	8	4-14 AWG	3.410	0.500	0.630	45	Slotted
PL4-10	10	4-14 AWG	4.260	0.500	0.630	45	Slotted
PL4-14	14	4-14 AWG	5.960	0.500	0.630	45	Slotted
PL1/0-2	2	1/0-14 AWG	1.350	0.630	0.880	180	3/16
PL1/0-3	3	1/0-14 AWG	2.000	0.630	0.880	180	3/16
PL1/0-4	4	1/0-14 AWG	2.650	0.630	0.880	180	3/16
PL1/0-5	5	1/0-14 AWG	3.300	0.630	0.880	180	3/16
PL1/0-6	6	1/0-14 AWG	3.950	0.630	0.880	180	3/16
PL1/0-7	7	1/0-14 AWG	4.610	0.630	0.880	180	3/16
PL1/0-8	8	1/0-14 AWG	5.250	0.630	0.880	180	3/16
PL1/0-10	10	1/0-14 AWG	6.550	0.630	0.880	180	3/16
PL1/0-14	14	1/0-14 AWG	9.150	0.630	0.880	180	3/16