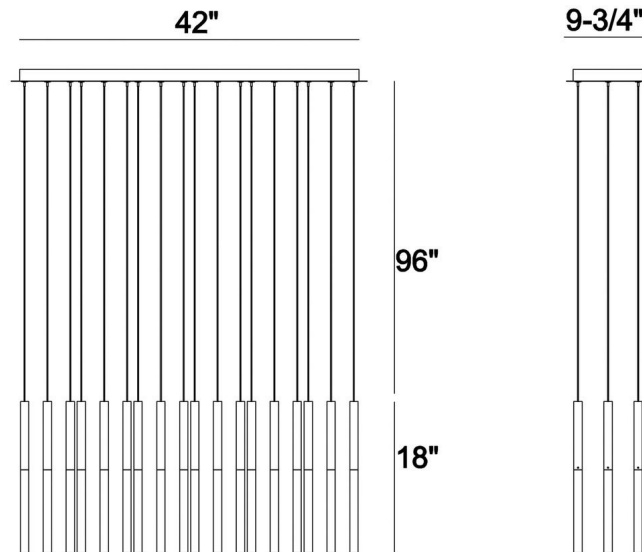


JOB NAME:

DATE:

TYPE:

COMMENTS:



LIGHT INFORMATION

Light Type	Integrated LED
CRI	90
Delivered Lumens	2136
Color Temperature	3000K
LED Lifespan (L70)	20000
Number of Lights	18
Light Direction	Down
Dimming Method	Triac/Elv
Current Type	DC
Input Voltage	120
Total Wattage	55

DIMENSIONS & WEIGHT

Length (In)	42
Width (In)	9.75
Height (In)	18
Min Height (In)	39.5
Max Height (In)	115.5
Weight (Lbs)	43.4

INSTALLATION

Mounting Type	J-Box
Rating	Dry
Hanging Support Type	Aircraft Cable

PRODUCT FINISH

Matte Black

SHADE FINISH

Rectangle Clear Glass

CERTIFICATIONS & COMPLIANCE

