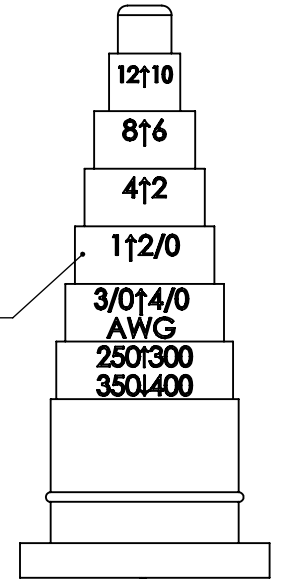


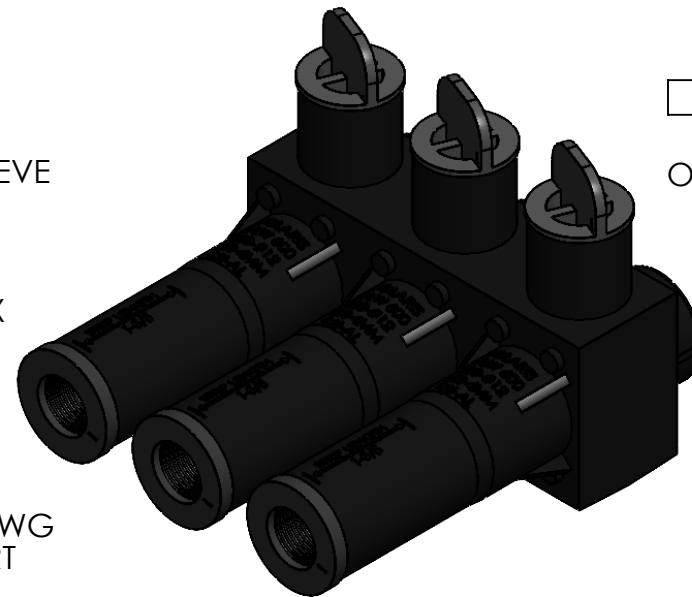
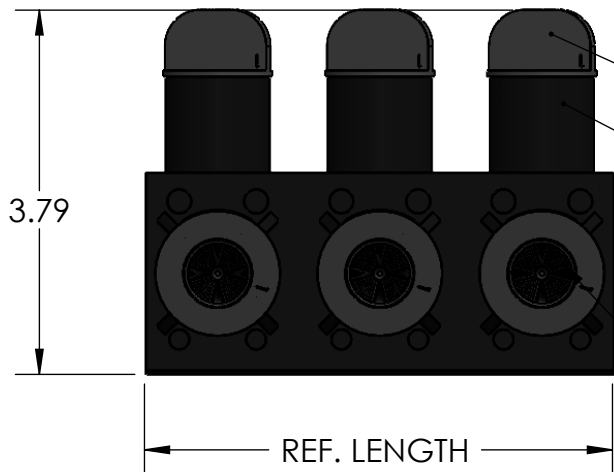


PART NUMBER	# OF PORTS	LENGTH
ISPB600-2	2	3.18
ISPB600-3	3	4.87
ISPB600-4	4	6.56
ISPB600-5	5	8.25
ISPB600-6	6	9.94
ISPB600-8	8	13.31
ISPB600-10	10	16.68
ISPB600-12	12	20.06

CUT FOR APPROPRIATE WIRE SIZE



DETAIL VIEW OF CONDUCTOR SLEEVE



CONTACT NSI FOR SALES @ 800.321.5847

TORQUE CHART

WIRE RANGE	TORQUE (IN-LBS)
#12 - #6	135
#4 - 3/0	210
4/0 - 350	360
400 - 600	500

NOTES:  
1. CONNECTOR PRE-FILLED W/ OXIDE INHIBITOR.

		<b>POLARIS</b> SALES . CO . INC	
<small>PROPRIETARY AND CONFIDENTIAL</small>		<small>11625 PROSPEROUS DRIVE ODESSA, FL 33556</small>	
<small>THE INFORMATION CONTAINED IN THIS DRAWING IS THE SOLE PROPERTY OF POLARIS SALES CO. INC. ANY REPRODUCTION IN PART OR AS A WHOLE WITHOUT THE WRITTEN PERMISSION OF POLARIS SALES CO. INC. IS PROHIBITED.</small>		<b>TITLE:</b> 600 BLACK SUBMERSIBLE PEDESTAL CONNECTOR	
<small>NAME</small> L. HILL		<small>DWG. NO.</small> ISPB600-	
<small>DATE</small> 08/22/2014		<small>SCALE:</small> 1:1	
<small>MATERIAL:</small> 6061-T6511 ALUMINUM		<small>SHEET:</small> 1 OF 1	