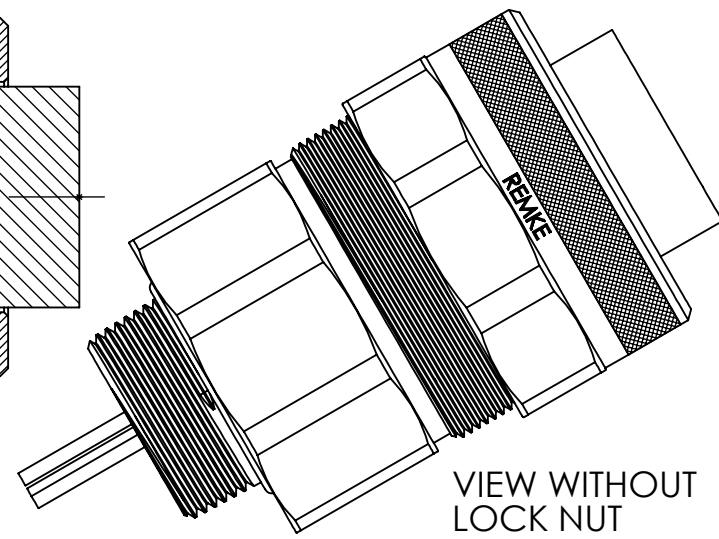
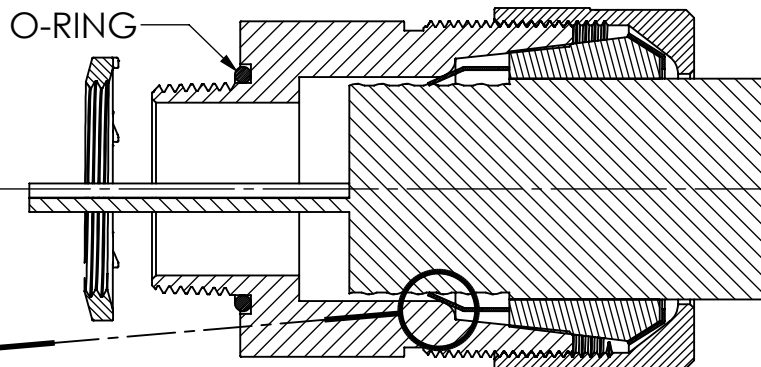


LOCK NUT  
OPTIONAL  
ADD: L



REV.	DATE	CHANGE	UNLESS OTHERWISE SPECIFIED:	NAME	DATE	<b>REMKE</b> <b>REMKE INDUSTRIES</b> 310 CHADDICK DR, WHEELING, IL. 60090
A	12/2/13	DRAWING RELEASED	DIMENSIONS ARE IN INCHES TOLERANCES: FRACTIONAL ± 1/64 ANGULAR: MACH ± 1° BEND ± 1° ONE PLACE DECIMAL ± .015 TWO PLACE DECIMAL ± .010 THREE PLACE DECIMAL ± .005	DRAWN	JCN	
			INTERPRET GEOMETRIC TOLERANCING PER:	CHECKED		
			MATERIAL	ENG APPR.		
			ALUMINUM	MFG APPR.		
			FINISH	Q.A.		
			DO NOT SCALE DRAWING	<b>PROPRIETARY AND CONFIDENTIAL</b> THE INFORMATION CONTAINED IN THIS DRAWING IS THE SOLE PROPERTY OF REMKE INDUSTRIES. ANY REPRODUCTION IN PART OR AS A WHOLE WITHOUT THE WRITTEN PERMISSION OF REMKE INDUSTRIES IS PROHIBITED.		TITLE:  SIZE <b>A</b> DWG. NO. <b>RTK-125-10</b>
				SCALE: 2:3		SHEET 1 OF 1