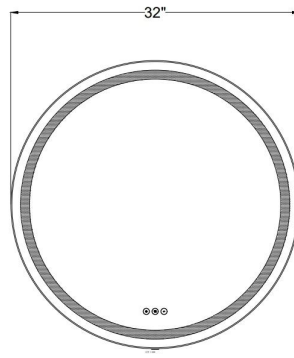


JOB NAME:

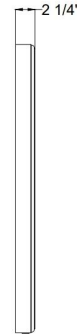
DATE:

TYPE:

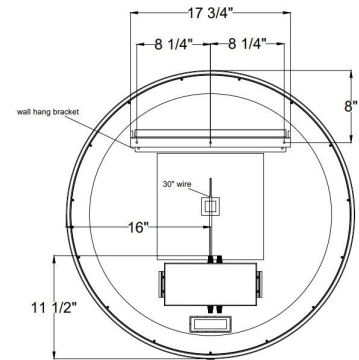
COMMENTS:



FRONT VIEW



RIGHT SIDE



REAR VIEW

LIGHT INFORMATION

| | |
|--------------------|----------------|
| Light Type | Integrated LED |
| CRI | 90 |
| Delivered Lumens | 968 |
| Color Temperature | 3000K-6400K |
| LED Lifespan (L70) | 52000 |
| Light Direction | Ambient |
| Dimming Method | Touch Switch |
| Current Type | DC |
| Input Voltage | 120 |
| Total Wattage | 59 |

DIMENSIONS & WEIGHT

| | |
|---------------|-------|
| Diameter (In) | 32 |
| Ext (In) | 2.13 |
| Weight (Lbs) | 23.58 |

INSTALLATION

| | |
|----------------------|-------|
| Mounting Type | J-Box |
| Rating | Damp |
| Hanging Support Type | Z-Bar |

PRODUCT FINISH

Brushed Black

PRODUCT FEATURES

Front & Backlit/Nightlight

CERTIFICATIONS & COMPLIANCE

