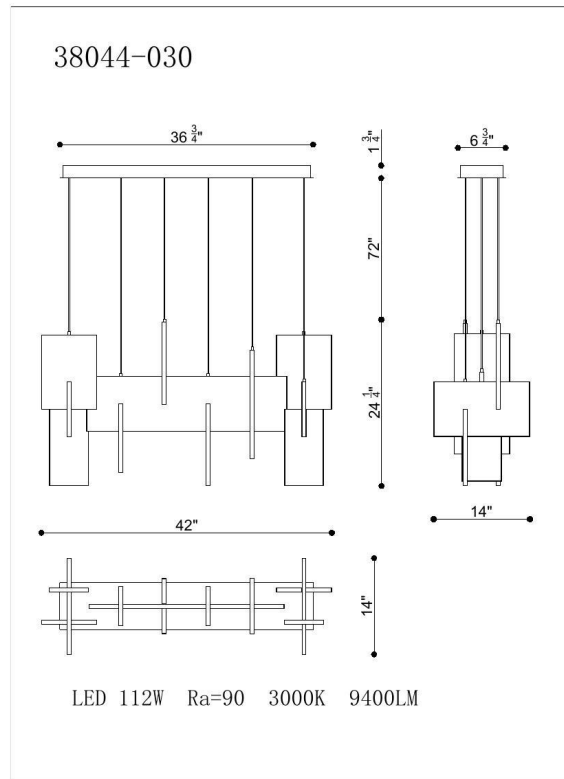


JOB NAME:

DATE:

TYPE:

COMMENTS:



**LIGHT INFORMATION**

Light Type	Integrated LED
CRI	90
Delivered Lumens	2900
Color Temperature	3000K
LED Lifespan (L70)	20000
Number of Lights	9
Light Direction	Ambient
Dimming Method	Triac/Elv
Current Type	DC
Input Voltage	120
Total Wattage	129

**DIMENSIONS & WEIGHT**

Length (In)	42
Width (In)	14
Height (In)	24.25
Min Height (In)	45.75
Max Height (In)	97.75
Weight (Lbs)	29.04

**INSTALLATION**

Mounting Type	J-Box
Rating	Dry
Hanging Support Type	Wire

**PRODUCT FINISH**

Anodized Silver

**CERTIFICATIONS & COMPLIANCE**

