

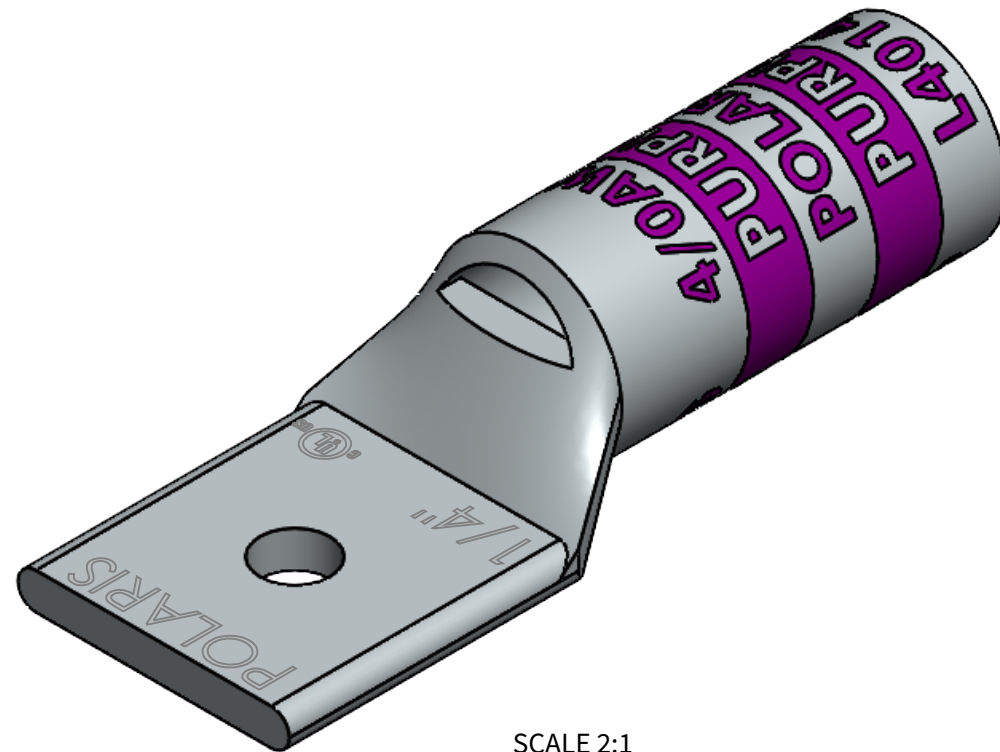
FEATURES:

1. Material: Tin Plated CU
2. UL listed for U.S. & Canada.
3. Wire connector rated for 35Kv max.
4. Class B/C compressed, concentric, and compact copper conductor only.
5. Expanded wire range when installed with dieless NSi compression tool (N12ID).
6. Dimensions are for reference only, tolerance is +/- .06".

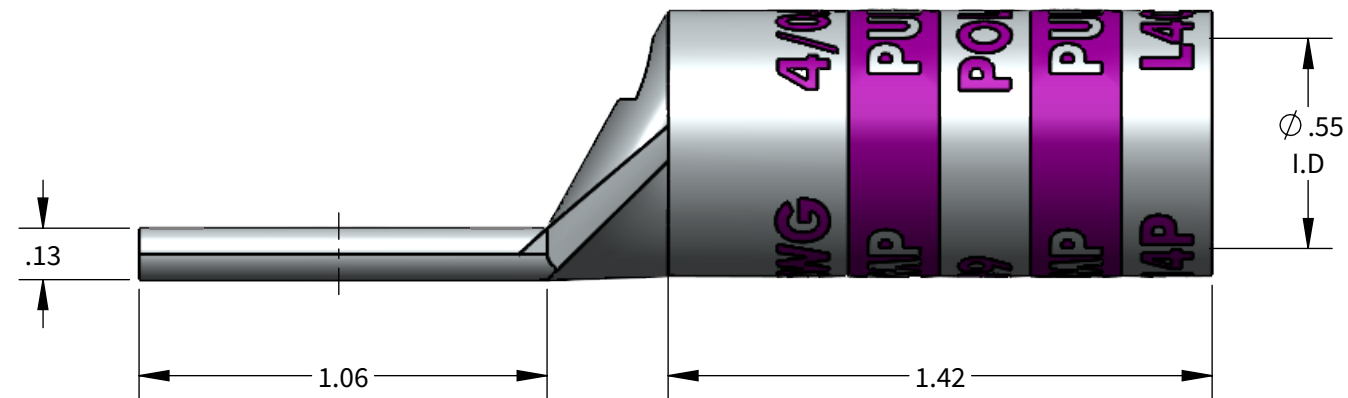
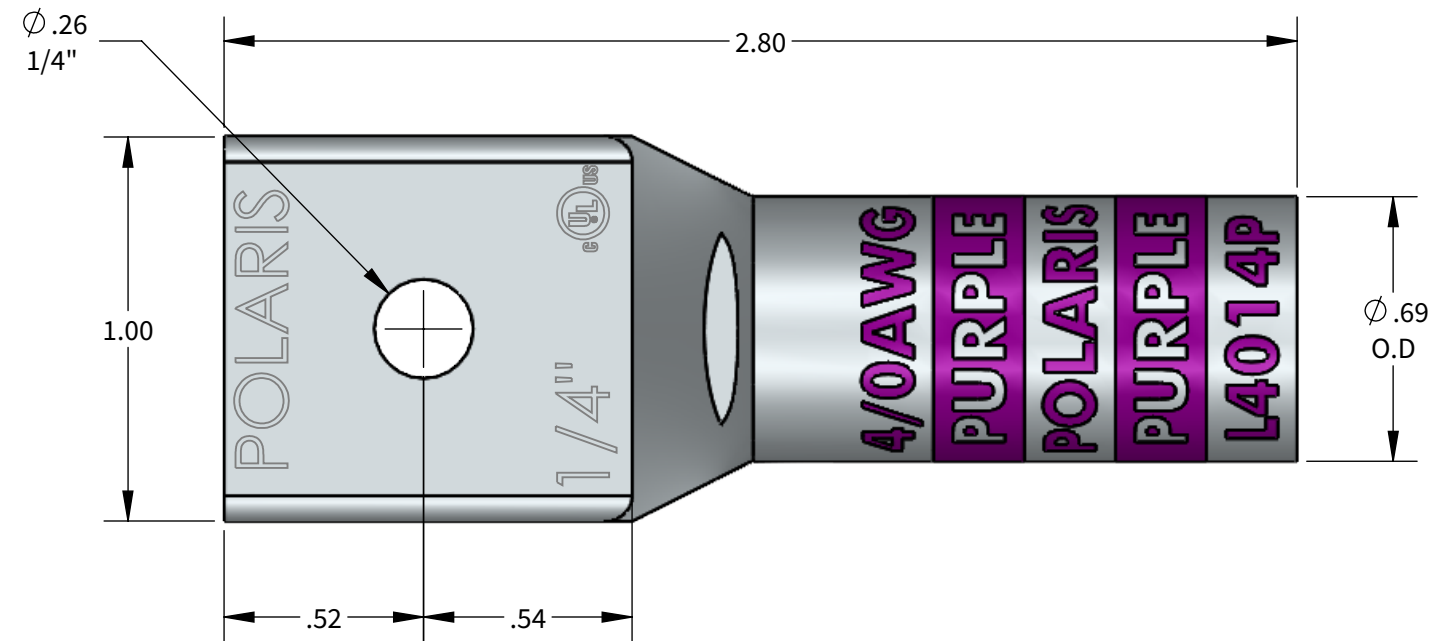
L Series: L4014P



| | |
|------------|------------|
| PROGRAM: | SOLIDWORKS |
| UPDATED: | 4/2022 |
| SALES REV: | A |
| SIZE: | B (11x17) |



SCALE 2:1



COPPER COMPRESSION CONNECTOR TOOL AND DIE CHART (# OF CRIMPS)

| WIRE SIZE | STRIP LENGTH | DIE COLOR | EXPANDED WIRE RANGE W/N12ID | NSI | | | GREENLEE | | ILSCO | BURNDY | T&B | HUSKIE | |
|-----------|--------------|-----------|-----------------------------|--------------|----------|------------|--------------|------------|----------------------|---------------------|-----------------|------------|----------|
| | | | | N1240 SERIES | NSI-12 | NSI-12 | 1240 SERIES | | ILC-12/ILC-15 SERIES | Y-35, Y750, PAT 750 | TBM-15, TBM-14M | EP510C | |
| 4/0AWG | 1-1/2" | PURPLE | 4/0AWG-#1AWG | KC12-4/0 (2) | CD12 (4) | HT41BC (4) | KC12-4/0 (2) | ILD-10 (4) | KC12-4/0 (2) | U28RT (4) | 15511 (4) | HT41BC (4) | CD12 (4) |

