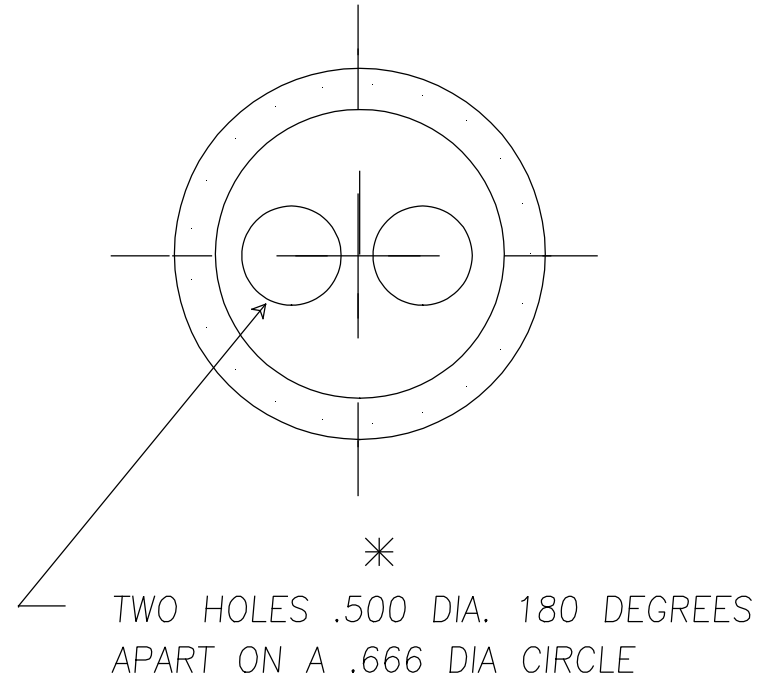
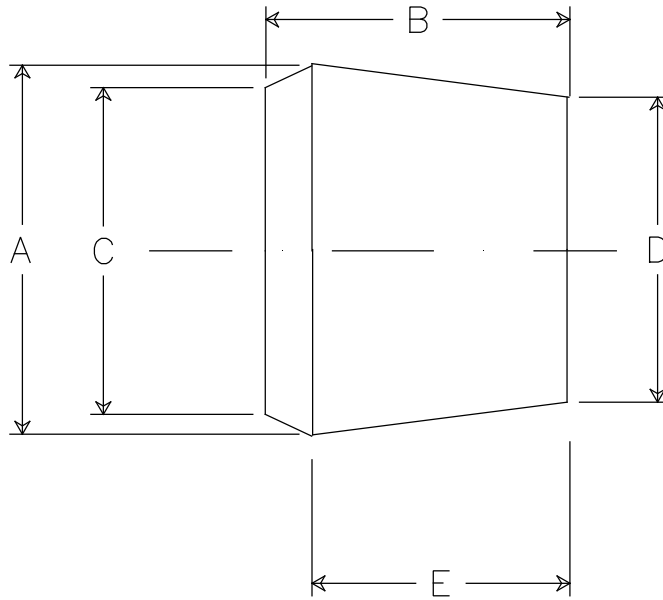


DIMENSIONS

- A 1.843 \*
- B 1.125 \*
- C 1.625
- D 1.500
- E 1.000



NOTES:

1. ANGULAR TOLERANCE  $\pm 1/2$  DEGREE
2. FLASH TO BE HELD TO A MINIMUM AND MAY NOT WEB ACROSS HOLE DIA.
3. 1D/OD CONCENTRICITY WITHIN .020
4. ALL OTHER DIM  $\pm .015$

REV. A 9/21/00 ADDED NOTES 1 THRU 4

**REMKE INDUSTRIES**  
Wheeling, Illinois 60090  
SCALE: APPROX FULL  
MATERIAL: NEOPRENE 50-60 DUROMETER  
FINISH: NATURAL BLACK  
PART NAME: BUSHING  
PART NUMBER: SRB-508-2  
DRAWING DATE: 971010