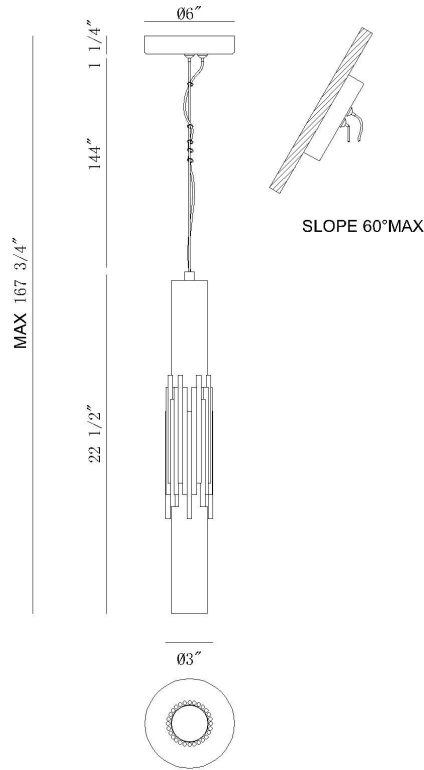


JOB NAME:

DATE:

TYPE:

COMMENTS:



## LIGHT INFORMATION

Light Type	Integrated LED
CRI	90
Delivered Lumens	790
Color Temperature	3000K
LED Lifespan (L70)	52000
Light Direction	Multi
Dimming Method	Triac/Elv
Current Type	DC
Input Voltage	120-277
Total Wattage	25

## DIMENSIONS & WEIGHT

Height (In)	22.5
Min Height (In)	33.75
Max Height (In)	167.75
Diameter (In)	3
Weight (Lbs)	11.73

## INSTALLATION

Mounting Type	J-Box
Rating	Dry
Hanging Support Type	Aircraft Cable

## PRODUCT FINISH

Urban Bronze

## SHADE FINISH

Alabaster

## PRODUCT FEATURES

This product is crafted from natural stone; inherent variations in color, pattern, and texture are to be expected.

## CERTIFICATIONS & COMPLIANCE

