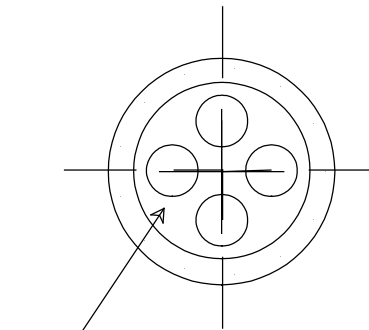
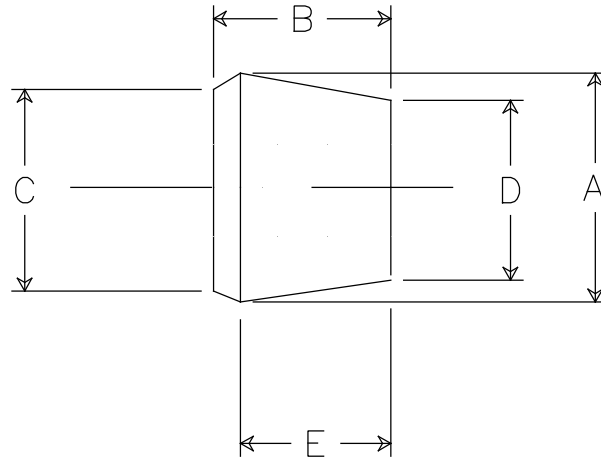


DIMENSIONS

- A 1.125
- B 0.875
- C 1.031
- D 0.875
- E 0.750



FOUR .250 DIA HOLES EVENLY SPACED ON A .450 DIS. CIRCLE

HOLE SIZE $\pm .010$

NOTES:

- 1.0 ANGULAR TOLERANCE $\pm 1/2$ DEGREE
- 2.) FLASH TO BE HELD TO A MINIMUM AND MAY NOT WEBB ACROSS HOLE DIA.
- 3.) 1D/OD CONCENTRICITY WITHIN .20
- 4.) ALL OTHER DIM $\pm .015$

REV. A 5-30-00 ADD NOTE ON TOLERANCE

REMKE INDUSTRIES
Wheeling, Illinois 60090

SCALE: APPROX FULL
MATERIAL: NEOPRENE 50-60 DUROMETER
FINISH: NATURAL BLACK
PART NAME: BUSHING
PART NUMBER: SRB-204-4
DRAWING DATE: 981215