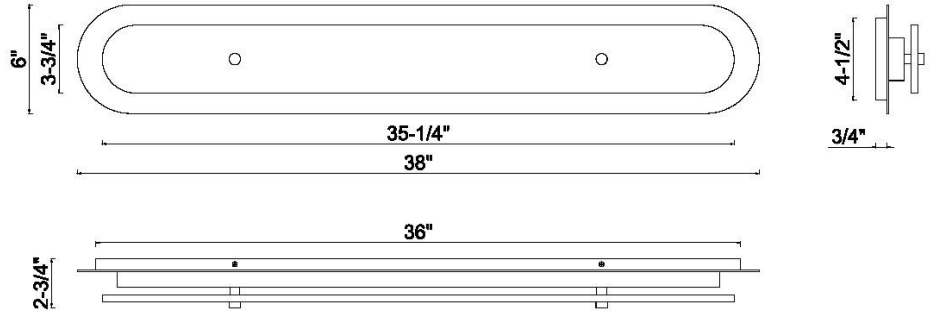


JOB NAME:

DATE:

TYPE:

COMMENTS:



## LIGHT INFORMATION

Light Type	Integrated LED
CRI	90
Delivered Lumens	2586
Color Temperature	3000K
LED Lifespan (L70)	52000
Light Direction	Ambient
Dimming Method	Triac/Elv
Current Type	AC
Input Voltage	120
Total Wattage	40

## DIMENSIONS & WEIGHT

Width (In)	6
Height (In)	38
Ext (In)	2.75
Weight (Lbs)	14.99

## INSTALLATION

Mounting Type	J-Box
Rating	Wet
Hanging Support Type	J-Box

## PRODUCT FINISH

Powder Coat Black

## SHADE FINISH

Silver Glass

## CERTIFICATIONS & COMPLIANCE

