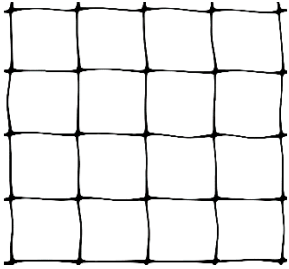

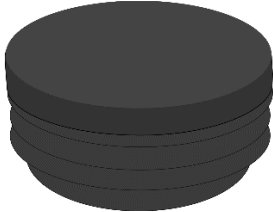

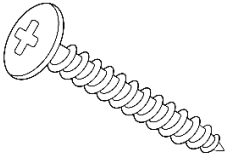
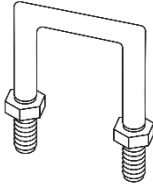
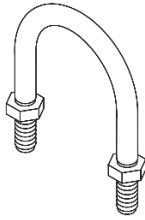


# Poly Fence Extension Kit Installation Instructions

## HARDWARE PARTS

<b>A</b> <b>QTY: 1 roll per 100 ft</b>  Poly Fence (See below for measurements)	<b>B</b> <b>QTY: 1 pk per 100 ft</b>  8" High Strength Nylon Self-Locking Ties – 100pk SKU: DE2854	<b>C</b> <b>QTY: 12 per 100 ft</b>  Black Vinyl Cap Insert for 1 3/8" Post SKU: DE8088	<b>D</b> <b>QTY: 12 per 100 ft</b>  Fence Extension Post (See below for measurements)
--	---	--	--

<b>Hardware for WOOD/SPLIT RAIL/VINYL</b>	<b>Hardware for DECORATIVE METAL</b>	<b>Hardware for CHAINLINK</b>
---	--------------------------------------	-------------------------------

<b>E</b> <b>QTY: 48 per 100 ft</b>  Truss Head Screw #10 x 1.25"	<b>E</b> <b>QTY: 24 per 100 ft</b>  Square U-Bolt 5/16" x 2" x 3"	<b>E</b> <b>QTY: 24 per 100 ft</b>  U-Bolt Round 5/16" x 2" x 3"
---	--	---

### Recommended Tools (not included)

Cutter Puller Tool for Self-Locking Ties, SKU: DE2864

Power Drill with Phillips Bit

Socket Wrench 5/16" or Adjustable wrenches

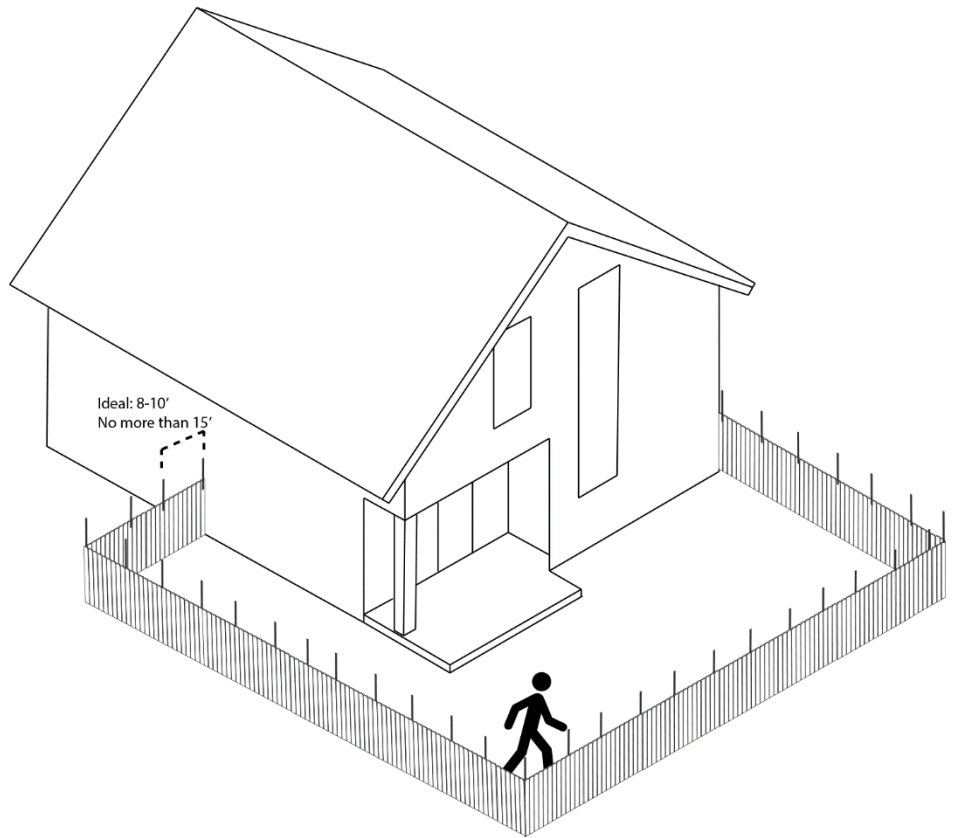
3' Extension Kit				4' Extension Kit		
	Qty	Pipe Measurement	SKU	Qty	Pipe Measurement	SKU
<b>Fence Mesh (A)</b>	1 roll per 100 ft	4' x 100' Heavy Duty Poly Fence	C804100	1 roll per 100 ft	4' x 100' Heavy Duty Poly Fence	C804100
<b>Extension Post (D)</b>	12 per 100 ft	36" Fence Extension Post	DE8164-42	12 per 100 ft	48" Fence Extension Post	DE8164-54

**Note:** If you selected the optional Gate Kit, you receive two (2) extra **FENCE EXTENSION POST (D)** and corresponding amount of **HARDWARE (E)** based off fence type: eight (8) screws for **WOOD/SPLIT RAIL/VINYL** or four (4) U-bolts for **DECORATIVE METAL/CHAINLINK**.

# Poly Fence Extension Kit Installation Instructions

1. Determine the spacing of your **EXTENSION POSTS (D)**. We recommend spacing every 8'-10' apart but no more than 15' apart.

1.

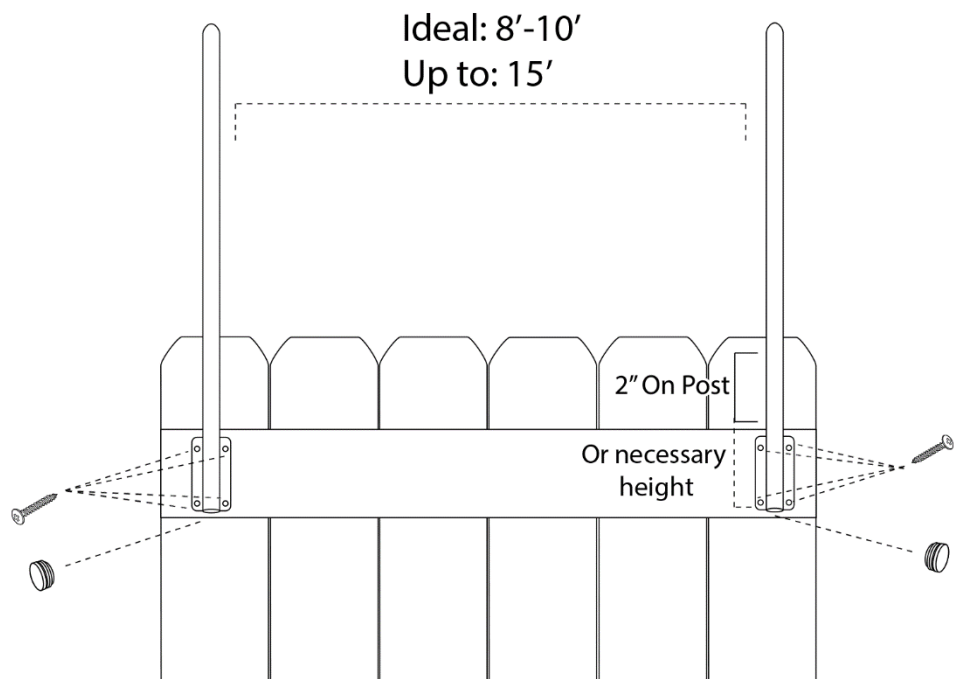


2. On the **INSIDE** of your fence line, attach the **EXTENSION POSTS (D)** to your existing fence posts using the **HARDWARE (E)** designated for your fence type. Mount the plate of the **EXTENSION POST (D)** at least 2" below the top of your existing post. Once attached insert the **VINYL CAP (C)** into the open bottom of extension post.

**Note:** Hardware will be dependent on which kit you purchased. You can mount the **EXTENSION POST (D)** at different heights to accommodate your specific needs.

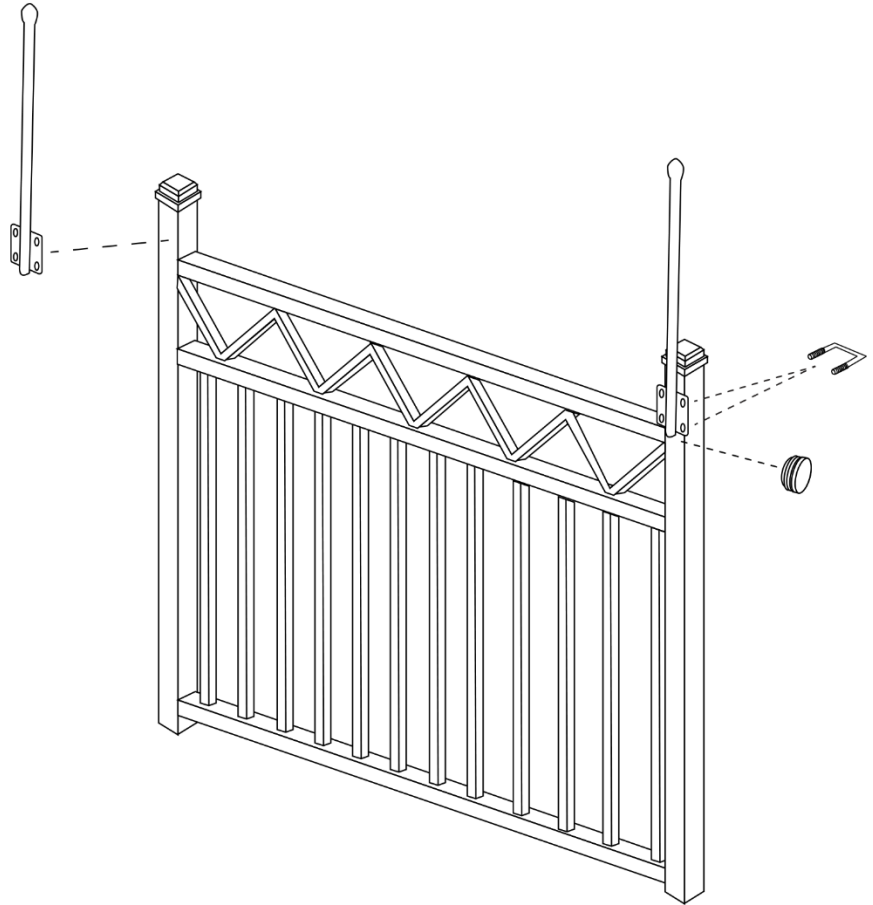
## FOR WOOD/SPLIT RAIL/VINYL

2.



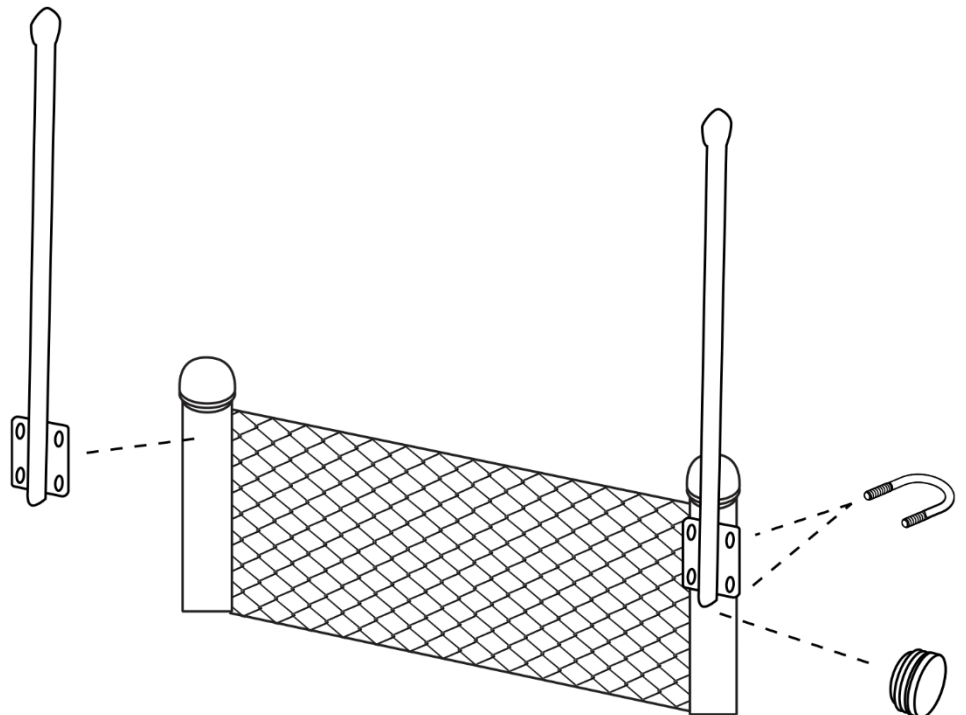
**FOR DECORATIVE METAL**

**2.**



**FOR CHAINLINK**

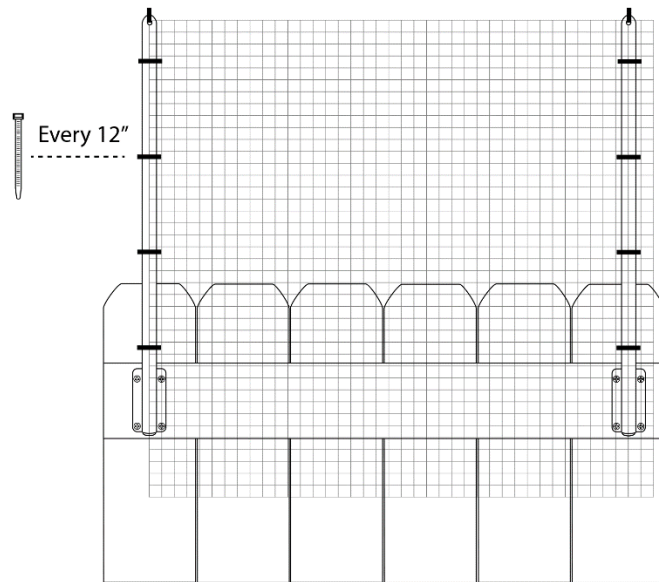
**2.**



3. On the **INSIDE** of your fence line, starting at the first **EXTENSION POST (D)**, attach the **FENCE MESH (A)** to each **EXTENSION POST (D)** every 12" along the post using the **SELF-LOCKING TIES (B)**. Repeat this step for all remaining **EXTENSION POSTS (D)**.

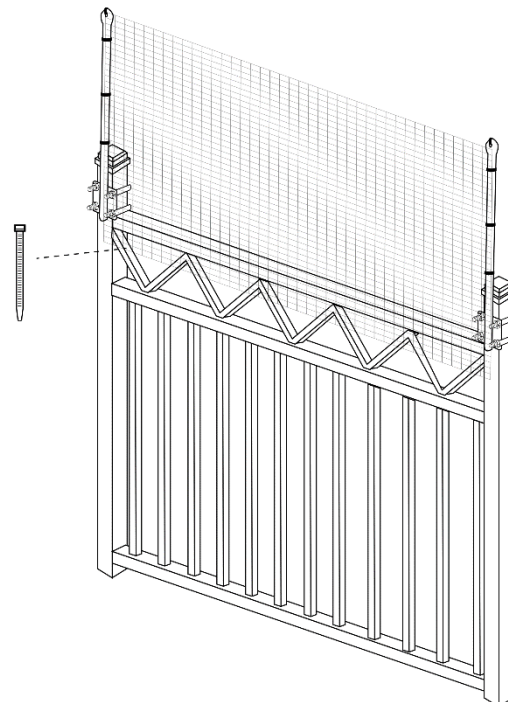
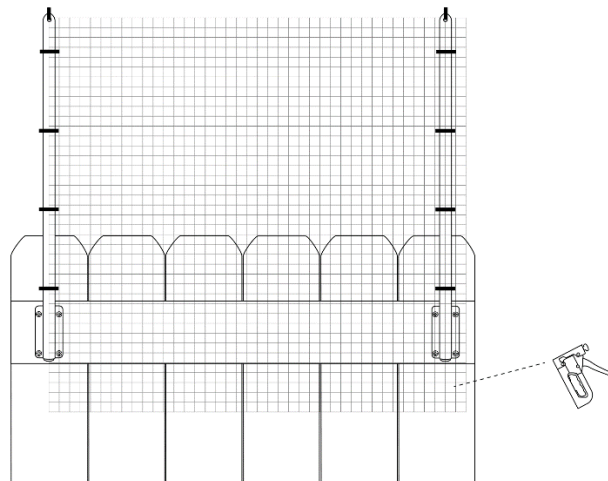
**Note:** Be sure to attach the fencing to the top of the extension by threading a **SELF-LOCKING TIE (B)** through the hole located at the top of the **EXTENSION POST (D)**.

3.



4. Tack down the bottom portion of the **FENCE MESH (A)** using **staples (sold separately)** for wood/split rail/vinyl fencing or **additional zip ties (sold separately)** for decorative metal and chain link.

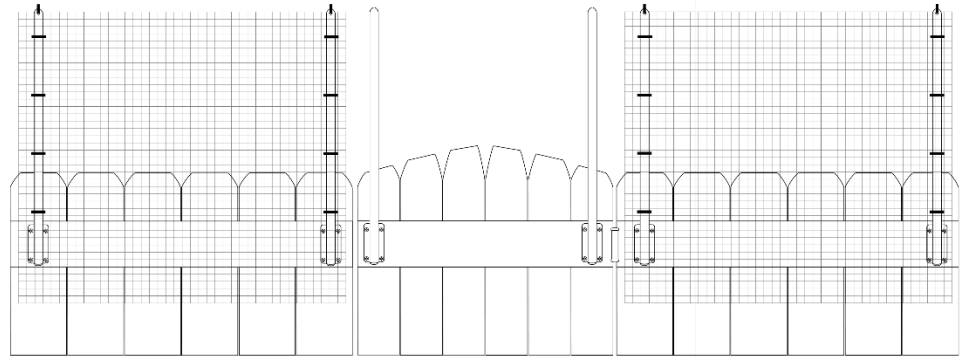
4.



## Optional: Extension Kit Gate Instructions

1. When attaching your **EXTENSION POST (D)** in **STEP 1**, make sure to attach one post on either side of the door gate. Attach the extra two **EXTENSION POSTS (D)** in your gate kit to the gate door itself.

**1.**



2. Using a section of **FENCE MESH (A)** cut to the size of the gate door, attach the **FENCE MESH (A)** to the **EXTENSION POST (D)** on the gate door every 12" along the post using the **SELF-LOCKING TIES (B)**.

**2.**

