

MECHANICAL CONNECTORS

BUILT FOR STRENGTH, RELIABILITY AND EFFICIENCY

Polaris Mechanical Connectors are the easy choice for professionals who need reliable, durable performance. Our comprehensive line of mechanical connectors bring the high standards of Polaris to several new categories, making cost-effective connections that are quick to install and built to last.



A SOLUTION FOR YOUR APPLICATION

Polaris Mechanical Connectors are a simple solution to your connectivity needs, forming secure and robust connections between multiple wires. These highly-conductive, versatile, dual-rated connectors are available in a variety of configurations including aluminum and copper lugs, IPCS, neutral assemblies, terminal blocks, split bolts and distribution blocks. Polaris connectors are built from superior materials and designed to excel in demanding installations.

DESIGNED FOR EASY INSTALLATION

Mechanical connectors are a cost-effective and extremely durable choice for a huge range of installations, forming secure joins for multiple wires in a single junction. Each style of connector, from our dual-rated lugs to our reliable distribution blocks, was designed with installers in mind. Work faster without compromising quality when you install Polaris Mechanical.



Scan for more
information

MULTIPLE CONFIGURATIONS

**ALUMINUM
CONNECTORS**



**COPPER
CONNECTORS**



**SPLIT BOLT
CONNECTORS**



**INSULATION
PIERCING**



**NEUTRAL
ASSEMBLIES**



**NON-METALLIC
CONNECTORS**

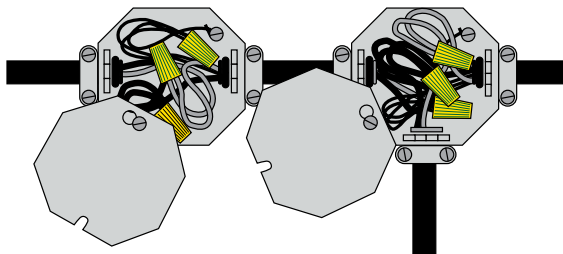


SPLICES AND TAPS - NMS, NMT SERIES

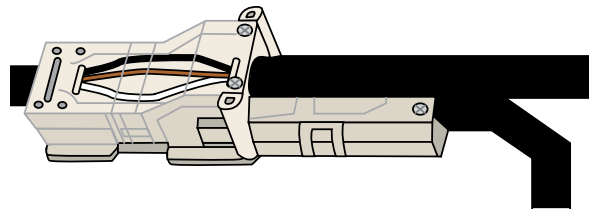
FEATURES

- The NSi NM Splice & Tap method provides a fast and reliable way to connect 12 and 14 AWG circuits using non-metallic (NM) cable. It eliminates the need for junction boxes, covers, fittings, connectors – and is approved for use in a variety of applications including: residential branch circuits, manufactured housing and pre-fabricated building structures. When adding new circuits in residential applications, NM connectors eliminate both the need to cut into the existing wiring and the extra junction boxes and associated hardware required for the tap connection.
- In factory installations within pre-fabricated structures, the NM connectors eliminate costly time-consuming on-site wiring. As individual modules are joined, splices and taps are simply snapped together easily by assembly crews with no special training or tools.
- Termination is easy. Split the cable, remove the sheathing and cut the splice conductors to length (if necessary). With the tap, individual conductors do not need to be stripped, only exposed. Clear cover installation is done with slip-joint pliers. The installation displacement contacts eliminate the need to strip individual conductors. Simply plug the connectors together and the installation is complete.
- Compliant with 2014 NEC 334.40 (A) (B).

CONVENTIONAL TAPPING METHOD



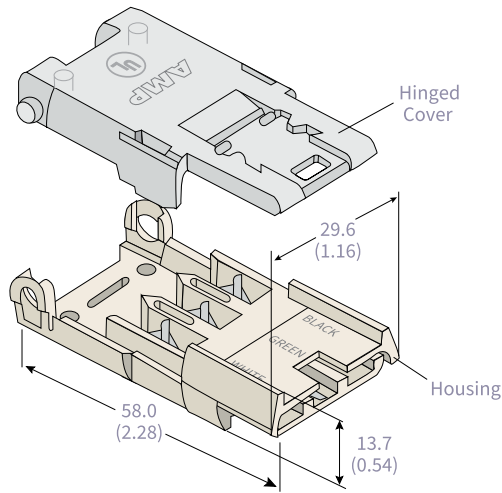
NSI NM SPLICE & TAP METHOD



NON-METALLIC MECHANICAL CONNECTOR

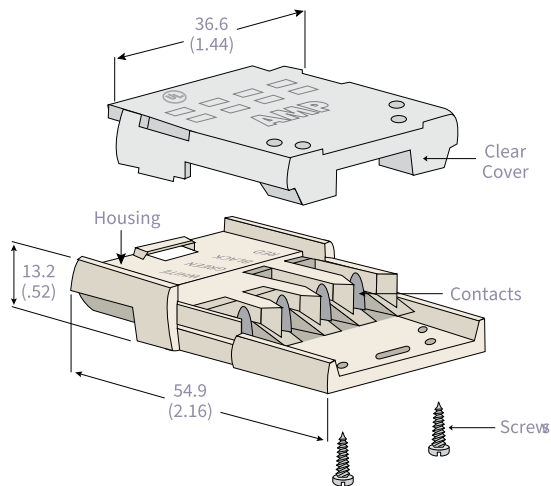
CATALOG NUMBER	WIRE RANGE	KIT DESCRIPTION	STD. CTN. QTY.
NMS-2	12 - 14 AWG	SPLICE FOR 2-CONDUCTOR CABLE WITH GROUND	12 - 14 AWG
NMS-3	12 - 14 AWG	SPLICE FOR 3-CONDUCTOR CABLE WITH GROUND	12 - 14 AWG
NMT-2	12 - 14 AWG	SPLICE AND TAP KIT FOR 2-CONDUCTOR CABLE	12 - 14 AWG

SPECIFICATIONS



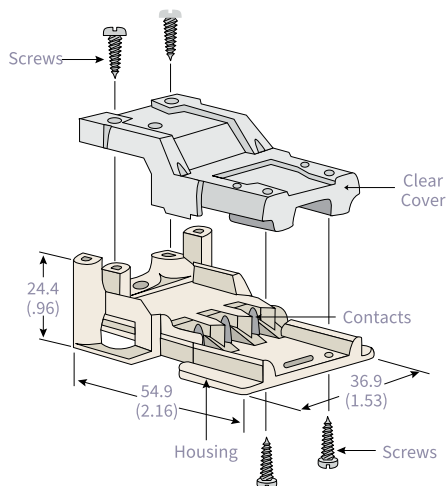
NMS - 2 (SPLICE)

For splicing 12 or 14 awg solid conductor, 2-conductor cable with ground. Hinged cover makes termination fast and easy. The NMS-2 kit includes everything required to make a two conductor splice.



NMS - 3 (SPLICE)

For splicing 12 or 14 awg solid conductor, 3-conductor cable with ground. The NMS-3 kit includes everything required to make a three conductor splice.



NMT - 2 (TAP)

For tapping into 12 or 14 awg solid conductor 2-conductor cable with ground. The NMT-2 kit includes everything required to complete a two conductor tap.

MAKING — the — CONNECTION



Scan for more
information



MECHANICAL CONNECTORS

