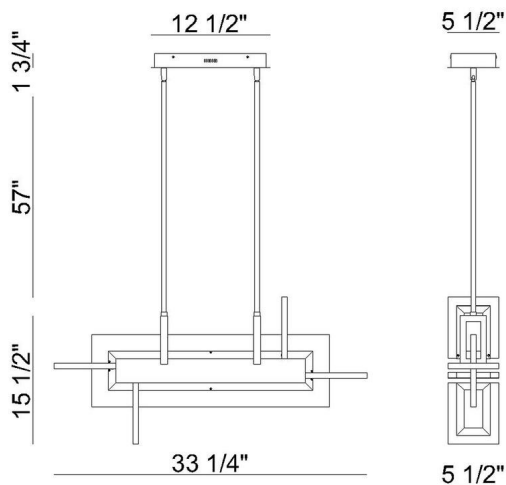
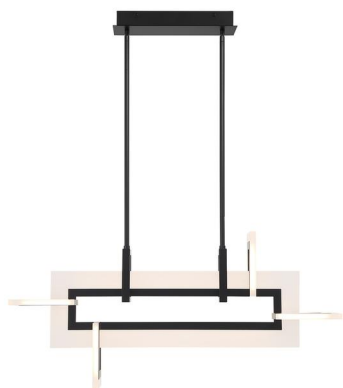


JOB NAME:

DATE:

TYPE:

COMMENTS:



LIGHT INFORMATION

Light Type	Integrated LED
CRI	90
Delivered Lumens	2086
Color Temperature	3000K
LED Lifespan (L70)	20000
Number of Lights	5
Light Direction	Ambient
Dimming Method	Triac/Elv
Current Type	DC
Input Voltage	120
Total Wattage	46

DIMENSIONS & WEIGHT

Length (In)	33.25
Width (In)	5.5
Height (In)	15.5
Min Height (In)	20.25
Max Height (In)	74.25
Weight (Lbs)	10.01

PRODUCT FINISH

Matte Black

CERTIFICATIONS & COMPLIANCE



INSTALLATION

Mounting Type	J-Box
Rating	Dry
Hanging Support Type	Rod