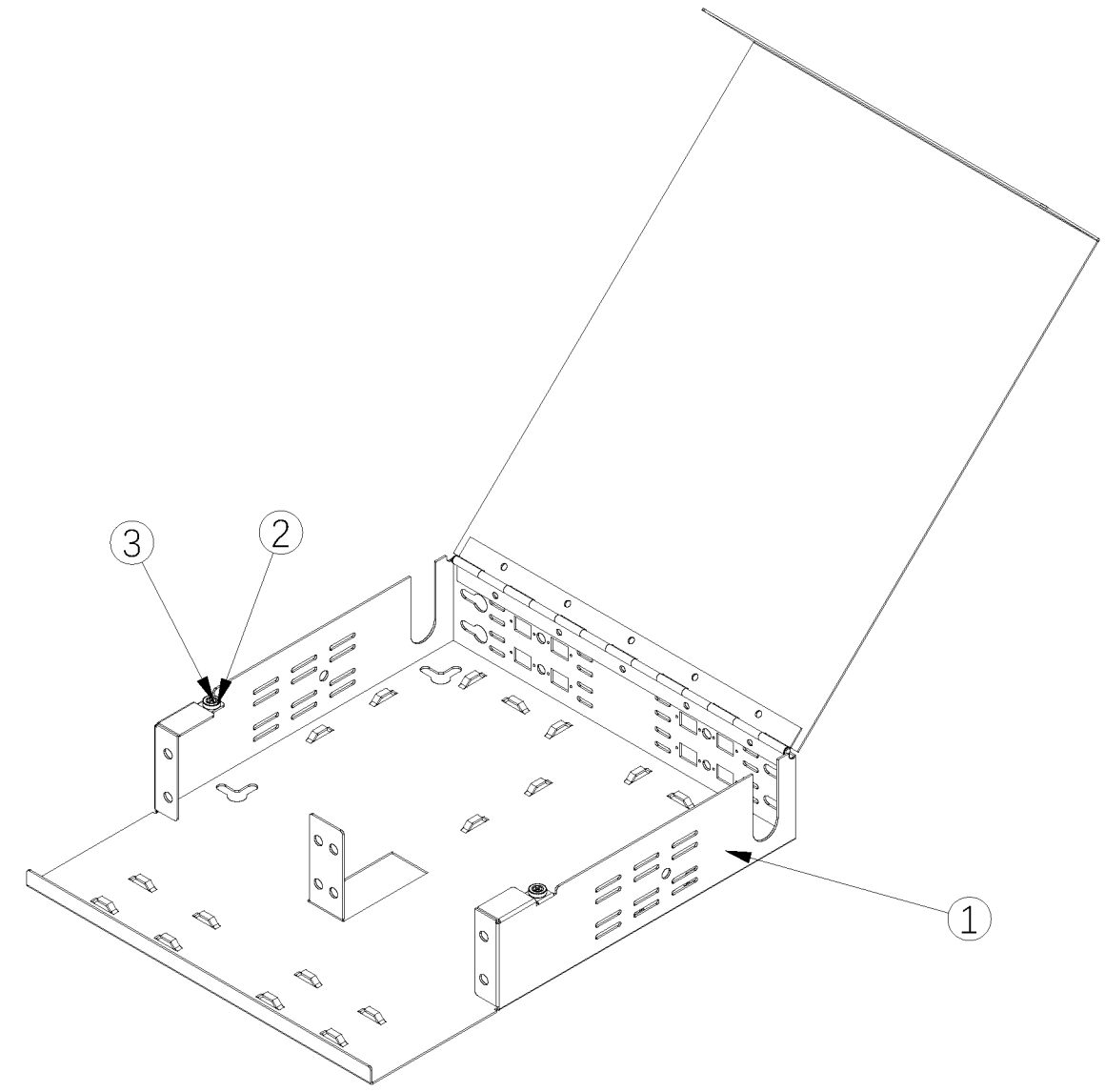
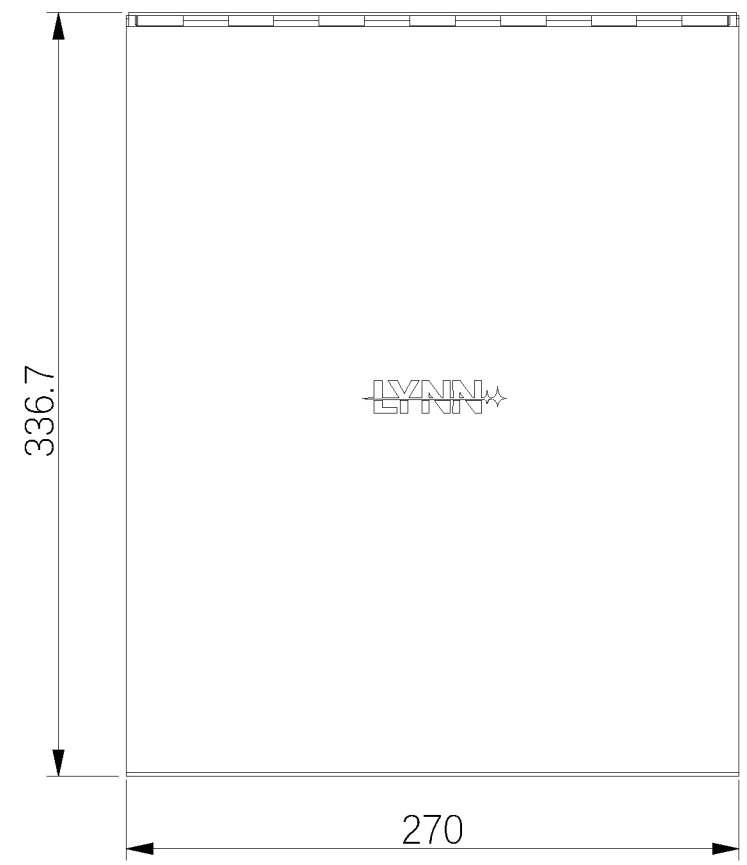
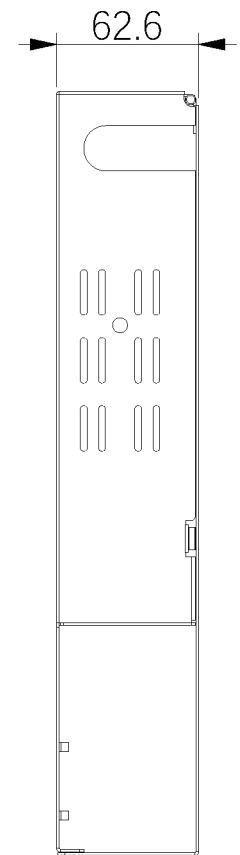
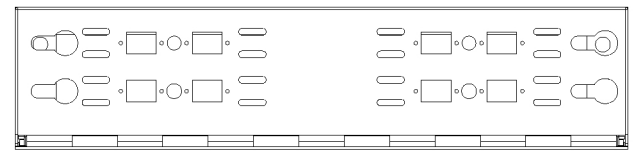

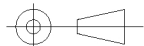


REV	ECN NO.	CHANGE CONTENT	SIGNATURE	DATE
A1		First Issued		
A2				20220923



Note:
 1.Material: SPCC
 2.Finish:Black Powder Coat.

		SIGNATURE	DATE			
DRAWN			2023-03-20	MAT'L	/	PRODUCT NO. FPP-04-W-19
CHK'D			2023-03-20	UNITS	mm	PRODUCT NAME Choice space saving wall mount fiber patch panel, will accept 4 adaptors panels. Black
PROCESS			2023-03-20	SCALE	3:10	DRAWING NO. FPP-04-W-19
APPV'D			2023-03-20	TYPE OF PROJECTION		SHEET 1 OF 1 REV A2