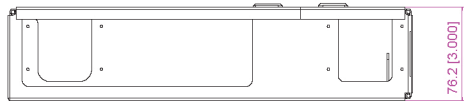


1 2 3 4 5 6

A

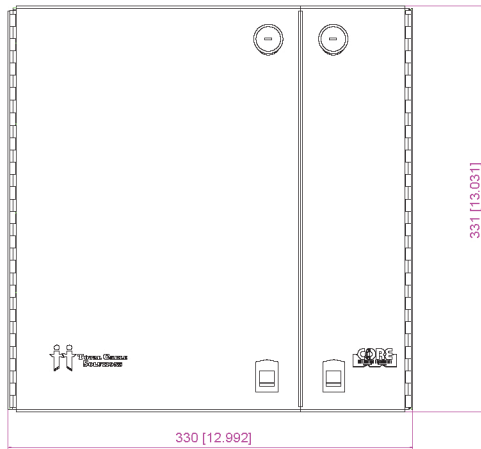
A



76.2 [3.000]

B

B

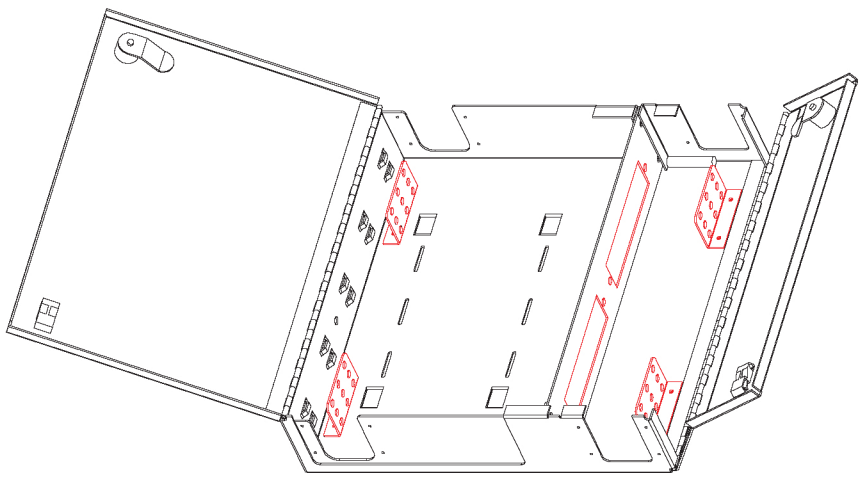


331 [13.031]

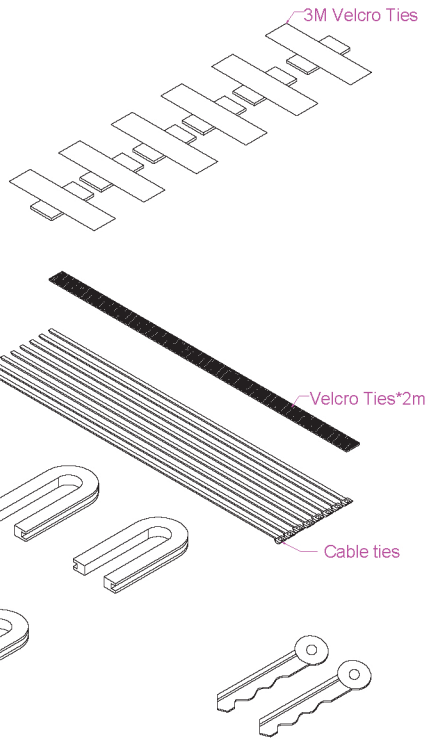
330 [12.992]

C

C



Material: SPCC/1.5mm with Black Color Painting



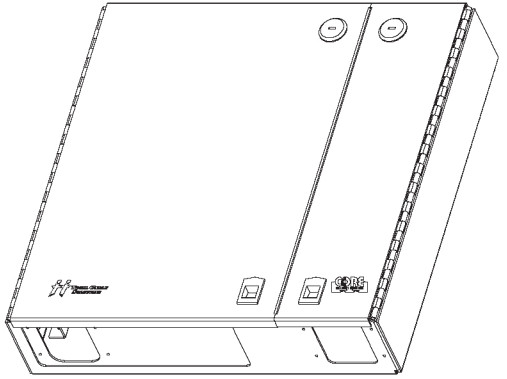
3M Velcro Ties

Velcro Ties*2m

Cable ties

D

D

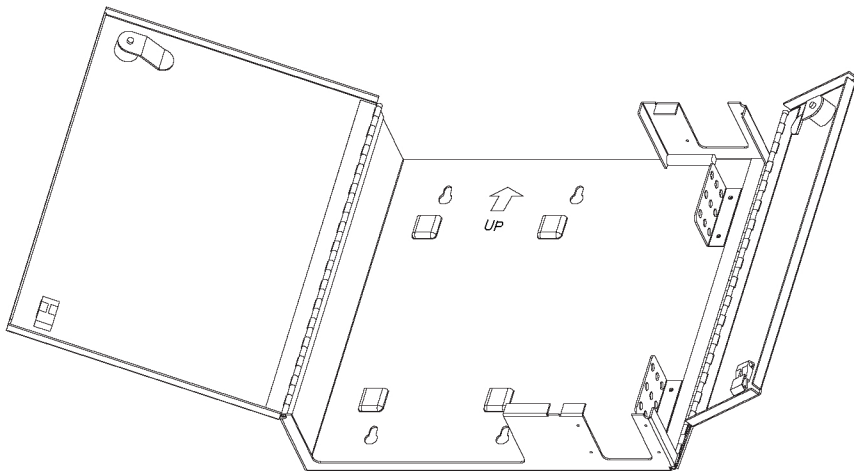
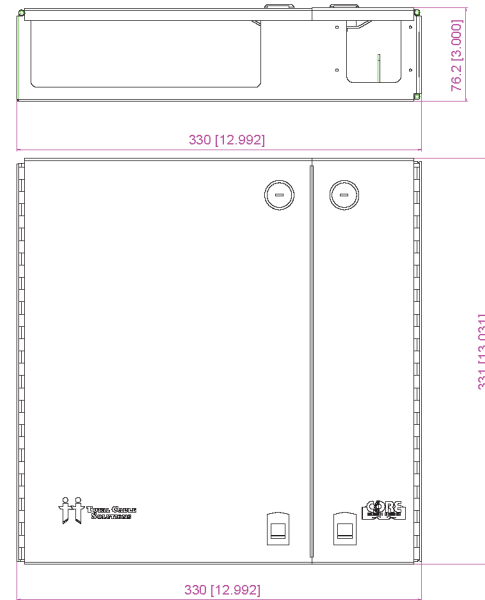
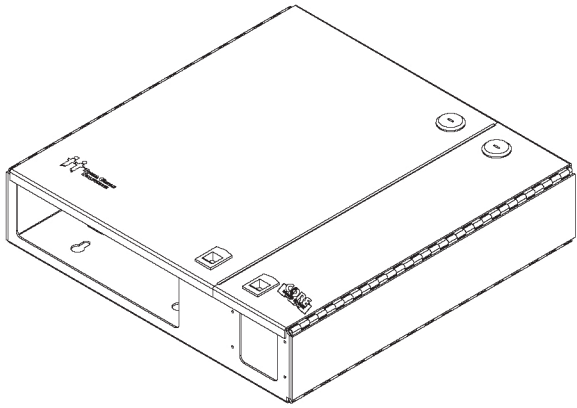


1 2 3 4 5 6

	TOLERANCE	
	INCH	MM
.X	.015	.30
.XX	.010	.10
.XXX	.005	.05



DRAWN BY	C.HOSKINS	P/N: FPP-02-W-31				
CHECK BY	T.HODSON	SCALE	1:1		REV	A.4
		UNIT	MM			
APPD BY	C.HOSKINS	SHEET	1/1	DWG NO:		
		DATE	30-08-2017			

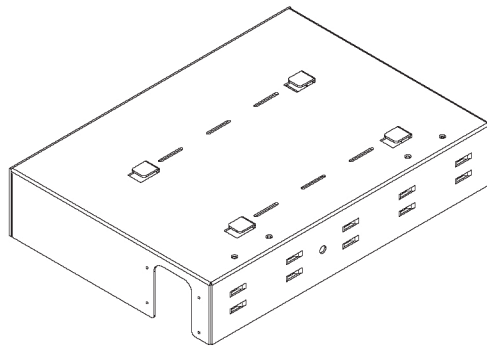
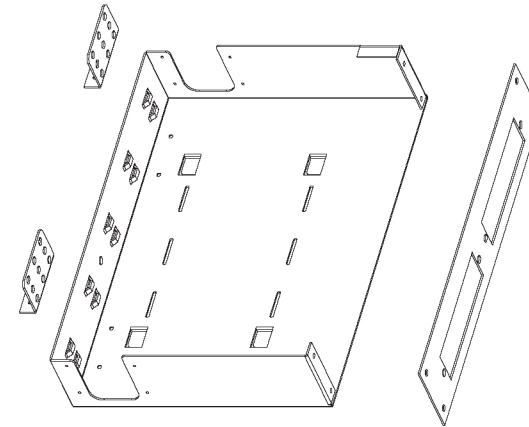
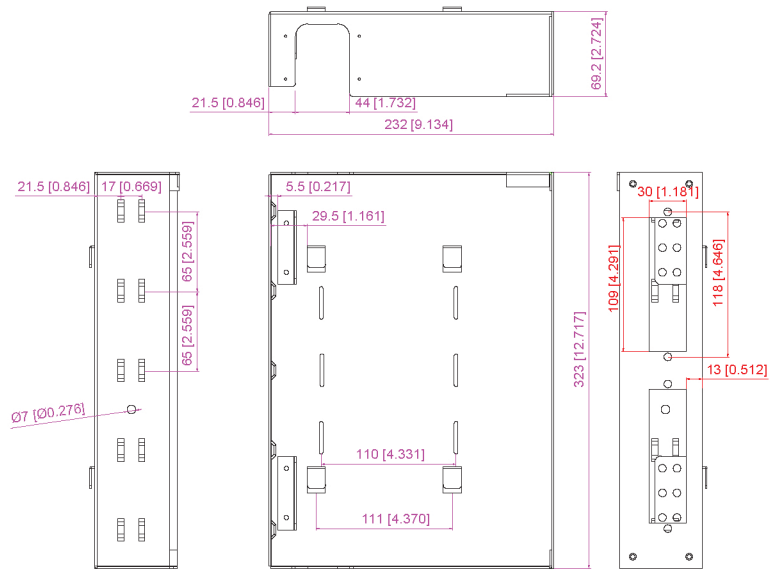


Material: SPCC/1.5mm with Black Color Painting

TOLERANCE		
	INCH	MM
.X	.015	.30
.XX	.010	.10
.XXX	.005	.05




DRAWN BY	C.HOSKINS	P/N: FPP-02-W-31				
CHECK BY	T.HODSON	SCALE	1:1		REV	A.4
		UNIT	MM			
APPD BY	C.HOSKINS	SHEET	1/1	DWG NO:		
		DATE	30-08-2017			



Material: SPCC/1.5mm with Black Color Painting

	TOLERANCE	
	INCH	MM
.X	.015	.30
.XX	.010	.10
.XXX	.005	.05



DRAWN BY	C.HOSKINS	P/N: FPP-02-W-31				
CHECK BY	T.HODSON	SCALE	1:1		REV	A.4
		UNIT	MM			
APPD BY	C.HOSKINS	SHEET	1/1	DWG NO:		
		DATE	30-08-2017			