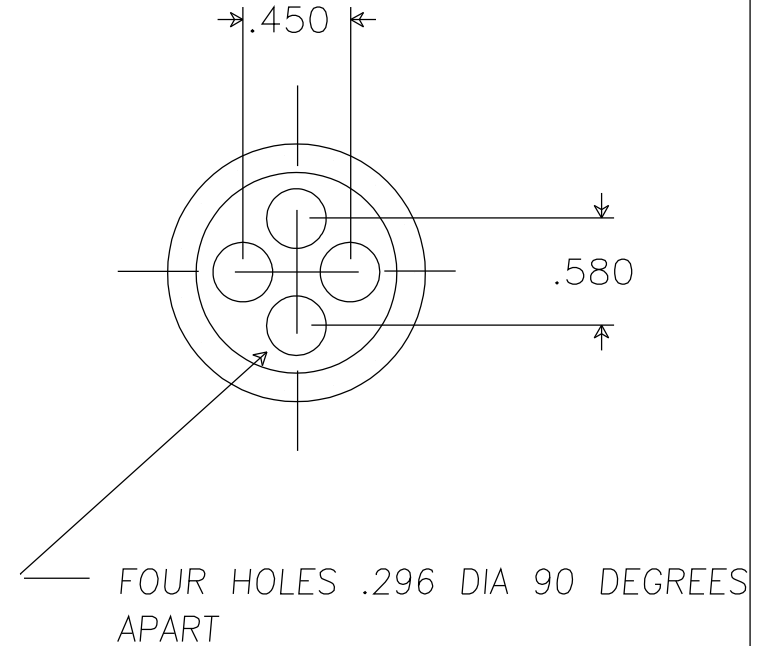
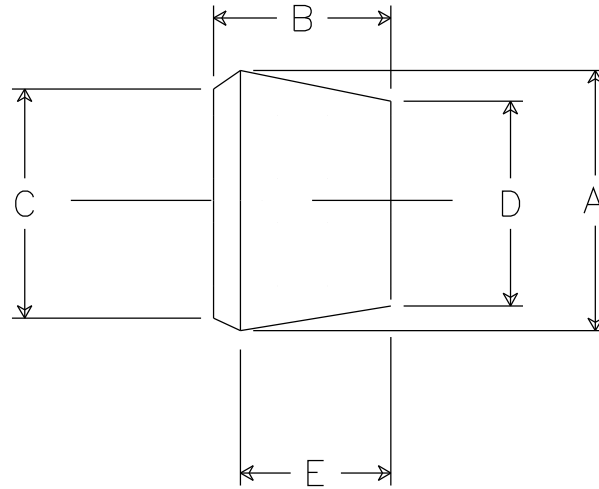


DIMENSIONS

A	1.281	*
B	0.875	*
C	1.156	*
D	1.031	
E	0.750	



NOTES:

- 1.0 ANGULAR TOLERANCE $\pm 1/2$ DEGREE
- 2.) FLASH TO BE HELD TO A MINIMUM AND MAY NOT WEBB ACROSS HOLE DIA.
- 3.) 1D/OD CONCENTRICITY WITHIN .20
- 4.) ALL OTHER DIM $\pm .015$

* INDICATES CRITICAL INSPECTION

REMKE INDUSTRIES
 Wheeling, Illinois 60090

SCALE: APPROX FULL
 MATERIAL: NEOPRENE 50-60 DUROMETER
 FINISH: NATURAL BLACK
 PART NAME: BUSHING
 PART NUMBER: SRB-301964-4
 DRAWING DATE: 970708