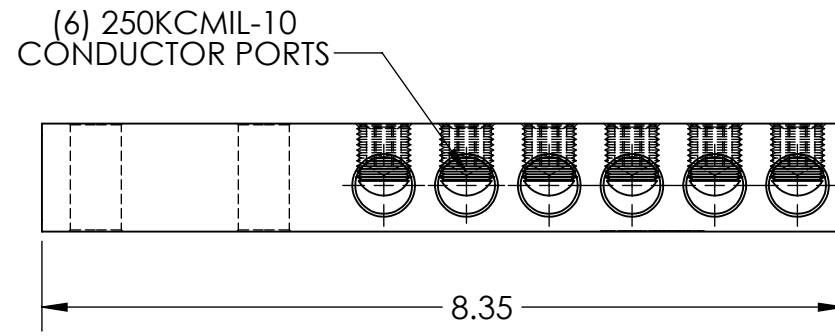
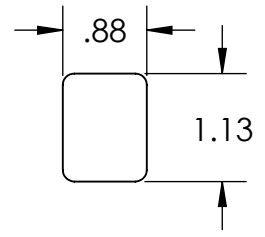
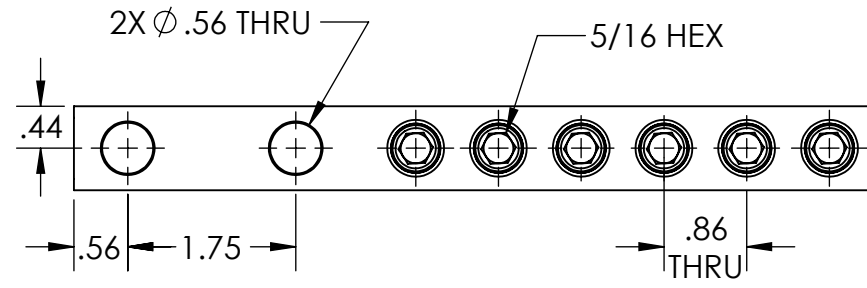
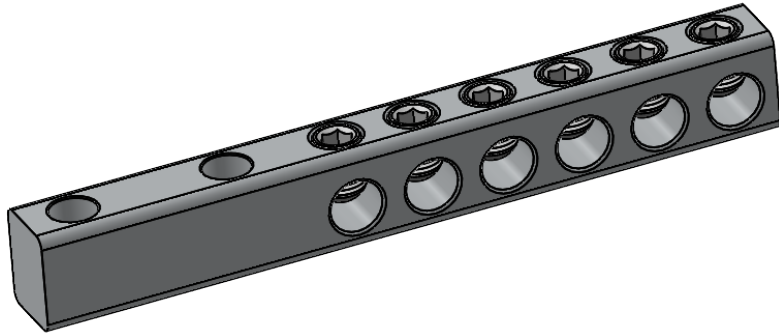


|                   |                 |
|-------------------|-----------------|
| <b>PROGRAM:</b>   | SOLIDWORKS      |
| <b>UPDATED:</b>   | 11/22/2024      |
| <b>SALES REV:</b> | A               |
| <b>SIZE:</b>      | A (8.5x11) (IN) |



**FEATURES:**

1. Material: Aluminum.
2. Class B/C compressed, concentric, and compact conductor only.
3. Dual rated AL-CU.