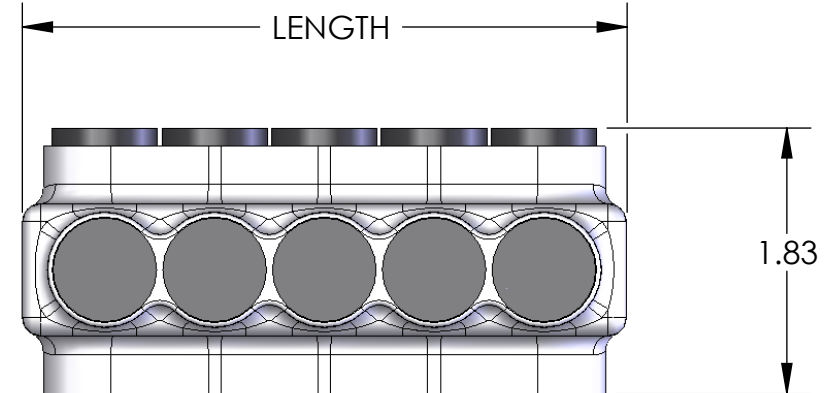
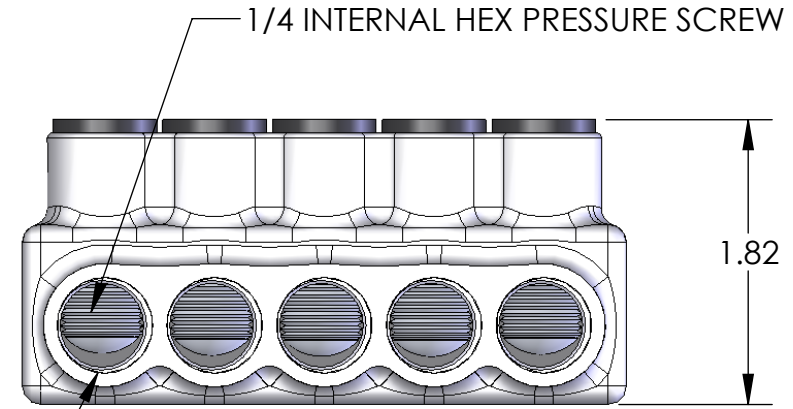
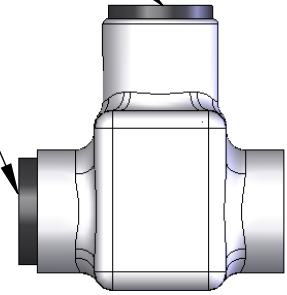


REMOVABLE CAP
TO TIGHTEN SCREW
(REPLACE WHEN COMPLETE)



IPLD3/0-5 SHOWN

REMOVABLE CAP
FOR DUAL ENTRY
(INSERT IN OTHER SIDE)



1/4 INTERNAL HEX PRESSURE SCREW

PART NUMBER	NO. OF PORTS	LENGTH
IPLD3/0-3	3	2.68
IPLD3/0-4	4	3.46
IPLD3/0-5	5	4.24
IPLD3/0-6	6	5.02
IPLD3/0-8	8	6.58
IPLD3/0-10	10	8.14
IPLD3/0-12	12	9.70

WIRE ENTRY POINT
WIRE RANGE: 3/0 - #6AWG
PRE-FILLED W/ OXIDE INHIBITOR

- NOTES:
1. CONNECTOR MANUFACTURED FROM 6061-T6 ALUMINUM ALLOY.
 2. UL LISTED PER UL486A/B SPECIFICATIONS FOR 600V.
 3. DUAL RATED FOR 90°C COPPER AND/OR ALUMINUM CONDUCTOR.
 4. COLD TEMPERATURE RATED TO -45°C.
 5. HIGH DIELECTRIC STRENGTH INSULATION IS ABRASION AND CHEMICAL RESISTANT
 6. UV RATED

		POLARIS SALES CO. INC	
PROPRIETARY AND CONFIDENTIAL		11625 PROSPEROUS DRIVE ODESSA, FL 33556	
THE INFORMATION CONTAINED IN THIS DRAWING IS THE SOLE PROPERTY OF POLARIS SALES CO. INC. ANY REPRODUCTION IN PART OR AS A WHOLE WITHOUT THE WRITTEN PERMISSION OF POLARIS SALES CO. INC. IS PROHIBITED.		TITLE: INSULATED DUAL ENTRY 3/0 CONNECTOR	
DRAWN BY	NAME	DATE	DWG. NO.
L. HILL		8-6-09	IPLD3/0-SERIES
MATERIAL: N/A		SCALE: N/A	SHEET: 1 OF 1