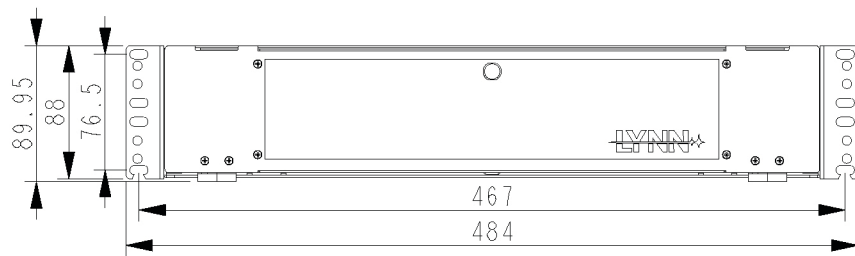
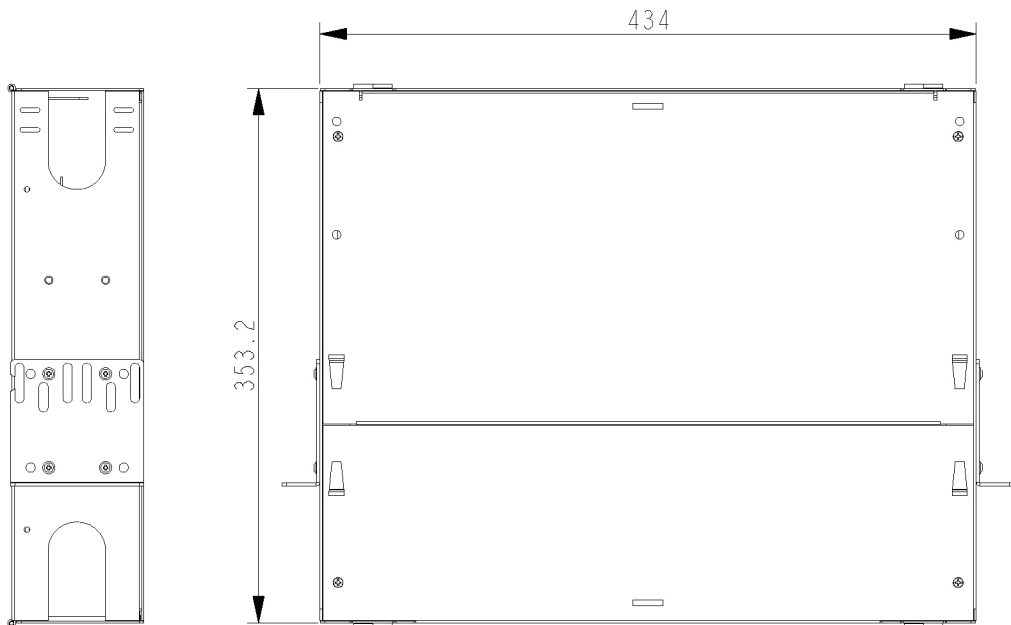
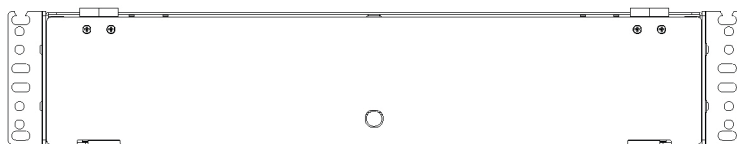
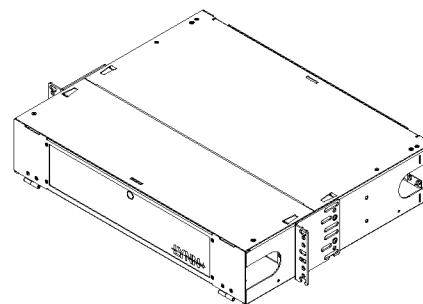


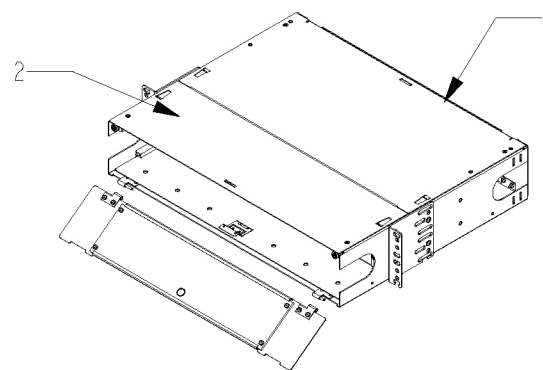
REV.	ECN	DESCRIPTION	SIGN	DATE
A4				2020-11-23
A5				2021-12-1



Materials: SPCC with black cold painting.



Rate: 1 : 10



Rate: 1 : 10

2		FPP-06-R2-04-V3-20001	SPCC T=1.5	I	
1	FPP-06-R2-04-V3-10000	FPP-06-R2-04-V3-10000	SPCC	I	
NO.	NAME	DESCRIPTION	MATERIAL	QTY	NOTE
DRAW	TAO LUO	A/R	1:5	PRODUCTS NO.	FPP-06-R2-04-V3
UNIT	mm	CHK		PRODUCTS NAME	FPP-06-R2-04-V3
REV.	A5	APR		PART NO.	
DATE	2019-10-25	MAT'L	SPCC		
FIG NO.:	FPP-06-R2-04-V3-00000				