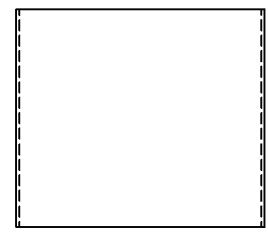
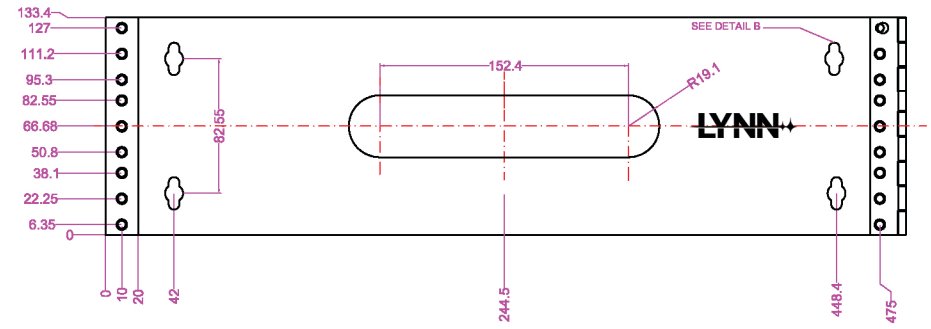


CHANGE		
MODIFICATION	DATE	SIGNATURE

TOP VIEW

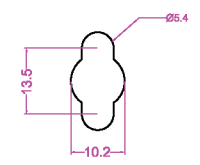
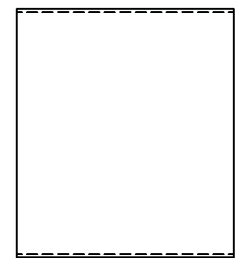
SIDE VIEW



LEFT VIEW

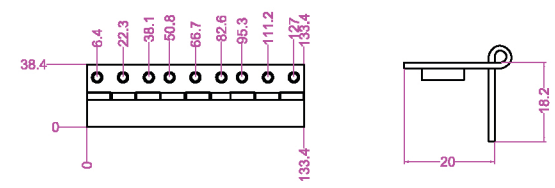
FRONT VIEW

SEE DETAIL B



SEE DETAIL A

SEE DETAIL A



Specification:

Material: 2.0mm/SPCC with black color painting
With black zinc nuts



PRODUCT NO	HB3	DESCRIPTION	3U Hinged bracket, 5.25X19X8 (inch)			AWG NO	
MATERIAL	SPCC T=2.0	UNIT	MM	SCALE	1:1	EDITI	A0
DIMENSIONAL TOLERANCE		THIRD ANGLE PROJECTION		DRAWN		DATE	05/12/2017
X.X	±0.3		CHECK		DATE		
X.XX	±0.10		APPROVAL		DATE		
X.XXX	±0.050						
ANGLE	±1°						