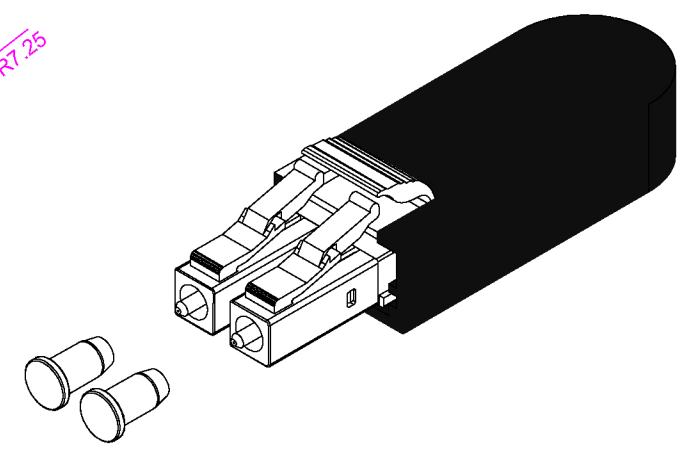
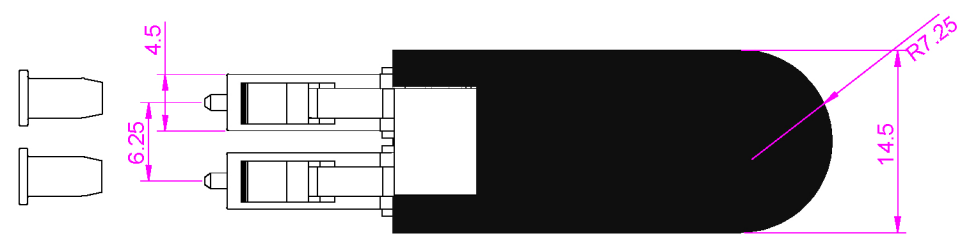
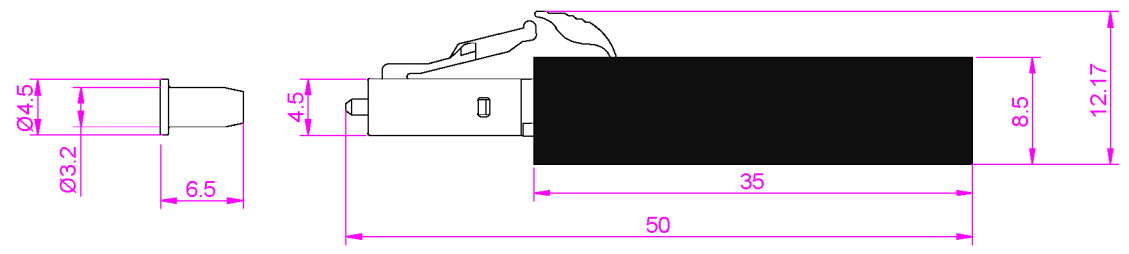


REV	MODIFICATION	UPDATE DATE	SIGNATURE



**Specification:**

1.Attenuation:SM Blue(UPC),SM Green(APC)

2.Attenuation Tolerance:

Attenuation	Attenuation Tolerance
1~9dB	$\pm 0.5$
10~15dB	$\pm 1.0$
16~20dB	$\pm 1.5$

3.Return Loss:RL $\geq$ 50dB(SM UPC) $\geq$ 60dB(SM APC) $\geq$ 35dB(MM OM3/OM4)

Tolerance Unless Specific:  
X  $\pm 0.1$   
X.X  $\pm 0.05$   
X.XX  $\pm 0.02$   
X.XXX  $\pm 0.005$



DRAW	Charles Hoskins	DATE	17-01-2022	TITLE: LC Attenuator Loop		
CHECK		APPROVED		CUSTOMER NO		
				DWG NO	ATT-LA-xx-HS ATT-LU-xx-HS ATT-L-xx-HS	
					REV	A