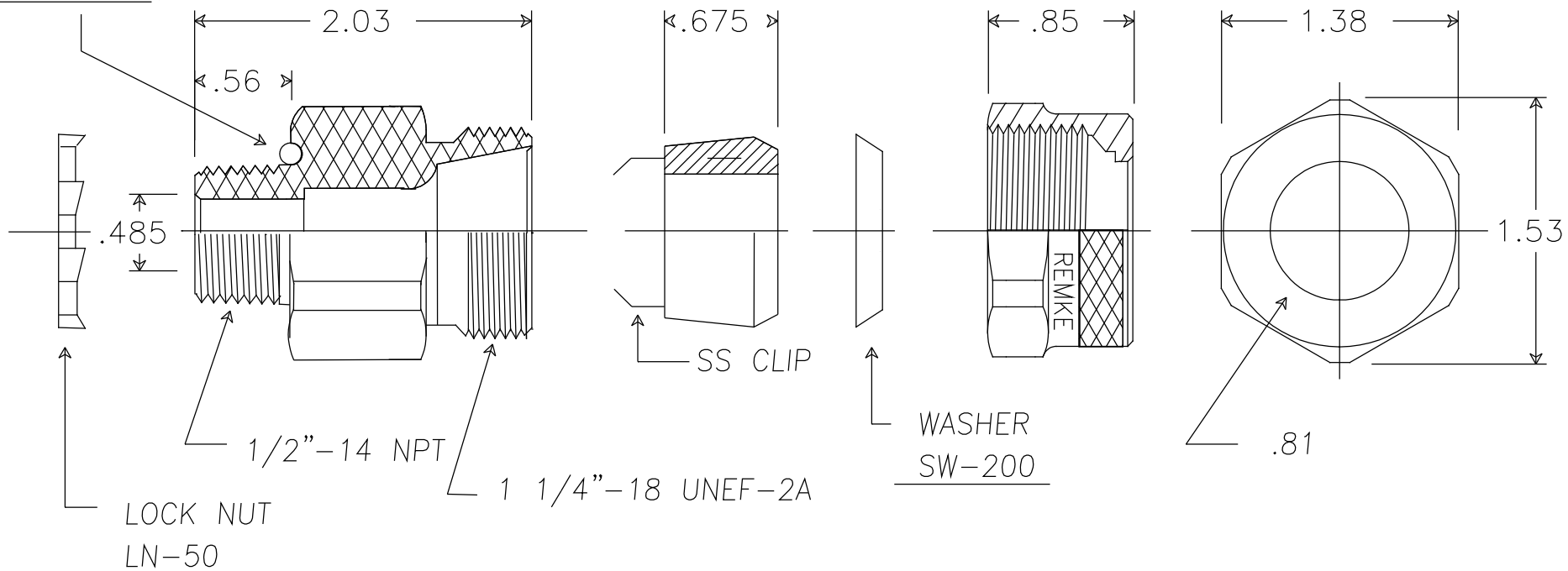


BODY
TK202B

BUSHING
TK-202-SRB

NUT
TK-202-N

O-RING
SOR-1-VNT



MATERIAL:

ALUMINUM BODY AND NUT

NEOPRENE RUBBER BUSHING & SS CLIPS

NEOPRENE RUBBER O-RING

ZINC PLATED STEEL WASHER

REV.	DATE	CHANGE

UNLESS OTHERWISE SPECIFIED
 3-PLC. DIM. +/-.005
 2-PLC. DIM. +/-.010
 1-PLC. DIM. +/-.015
 FRACTIONAL +/-.1/64
 ANGULAR +/°1

REMKE INDUSTRIES

Wheeling, Illinois 60090

SCALE: APPROX FULL

MATERIAL: SEE NOTE

FINISH: NICKEL

PART NAME: MC CABLE CONNECTOR

PART NUMBER: RTKN-050-2L

DRAWING DATE: 4/19/10