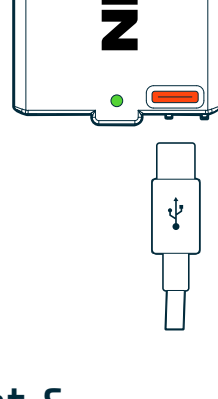
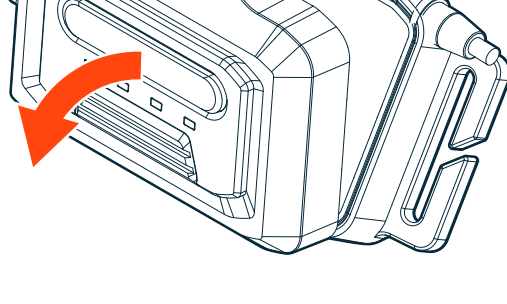


NEBO®

CURVBEAM® 850 FLEX



CHARGING



Open the battery compartment & remove the battery. Insert the included USB-C cable into the port on the battery and connect to a power source.

CHARGING STATUS

A small light near the charging port on the battery acts as a charge indicator.

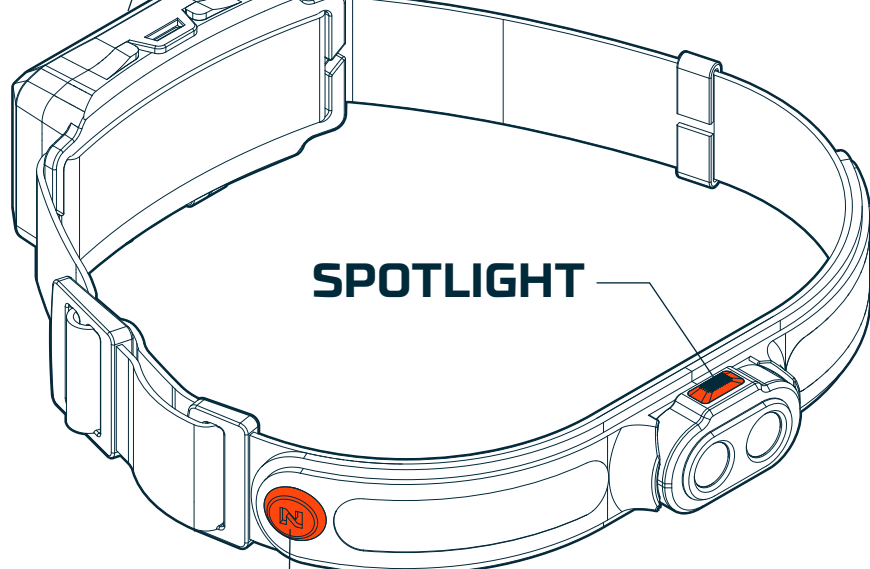
- **Solid Red:** Charging
- **Solid Green:** Charged completely

ALKALINE BATTERIES:

This light also runs off disposable alkaline batteries. To install the batteries, open the battery compartment and replace the lithium-ion battery with (3) AAA alkaline batteries. Close the battery compartment.

DO NOT mix old and new batteries. **DO NOT** mix alkaline, standard (carbon-zinc), or rechargeable (Ni-Cad, Ni-MH, etc.) batteries.

OPERATION



Press the Flood, Spot or Safety light button repeatedly to cycle through light modes. All 3 lights can operate in tandem.

- SPOTLIGHT:** High > Medium > Low > Off
- FLOOD LIGHT:** High > Low > Red > Off
- SAFETY LIGHT:** Red > Red Flashing > Off

After 8 seconds of no button activity, pressing any button will turn the corresponding light Off.

TURBO: From On, press and hold either the Spotlight or Flood Light button to activate both lights at maximum output.

SPOTLIGHT DIRECT-TO-LOW: From Off, press and hold the Spotlight button.

FLOOD LIGHT DIRECT-TO-RED: From Off, press and hold the Flood Light button.

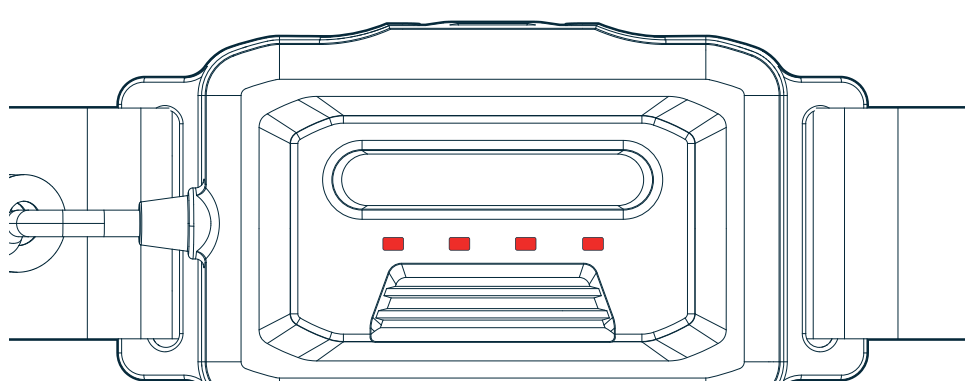
LOCKOUT: From Off, triple press the Spotlight button to disable or enable the headlamp.

LITHIUM-ION BATTERY:

MODES	OUTPUT (Lumens)	RUN TIME (Hours/Mins)	BEAM DISTANCE (Meters)
SPOT HIGH	650	1h	100
SPOT MED	300	2h	75
SPOT LOW	100	4.5h	50
180° HIGH	200	2.5h	18
180° LOW	100	5h	13
RED LIGHT	20	3h	6
180° + SPOT	850	50 min	100

(3) AAA ALKALINE BATTERIES:

MODES	OUTPUT (Lumens)	RUN TIME (Hours/Mins)	BEAM DISTANCE (Meters)
SPOT HIGH	400	3h	90
SPOT MED	250	4h	70
SPOT LOW	100	8h	50
180° HIGH	180	2.5h	17
180° LOW	100	4.5h	13
RED LIGHT	20	2.5h	5
180° + SPOT	450	1.5h	75



POWER INDICATOR

This headlamp includes 4 Red LEDs on the battery cover that indicate the battery charge. When only one LED is lit, use should be discontinued and the product recharged.

- ■ ■ ■ 100% Charged
- ■ ■ 75% Remaining
- ■ 50% Remaining
- 1-25% Remaining

PRODUCT GUARANTEE



If you experience a problem, please do not return to your local store. Contact our Customer Service team at 800-255-6061 or NEBOLIGHTS.com

For more information, detailed video instructions, and warranty registration, visit NEBOLIGHTS.com