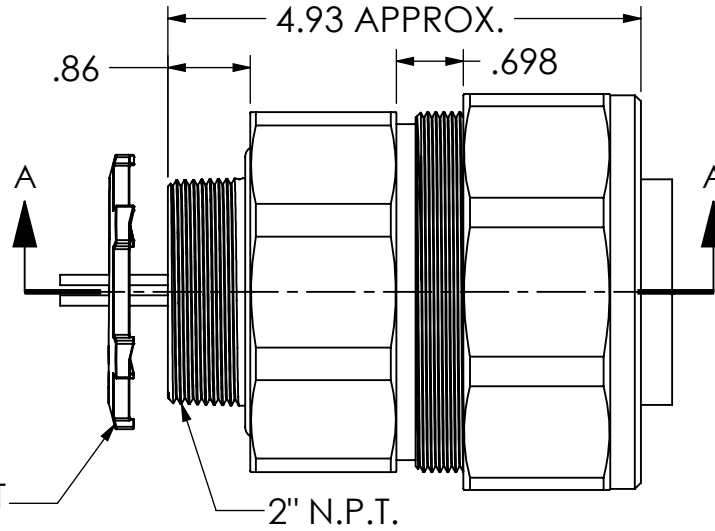
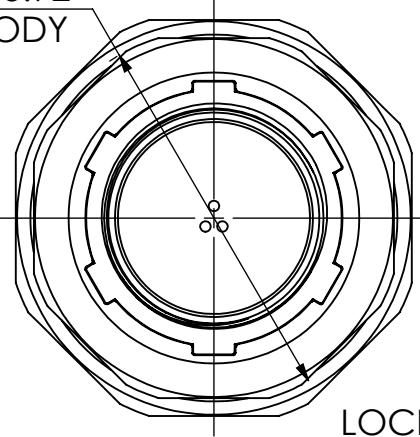
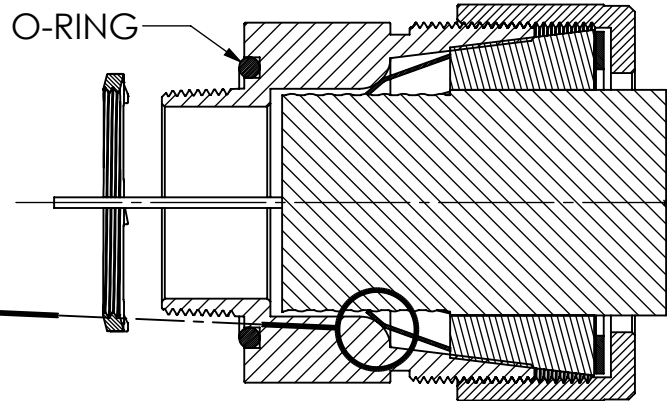
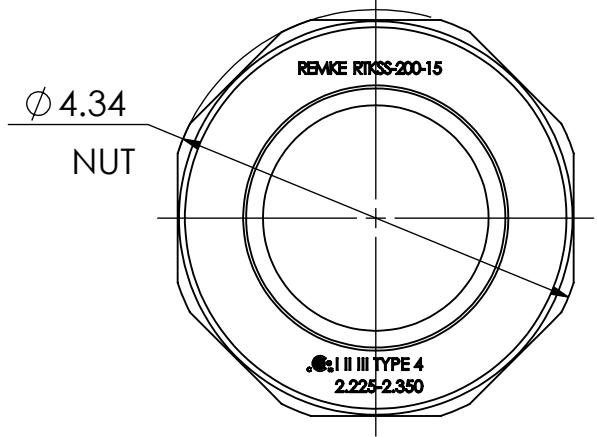


Ø 3.92  
BODY

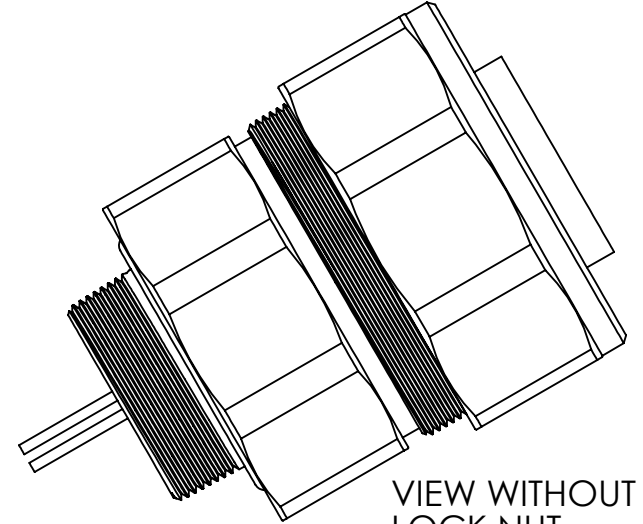


LOCK NUT  
OPTIONAL  
ADD: L



DETAIL B  
SCALE 2 : 1

SECTION A-A



VIEW WITHOUT  
LOCK NUT



REV.	DATE	CHANGE	UNLESS OTHERWISE SPECIFIED:	DRAWN	NAME	DATE	<b>REMKE</b> <b>REMKE INDUSTRIES</b> 310 CHADDICK DR, WHEELING, IL. 60090	
A	7/30/14	DRAWING RELEASED	DIMENSIONS ARE IN INCHES TOLERANCES: FRACTIONAL ± 1/64 ANGULAR: MACH ± 1° BEND ± 1° ONE PLACE DECIMAL ± .015 TWO PLACE DECIMAL ± .010 THREE PLACE DECIMAL ± .005	JCN	JCN	7/14	TITLE:	
			INTERPRET GEOMETRIC TOLERANCING PER: MATERIAL <b>STAINLESS</b> FINISH	CHECKED			SIZE DWG. NO. <b>A</b> <b>RTKSS-200-15</b>	
			DO NOT SCALE DRAWING	ENG APPR.			SCALE: 1:2	
				MFG APPR.			SHEET 1 OF 1	
				Q.A.				
				<b>PROPRIETARY AND CONFIDENTIAL</b> THE INFORMATION CONTAINED IN THIS DRAWING IS THE SOLE PROPERTY OF REMKE INDUSTRIES. ANY REPRODUCTION IN PART OR AS A WHOLE WITHOUT THE WRITTEN PERMISSION OF REMKE INDUSTRIES IS PROHIBITED.				