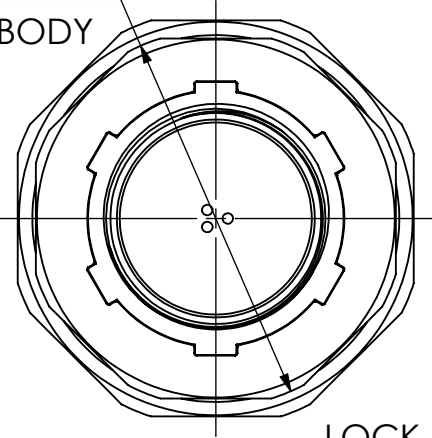


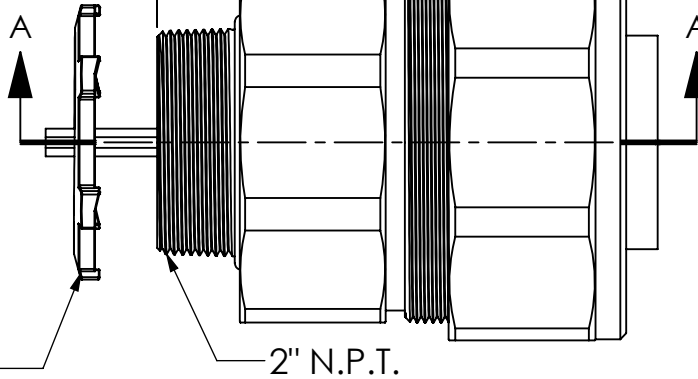
Ø 3.92  
BODY



4.89 APPROX.

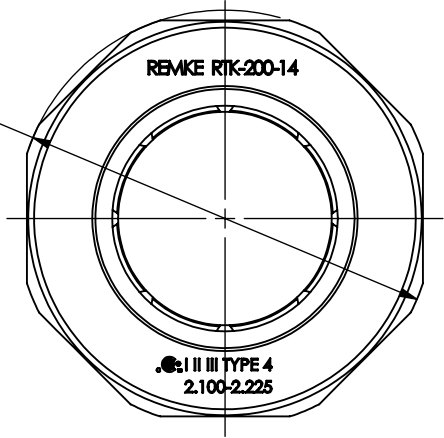
.86

A



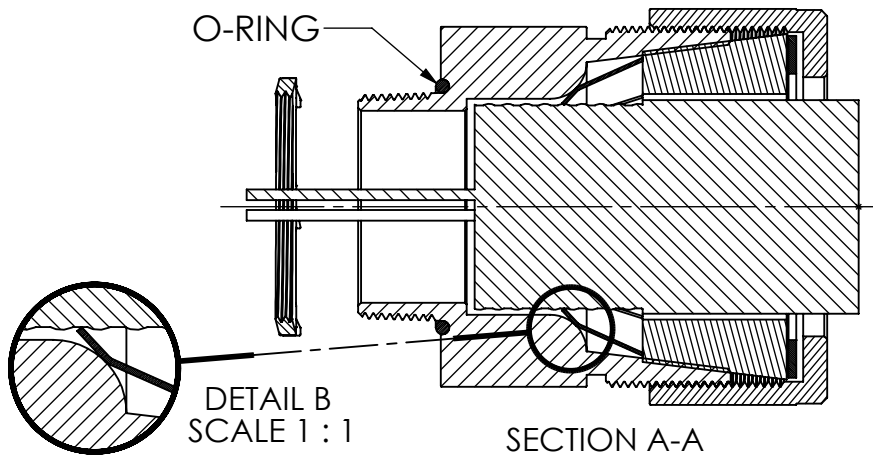
2" N.P.T.

Ø 4.34  
NUT



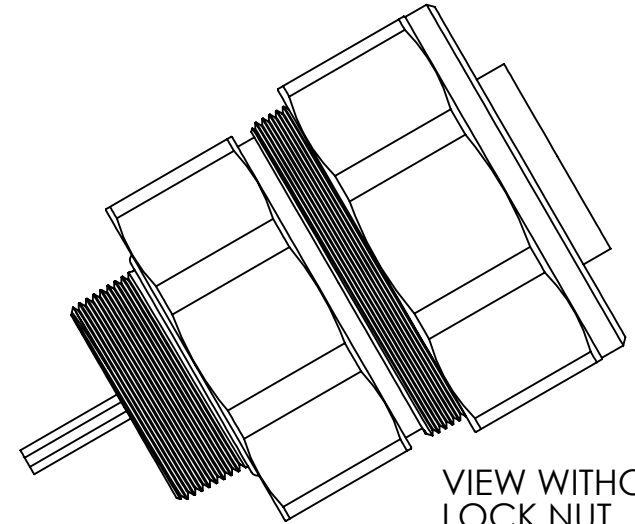
LOCK NUT  
OPTIONAL  
ADD: L

O-RING



DETAIL B  
SCALE 1 : 1

SECTION A-A



VIEW WITHOUT  
LOCK NUT



| REV. | DATE    | CHANGE           | UNLESS OTHERWISE SPECIFIED:   | NAME   | DATE  | <b>REMKE</b><br><b>REMKE INDUSTRIES</b><br>310 CHADDICK DR, WHEELING, IL. 60090<br>TITLE: |
|------|---------|------------------|---|--|-------|---|
| A    | 12/2/13 | DRAWING RELEASED | DIMENSIONS ARE IN INCHES<br>TOLERANCES:<br>FRACTIONAL ± 1/64<br>ANGULAR: MACH ± 1° BEND ± 1°<br>ONE PLACE DECIMAL ± .015<br>TWO PLACE DECIMAL ± .010<br>THREE PLACE DECIMAL ± .005<br>INTERPRET GEOMETRIC TOLERANCING PER:<br>MATERIAL ALUMINUM<br>FINISH<br>DO NOT SCALE DRAWING | DRAWN JCN<br>CHECKED<br>ENG APPR.<br>MFG APPR.<br>Q.A. | 12/13 |   |
|      |         |                  |   |  |       |   |
|      |         |                  |   |  |       |   |
|      |         |                  |   |  |       |   |
|      |         |                  |   |  |       |   |
|      |         |                  |   |  |       |   |
|      |         |                  |   |  |       |   |
|      |         |                  |   |  |       |   |

5

↑

4

3

2

1