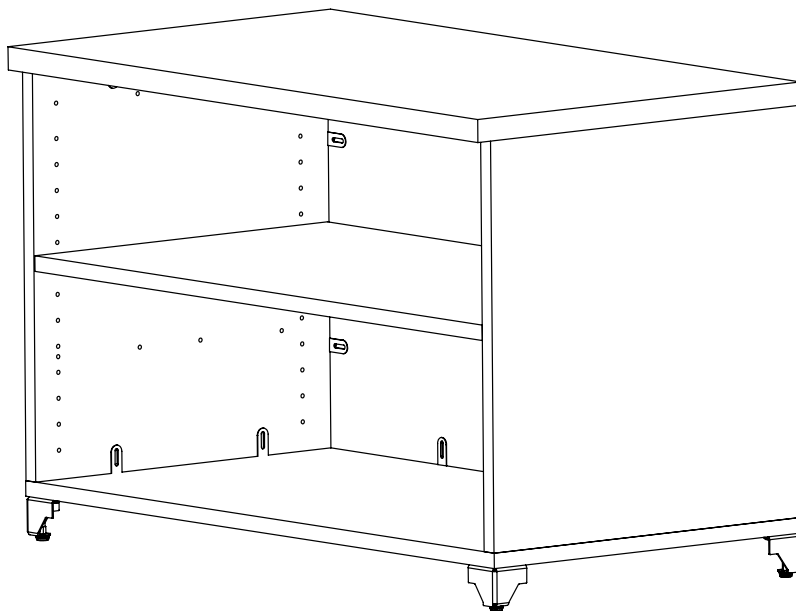




## Tevita Casegoods Shelf Assembly Instructions

Compatible with all Tevita base units

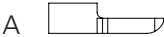


Warranty: [raproducts.com/resources/warranty](https://raproducts.com/resources/warranty)

**Hardware Included for Assembly** *(may have extra)*

---

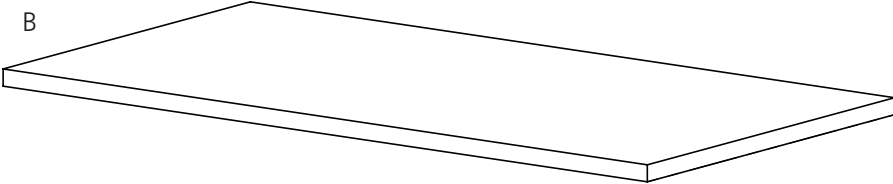
A. Shelf Pins *x4*



**Parts**

---

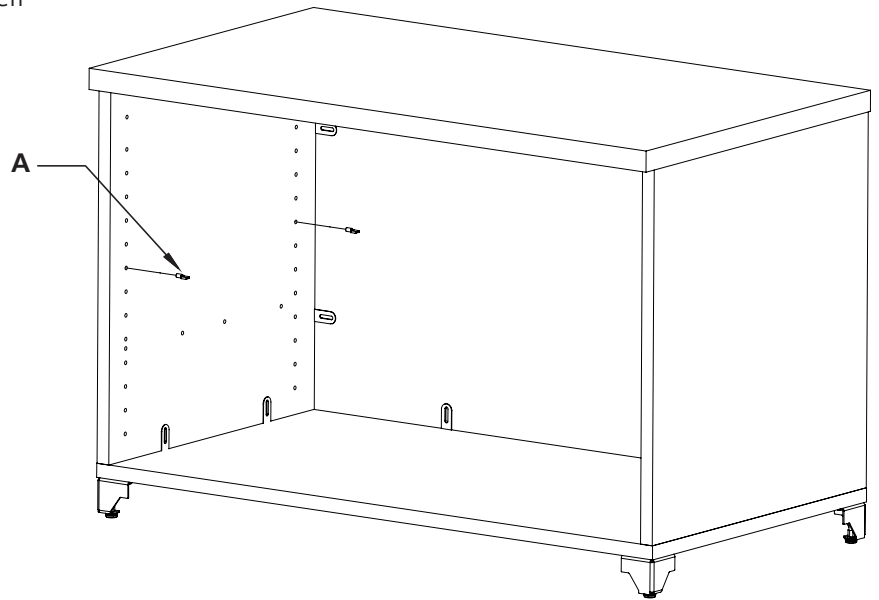
B. Shelf



## Step 1

---

- Insert all four shelf pins (A) to your desired shelf height.



## Step 2

---

- Insert the shelf (B) and rest on top of the shelf pins.

