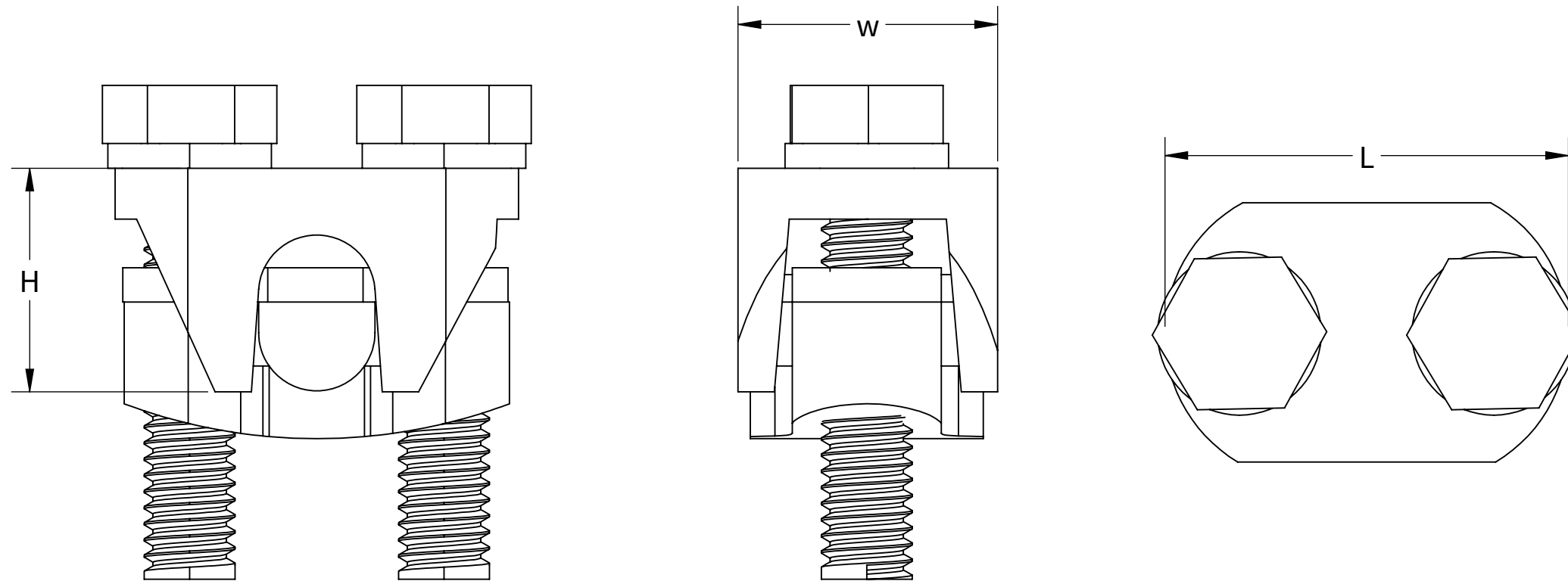


FEATURES:

1. All parts are tin plated.
2. Made from high strength bronze castings with high conductivity spacer bar
3. Designed for heavy-duty service connections.
4. The cap swivels to permit quick and easy installation of conductors.
5. Retaining rubber washer eliminates loose parts.
6. Silicon bronze hardware.
7. Flat back permits use as bus tap when used with longer bolts.
8. Units in MM

TCP Series: Two-Bolt Bronze, Dual Rated for Aluminum, Copper & Steel



CAT. NO.	MAIN WIRE RANGE		TAP WIRE RANGE		HEIGHT (H)	WIDTH (W)	LENGTH (L)
	MAX	MIN	MAX	MIN			
TCP1/0	1/0 STR	2 SOL	1/0 STR	6 SOL	20.5	22.75	35
TCP2/0	2/0 STR	1 SOL	2/0 STR	6 SOL	24	24	40
TCP4/0	4/0 STR	2/0 STR	4/0 STR	6 SOL	30.50	27	45.50
TCP350	350 MCM	4/0 STR	350 MCM	4 SOL	36.50	38	57.50
TCP500	500 MCM	350 MCM	500 MCM	4 SOL	39.50	31.5	59
TCP800	800 MCM	600 MCM	800 MCM	2 SOL	49.5	42	67.50
TCP1000	1000 MCM	750 MCM	1000 MCM	2 SOL	54	45.5	74