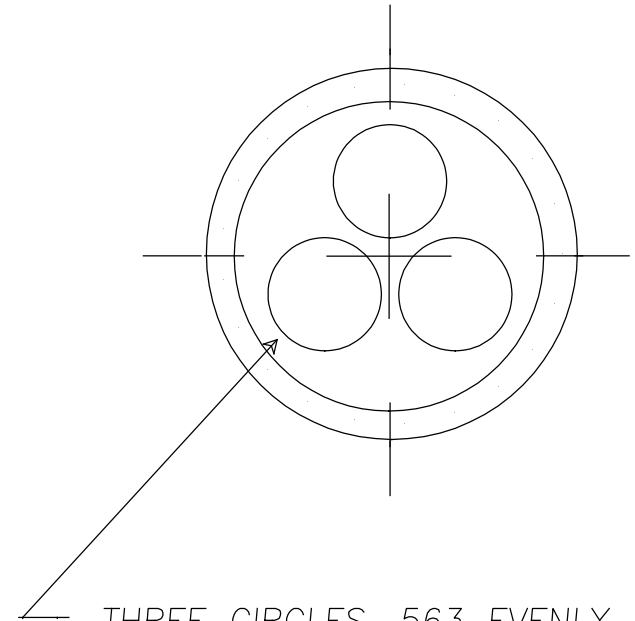
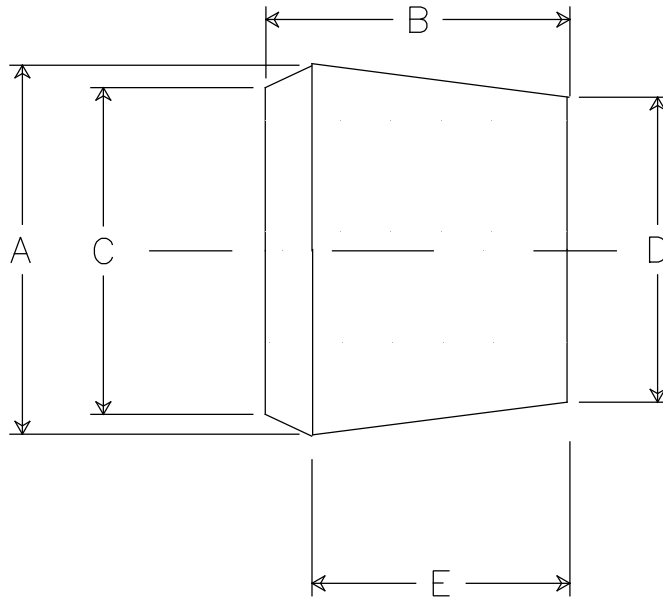


DIMENSIONS

A 1.843
B 1.125
C 1.625
D 1.500
E 1.000



THREE CIRCLES .563 EVENLY
SPACED ON A .748 DIA.CIRCLE

NOTES:

- 1.0 ANGULAR TOLERANCE $\pm 1/2$ DEGREE
- 2.) FLASH TO BE HELD TO A MINIMUM AND MAY NOT WEBB ACROSS HOLE DIA.
- 3.) 1D/OD CONCENTRICITY WITHIN .20
- 4.) ALL OTHER DIM $\pm .015$

REMKE INDUSTRIES
Wheeling, Illinois 60090

SCALE:	APPROX FULL
MATERIAL:	NEOPRENE 50-60 DUROMETER
FINISH:	NATURAL BLACK
PART NAME:	BUSHING
PART NUMBER:	SRB-509-3
DRAWING DATE:	7-28-03