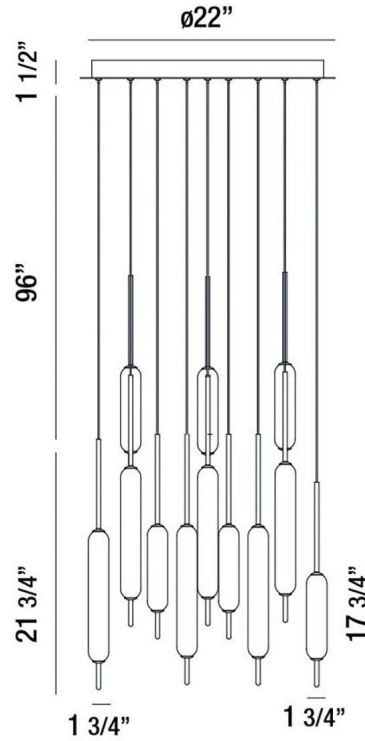


JOB NAME:

DATE:

TYPE:

COMMENTS:



LIGHT INFORMATION

Light Type	Integrated LED
CRI	90
Delivered Lumens	7200
Color Temperature	3000K
LED Lifespan (L70)	20000
Number of Lights	12
Light Direction	Ambient
Dimming Method	Triac/Elv
Current Type	DC
Input Voltage	120
Total Wattage	120

DIMENSIONS & WEIGHT

Height (In)	21.75
Min Height (In)	41.25
Max Height (In)	122.25
Diameter (In)	22
Weight (Lbs)	11.2

INSTALLATION

Mounting Type	J-Box
Rating	Dry
Hanging Support Type	Wire

PRODUCT FINISH

Matte Black

SHADE FINISH

Cylindrical White Glass

CERTIFICATIONS & COMPLIANCE

