

POLARIS®

NMS-3 SERIES

For splicing and tapping non-metallic (NM) cable.

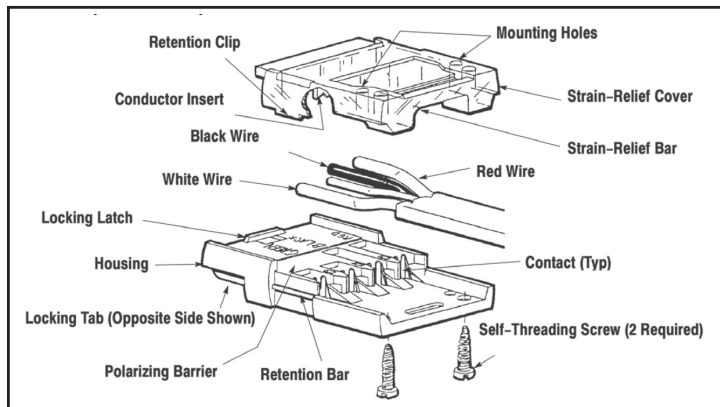
GENERAL INFORMATION:

- For use on 12 or 14 AWG (300v) 2 Wire NM cable with ground.
- Eliminates junction boxes
- Contents complete one splice
- Fast and simple to install

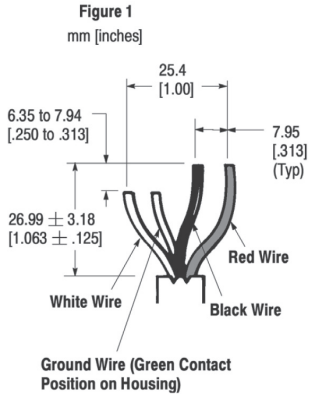
ASSEMBLY INSTRUCTIONS:

See figures 1-3 for assembly procedure.

1. Cut and strip outer cable jacket to match the markings indicated on the connector housing. (Fig.1) **2.** Align wires with markings on the housing. Place the wires on the contacts. Do not push the wires into slots. Wire ends must extend .250 in. (6.35mm) min. **3.** Hold wires in place and cover firmly. Place slip-joint pliers so the jaw flats are parallel and press evenly to close. Grip the housing and cover firmly. Place slip-joint pliers so that jaw flats are parallel and press evenly to close. Squeeze the slip-joint pliers handles until the two pieces snap into place. Install the two screws to lock closed. (Fig.2) **4.** Orient the splices so the mating ends align. Slide the splices into each other until the locking latches engage. (Fig.3) Coupled splices can be mounted to a stud or joist with four 4d common nails.



ATTENTION: Improperly installed electrical wiring can be dangerous and cause electrical fires. Consult local building code before doing any electrical work. Do not re-terminate a splice if wire was previously used. Keep out of the reach of children. Safety First!



Note: This figure is actual size, but printing may cause variations.

Figure 2

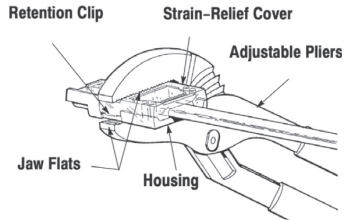


Figure 3

