

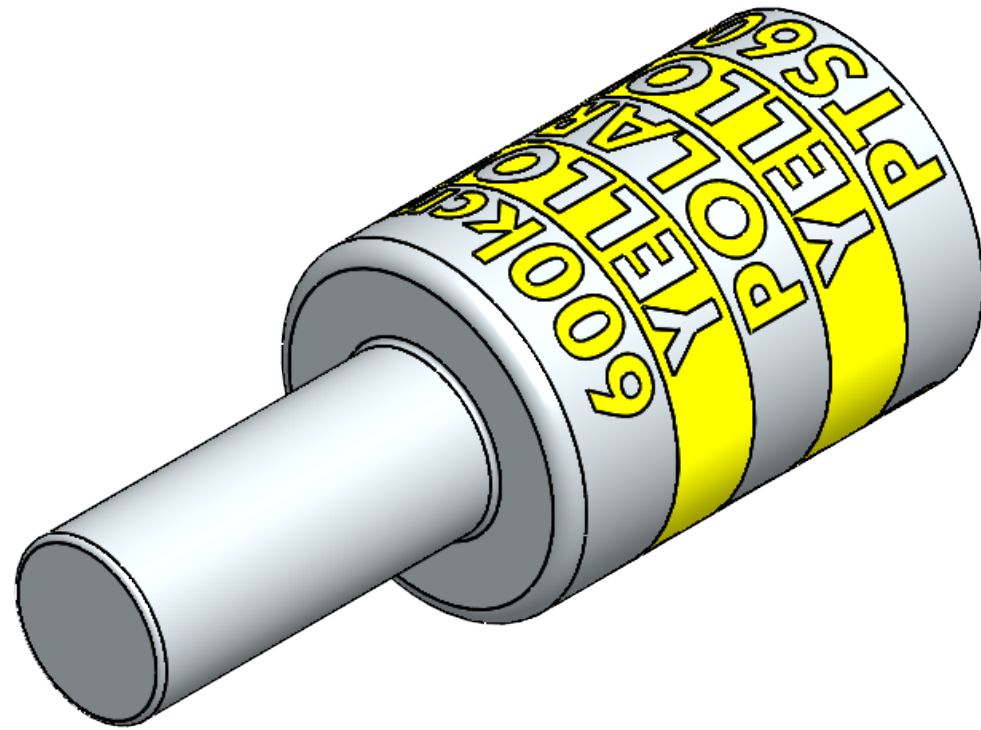
**FEATURES:**

1. Material: Tin Plated Aluminum
2. UL listed for U.S. & Canada.
3. Wire connector rated for 35Kv max.
4. Class B/C compressed, concentric, and compact conductor.
5. Dual rated AL9CU.
6. Supplied with EPDM insulated cover.
7. Connector is pre-filled with oxide inhibitor.
8. Dimensions are for reference only.

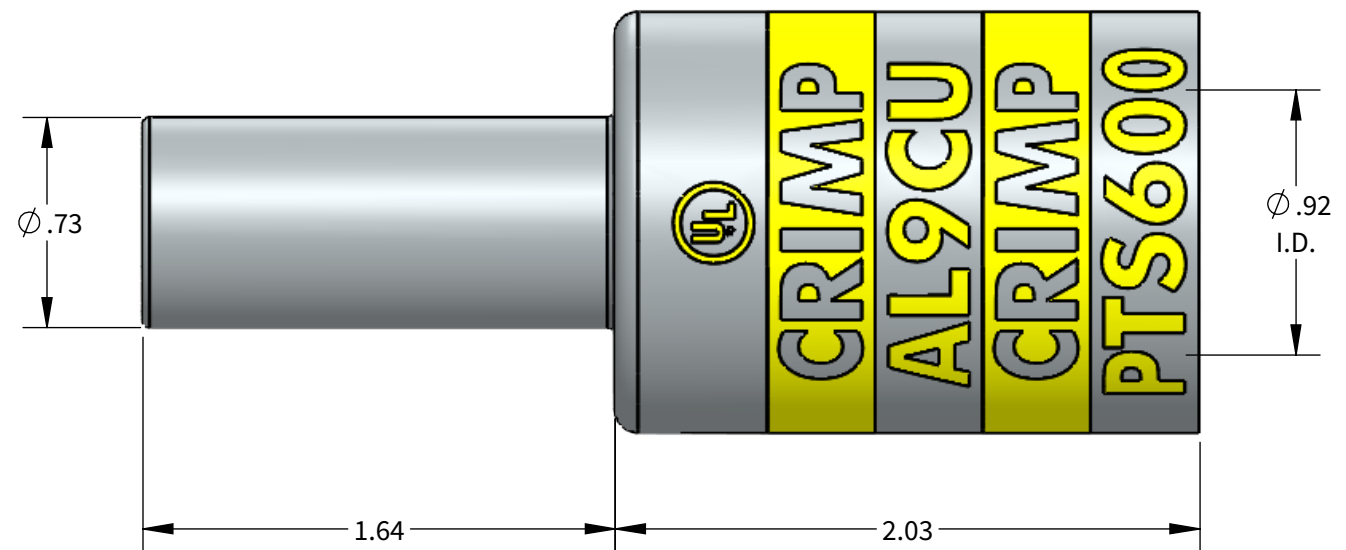
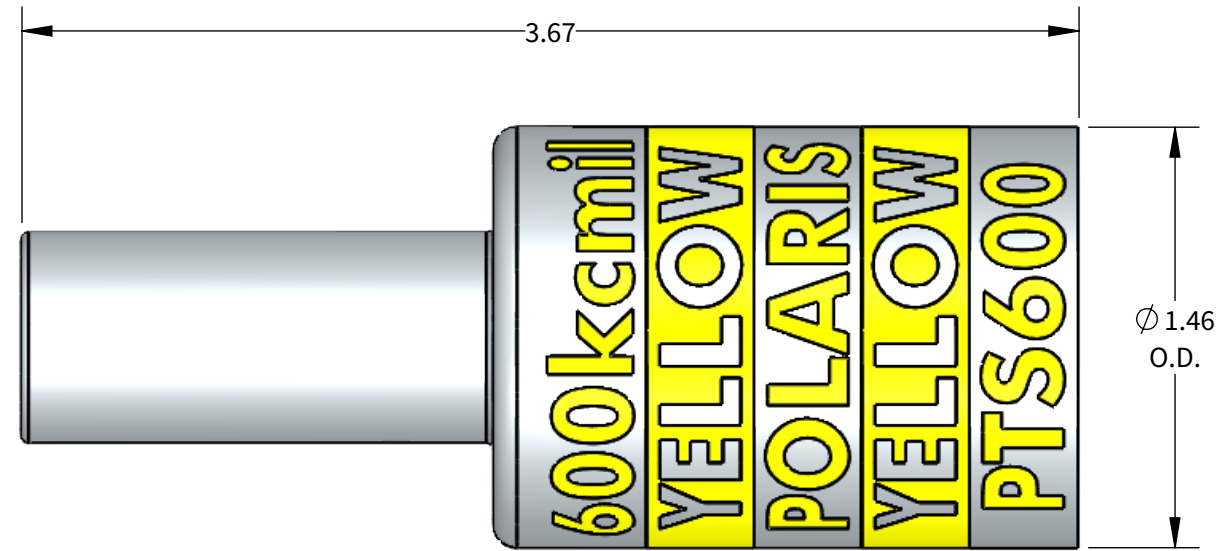
# PTS Series: PTS600



|            |            |
|------------|------------|
| PROGRAM:   | SOLIDWORKS |
| UPDATED:   | 4/2022     |
| SALES REV: | A          |
| SIZE:      | B (11x17)  |



SCALE 3:2



ALUMINUM COMPRESSION CONNECTOR TOOL AND DIE CHART  
(# OF CRIMPS)

|           |              |           |              |
|-----------|--------------|-----------|--------------|
|           |              |           | GREENLEE     |
| WIRE SIZE | STRIP LENGTH | DIE COLOR | N1240 SERIES |
| 600kcmil  | 1-13/16"     | YELLOW    | CD23(2)      |

