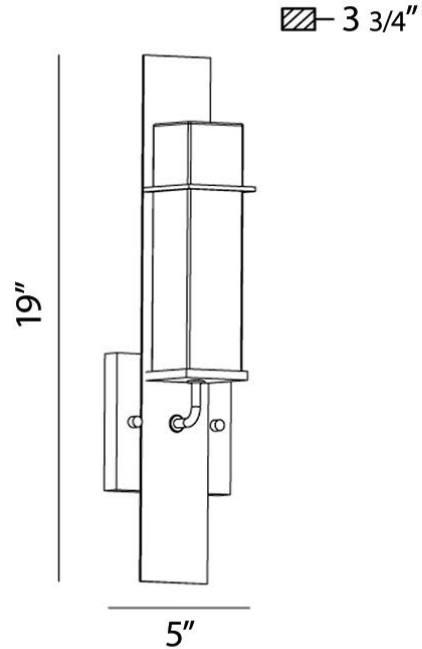


JOB NAME:

DATE:

TYPE:

COMMENTS:



**LIGHT INFORMATION**

Light Type	Bulb
Bulb Socket	E26
Bulb Shape	T10
Light Direction	Down
Dimming Method	Triac/Elv
Current Type	AC
Input Voltage	120
Total Wattage	60

**DIMENSIONS & WEIGHT**

Width (In)	5
Height (In)	19
Ext (In)	3.75
Weight (Lbs)	3.53

**PRODUCT FINISH**

Matte Black

**INSTALLATION**

Rating	Wet
Hanging Support Type	J-Box

**CERTIFICATIONS & COMPLIANCE**

