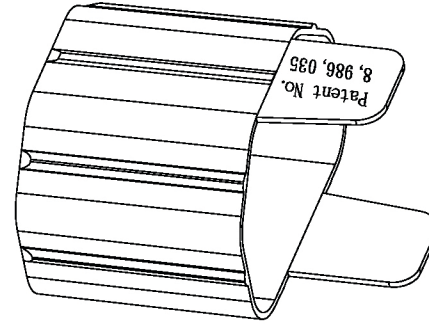
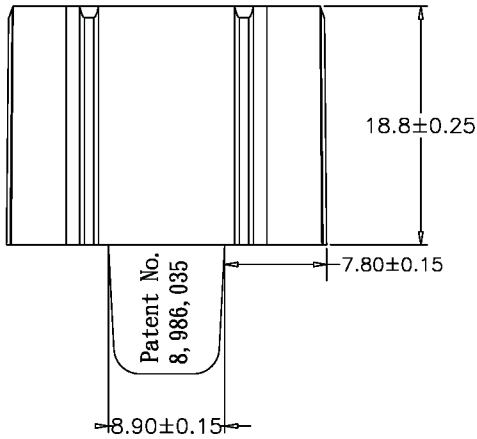
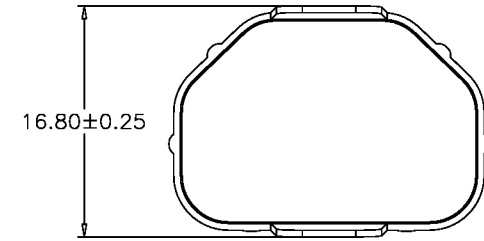



VIEW:A-A



TOLERANCE >0±0.30 >1.0±0.50 >10.0±1.0 >20.0±2.0 Angle: ±1°	APPROVED		DATE					
	CHECKED		DATE					
	DRAWN		DATE	21.09.07	CUSTOMER			
	TYPE	C13 Secure sleeve			P/N	SureFIT-C13-YE		
	DRAWING NO.		REV	B	MATERIAL	P. V. C	UNIT	mm
					SCALE			

NO.	SPECIFICATION	QTY	REMARK
1	YC-12 SLEEVE YELLOW	1.5g/PC	