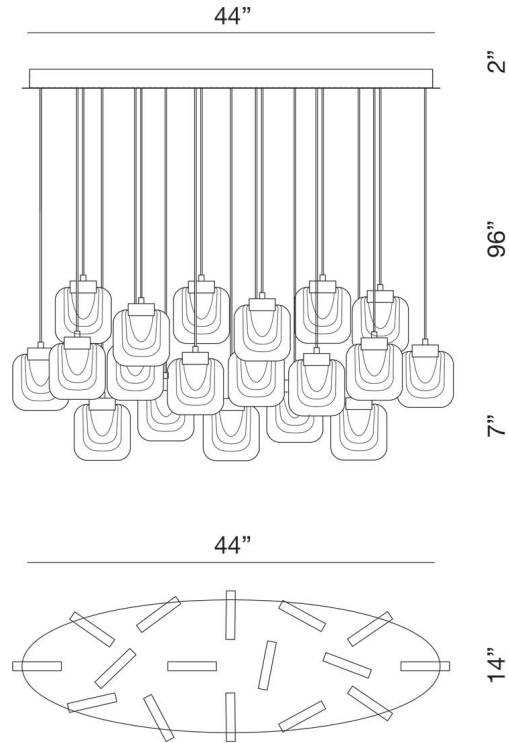


JOB NAME:

DATE:

TYPE:

COMMENTS:



LIGHT INFORMATION

| | |
|--------------------|----------------|
| Light Type | Integrated LED |
| CRI | 90 |
| Delivered Lumens | 3200 |
| Color Temperature | 3000K |
| LED Lifespan (L70) | 20000 |
| Number of Lights | 16 |
| Light Direction | Ambient |
| Dimming Method | Triac/Elv |
| Current Type | DC |
| Input Voltage | 120 |
| Total Wattage | 92.8 |

DIMENSIONS & WEIGHT

| | |
|-----------------|------|
| Length (In) | 44 |
| Width (In) | 14 |
| Height (In) | 7 |
| Min Height (In) | 29 |
| Max Height (In) | 105 |
| Weight (Lbs) | 61.6 |

INSTALLATION

| | |
|----------------------|-------|
| Mounting Type | J-Box |
| Rating | Dry |
| Hanging Support Type | Wire |

PRODUCT FINISH

Chrome

SHADE FINISH

Rectangular Clear Glass

CERTIFICATIONS & COMPLIANCE

