



INTRODUCING THE **MELNI**
Direct Burial Splice Connector
A SMARTER CRIMPLESS CONNECTOR

MC CONNECTOR: FASTER, EASIER, & SAFER!

A breakthrough innovation.

- The Melni Direct Burial & Submersible Splice connectors are a simple, smart alternative to bulky crimpers and expensive tools.
- The patented spiral-insert technology collapses around the conductor as end caps are tightened – no crimping needed!
- **No heat shrink tubing! No heat tools! No welding!**

Ease of use and efficiency.

- Leave the expensive tools at home – tighten as required to make a reliable electrical connection.
- Massive time savings on installation. The Melni Connector can be **INSTALLED IN LESS THAN 1 MINUTE!**
- **Reduce risk & increase safety** during installation
Safer to install than traditional splices!

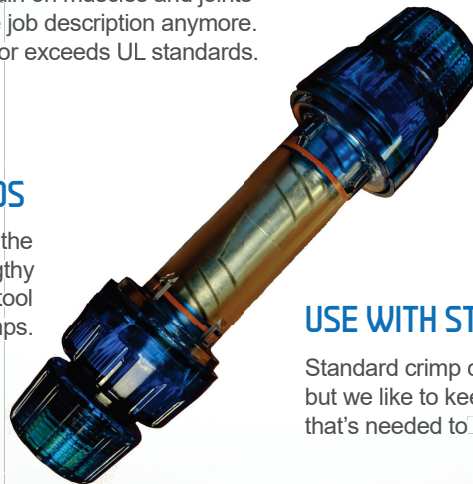
REPLACE YOUR SPLICE CONNECTORS WITH A MELNI MC CONNECTOR FOR USE IN MULTIPLE APPLICATIONS AND SAVE TIME & LABOR.

UL RATED

Excessive force and strain on muscles and joints doesn't have to be part of the job description anymore. The Direct Burial MC Connector exceeds UL standards.

INSTALL IN SECONDS

Drastically cut time and labor with the MC Connector & reduce the traditionally lengthy process requiring multiple measurements, tool change outs, and crimps.



WATERPROOF CONNECTION

The Melni MC Connector is waterproof with sealing caps that compress a neoprene bushing around the cable.

USE WITH STANDARD WRENCHES

Standard crimp connectors require bulky, specialized crimpers, but we like to keep things simple – everyday wrenches are all that's needed to forge reliable electrical connections.



FOR A QUOTE CALL 847-325-7825
OR SEND EMAIL TO TJOGARA@REMKE.COM

Direct Burial & Submersible Splice Connector

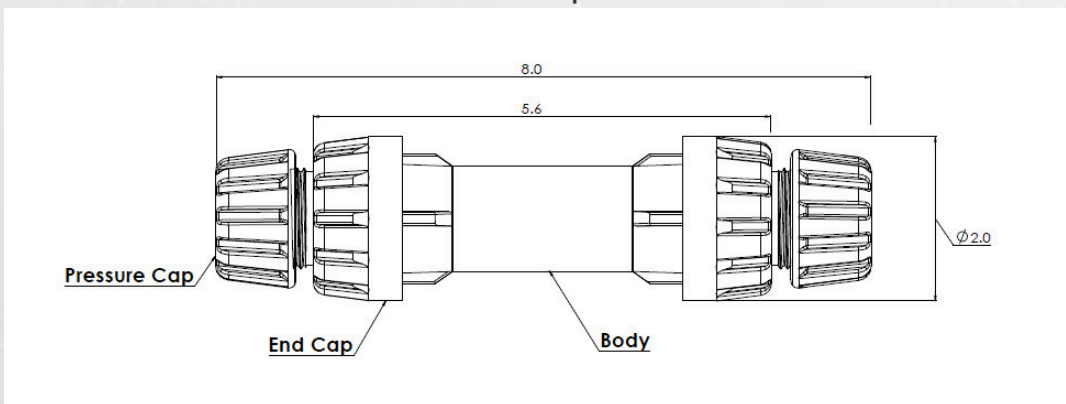
MC Connector Installation:

1. Insert stripped cable into MC Connector.
2. Twist the end caps to tighten the patented spiral insert.
3. Tighten the waterproof caps.

**For detailed instructions, refer to installation sheet*

TECHNICAL DATA

Direct Burial & Submersible Butt Splice Connector

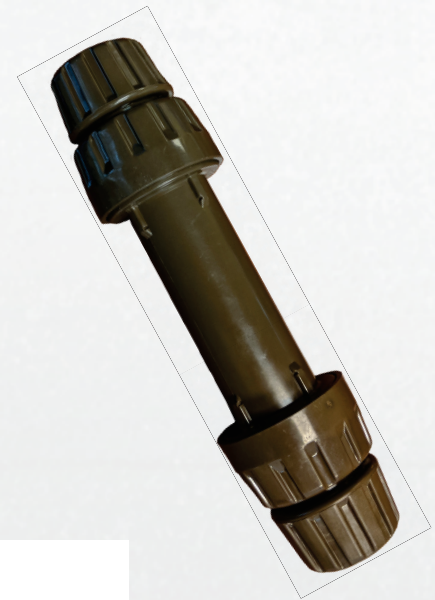


Size Range

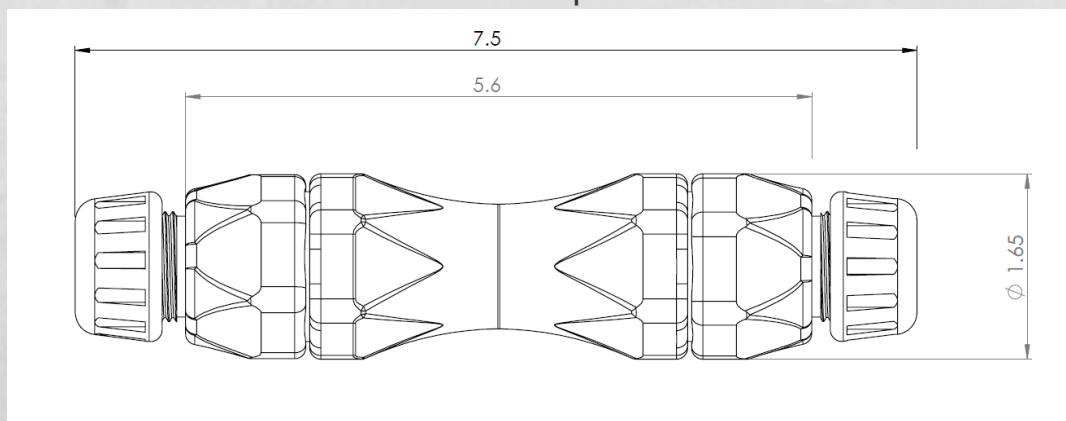
Connector: 1/0-2/0 AWG

Insulation: OD ≤ 0.56"

Part #: MC1200



Direct Burial & Submersible Butt Splice Connector



Size Range

Connector: #4 - #2 AWG

Insulation: OD ≤ 0.45"

Part #: MC2400



NEED HELP? CALL 847.325.7825 OR VISIT WWW.REMKE.COM/MELNI