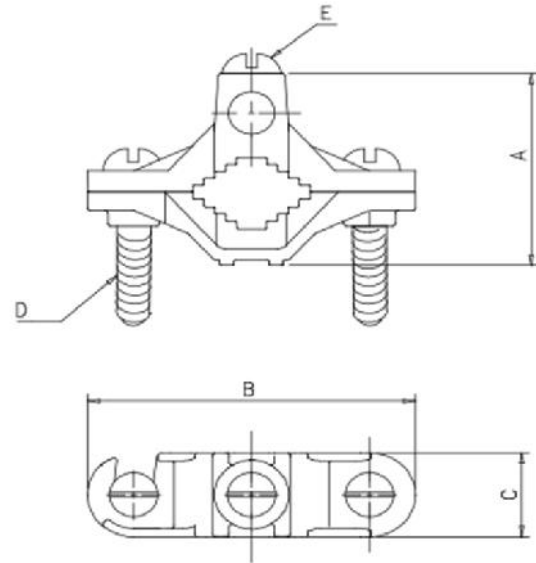


Zinc Die Cast Ground Clamps



Drawn - SD

Approved - KM

Material - Zinc Alloy

Title - Zinc Die Cast Ground Clamps



Description

Part Number	Wire Range	Conduit Size	A	B	C	D	E
GZ-1	10 sol - 2 str	1/2-1"	1.377	2.244	0.629	1/4-20 x 1-1/2"	1/4-20 x 1/2"