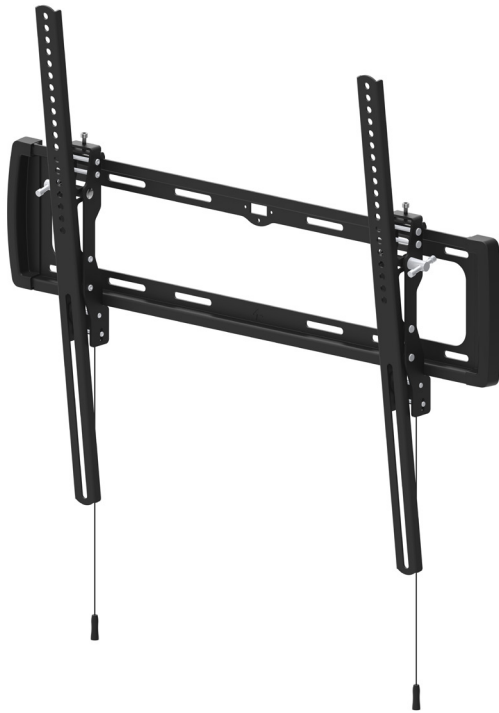


## **AURORA® UNIVERSAL OUTDOOR TV FIXED TILT MOUNT**

F2AA004ABBK [2022260478]

USER MANUAL

---



\*Product picture is for reference only.

# Contents

Welcome .....	2
Important Safety Instruction .....	2
What's in the box .....	3
Before Installation .....	4
Installation .....	5
Operation and Adjustment.....	9

# Welcome

Thank you for purchasing the Furrion Universal Outdoor Fixed Tilt Mount for 49"/50"/55"/ 65"/75" Furrion Aurora™ TV. Before operating your new product, please read these instructions carefully. This instruction manual contains information for safe use, installation, introduction of the product. Please keep this manual for future reference. The manufacturer does not accept responsibility for any damages from incorrect installation due to not observing these instructions. If you have any further questions regarding our products, please contact us at [support@furrion.com](mailto:support@furrion.com)



## WARNING

This product is designed to be installed on wood stud or solid concrete walls. Before installing make sure the wall or mounting surface will safely support four times the combined weight of the mounted equipment including its accessories. Never exceed the Maximum Load Capacity (185 lbs/84 kg).



## CAUTION

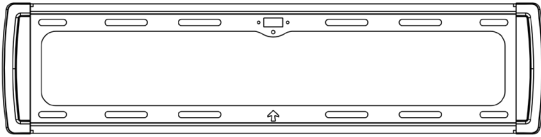
Improper installation will void warranty and may cause serious injury or damage. It is recommended that a qualified contractor installs the fixed tilt mount.

### **Safety Precaution**

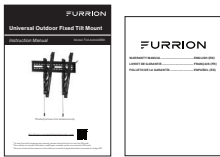
1. Ensure these instructions are thoroughly understood before attempting installation. If unsure of any part of the installation process, contact a professional installer for assistance.
2. Be careful not to pinch fingers during installation.
3. At least two people are required for this installation and it is highly recommended that this product is installed by qualified professionals.
4. Screws must be tightly secured, but do not overtighten screws. Overtightening can damage the items, greatly reducing their holding power.
5. Always use an assistant or mechanical lifting equipment to safely lift and position equipment.
6. Safety gear and proper tools must be used. Failure to do so can result in property damage and/or serious injury.
7. This wall mount is intended for use only with the maximum weight of 185 lbs (84 kg). Use with products heavier than the maximum weight indicated may result in instability causing possible injury.
8. Ensure that there are no missing or defective parts upon receipt. Never use defective parts.
9. This product contains small parts that could be a choking hazard.
10. Do not use this product for any purpose other than to mount a VESA compliant TV.
11. This product is for private household use only and therefore may not be used in public places like restaurants or hotels.
12. Do not let children play with the product and keep children and pets away while assembling this mount.
13. When using power tools to assemble the product, be careful with the torque settings.
14. Power tools may strip or damage the parts.
15. Handle the product with care - scratches, dings and dents will remove the rust protective powder coating layer and may lead to structural failures over time.
16. Safety gear and proper tools must be used. Failure to do so can result in property damage and/or serious injury.

# What's in the box

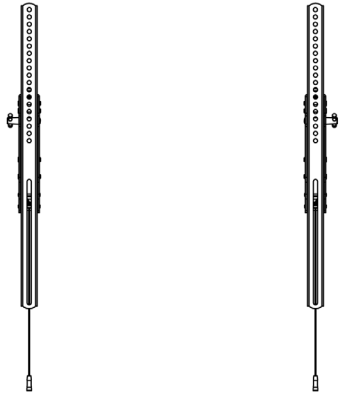
Unpack the box carefully and check if the following parts are included. If any parts are missed or damaged, do not attempt to assemble the product. Please contact the authorized retailer where you purchased immediately.



Wall Plate



Instruction Manual & Warranty Manual



Mounting Arms (Left & Right)

## HARDWARE KIT Hardware Kit (A-K)

**WARNING:** This product contains small items that could be a choking hazard if swallowed.

(A) M8 x 63 Lag Bolt (x4)



(B) Lag Bolt Washer (x4)



(C) Concrete Anchor (x4)



(D) M6 x 16 Screw (x4)



(E) M6 x 18 Screw (x4)



(F) M6 x 25 Screw (x4)



(G) M6 Washer (x8)



(H) M8 x 18 Screw (x4)



(I) M8 x 25 Screw (x4)



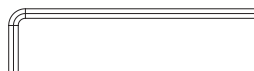
(J) M8 Washer (x8)



(K) Spacer 8\*18\*10 (x8)



(L) Long Allen Key (x1)



# Before Installation

## Tools Required (not included)



Power Drill



Drill Bits  
( $\frac{3}{8}$ " for concrete and  
 $\frac{1}{4}$ " for wooden stud)



Hammer



Phillips Screw Driver



Level



Stud Finder



Pencil



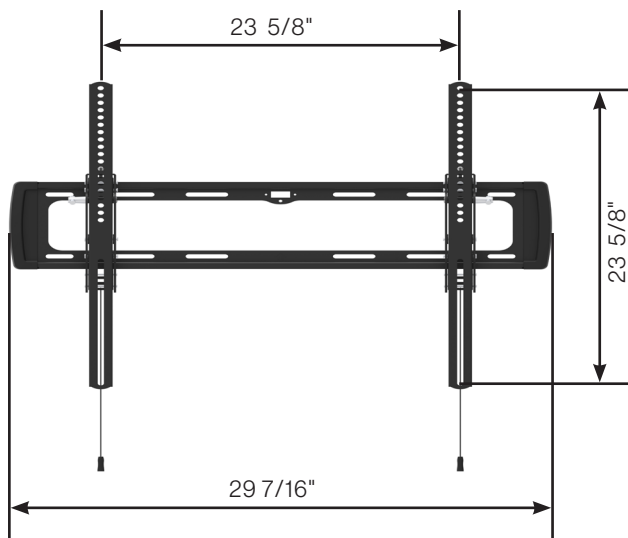
Tape Measure



Tape

## Specification and Features

- Max loading : 185 lbs (84 kg)
- Fit all Furrion Aurora™ TVs : Max VESA 23 5/8" x 23 5/8" (600 mm x 600 mm)
- Tilt range: 6° up/7° down
- Distance from wall: 2 7/16" (62.5 mm)



# Before Installation

Furrion Aurora™ TV VESA Mounting Pattern  
(W x H mm)

Model Size	FDU***CBS FDU***CBR	FDU***CSA FDU***Y1A
	43"	200 x 200mm
49"	200 x 400mm	/
50"	/	200 x 400mm
55"	400 x 400mm	400 x 200mm
65"	400 x 400mm	400 x 200mm
75"	600 x 600mm	600x600mm

# Installation

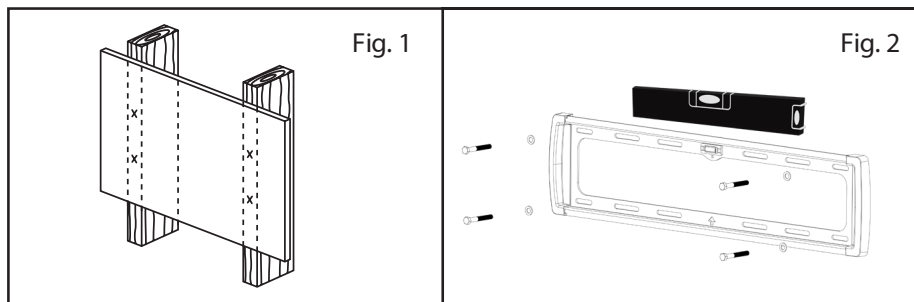
## Part 1A - Mounting to the Wall (Drywall)

**WARNING:** For safety reasons, this mount must be secured to at least two wood studs no less than 16" apart. The studs must be capable of supporting the combined weight of the mount and display.

1. Use a high-quality stud finder to locate two adjacent studs where you wish to install your mount. Mark both edges of each stud to help identify the exact center.

NOTE: You must use the center of each stud to avoid cracking or splitting the wood during installation.

2. Place the wall plate against the wall with the arrow pointing up and level the wall plate with a single level (see Fig. 2).
3. While another person holds the wall plate in position, mark four locations (two per stud) for securing the mount to the wall (see Fig.1).
4. Set the wall plate aside and drill a 6 mm (1/4") pilot hole at each marked location.
5. Place the wall plate back against the wall and attach it using the lag bolts (A) and lag bolt washers (B) provided (see Fig.2).  
**Do not overtighten these bolts and do not release the wall plate until both bolts are in place.** Ensure that the wall plate remains level after tightening the bolts.



# Installation

## Part 1B - Mounting to the Wall (Concrete)

**WARNING:** For safety reasons, the concrete wall must be capable of supporting the combined weight of the mount and the display. The manufacturer takes no responsibility for failure caused by walls of insufficient strength. Do not drill into mortar joints. When installing mounting plate on cinder block, verify first that you have a minimum of 1 3/8" of concrete thickness to be used for the concrete wall anchors.

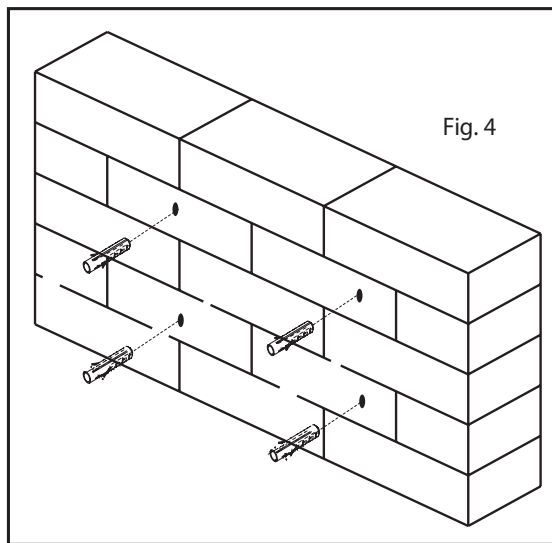
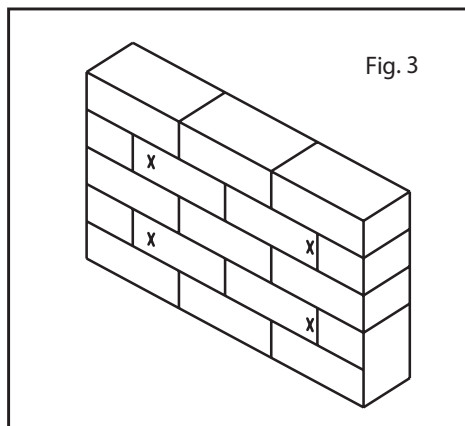
1. Place the wall plate against the wall in the desired location with the arrow pointing up and level wall plate with single level.
2. While another person holds the wall plate in place, mark four locations on the wall for securing the mount (see Fig.3).
3. Set the wall plate aside and drill a 10

mm (3/8") hole at each marked location. Remove any excess dust from the holes.

4. Insert a concrete anchor (C) into each hole so that it is flush with the concrete surface (see Fig. 4). A hammer can be used to lightly tap the anchors into place if necessary.

**NOTE:** If the concrete wall is covered by a layer of plaster or drywall, the concrete anchor must pass completely through the layer to rest flush with the concrete surface.

5. Place the wall plate back against the wall. Ensure the proper orientation with the arrow on the plate facing up. Attach it using the lag bolts (A) and lag bolt washers (B) provided (see Fig.2). **Do not overtighten these bolts and do not release the wall plate until both bolts are in place.** Ensure that the wall plate remains level after tightening the bolts.



# Installation

## Part 2 - Attaching Mount Arms to the Display

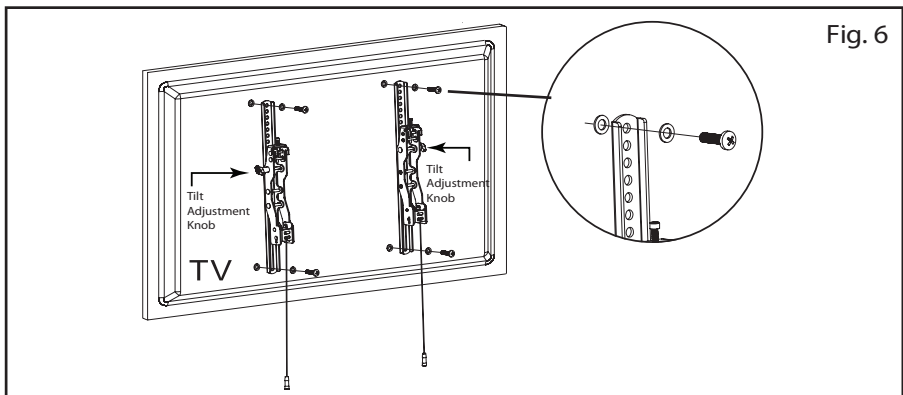
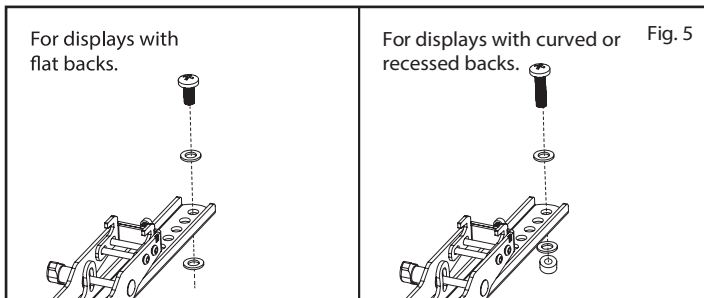
**CAUTION:** Use extra care during this part of the installation. If possible, avoid placing your display facedown as it may damage the viewing surface.

**NOTE:** This mount comes with a selection of different screw diameters and lengths to accommodate a wide variety of display models. Not all of the hardware in the kit will be used. If you cannot find the appropriate screw size in the kit provided, consult the manufacturer of your display for more information.

1. Determine the correct length of screw to use by examining the back of your display (see Fig.5):
  - If the back of your display is flat and the mounting holes are flush with

the surface, you will use the shorter screws (D, E or H) from the hardware kit.

- If the back of your display is curved, has a protrusion, or if the mounting holes are recessed, you will need to use the longer screws (I or F). You may also need to use the spacers (K).
2. Determine the correct diameter of screw to use by carefully trying one of each size (M6, M8) from the hardware kit. **Do not force any of the screws – if you feel resistance, stop immediately and try a smaller diameter screw.**
  3. Attach the mount arms to the back of your display using the screws identified in steps 1 and 2 (see Fig.6):
    - If you are using M6 screws, you will also need to use the M6 washers (G). If you are using M8 screws, use the M8 washers (J).



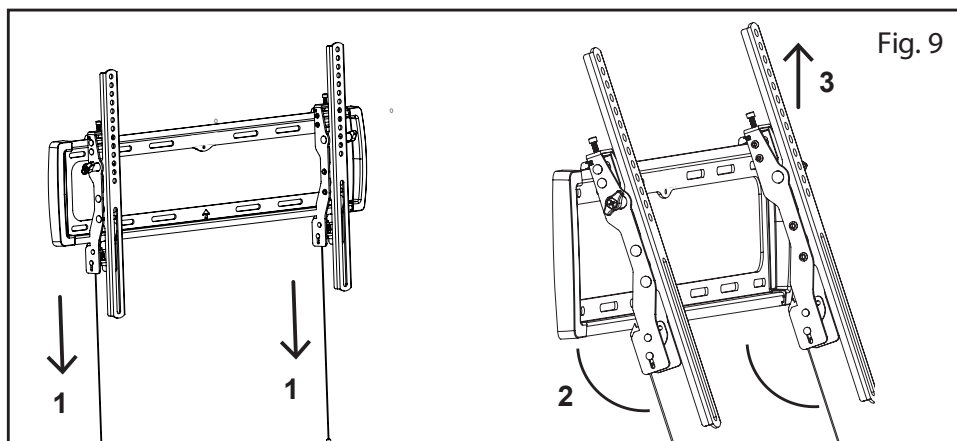
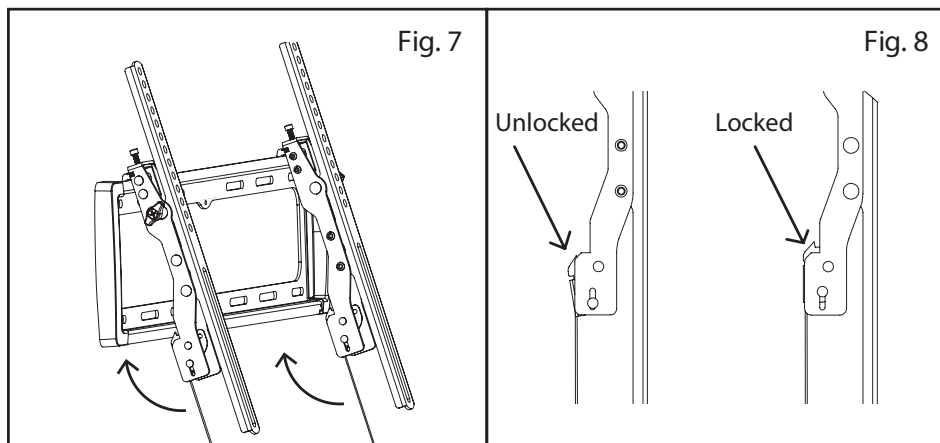
# Installation

## Part 3 - Final Assembly

- English
1. With the help of another person, carefully lift your display and place it on the wall plate. Gently apply pressure to the bottom of your display so that the clips on the mount arms lock to the wall plate (see Fig.7). **Do not release the display until the mount arms have securely hooked onto the wall plate.**

**CAUTION:** Verify that both arms are locked to the wall plate. For safety reasons, this mount cannot be used unless both arms are securely locked (see Fig.8) To avoid accidental unlocking, stow the pull strings (cords) away and out of reach of children and pets.

2. To remove your display from the wall, pull down on both cables to unlock the arms and carefully lift the display from the wall plate (see Fig.9).

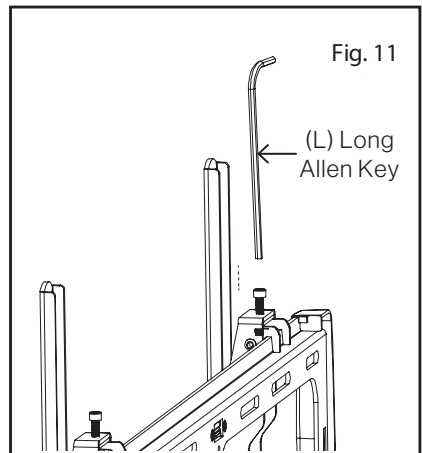
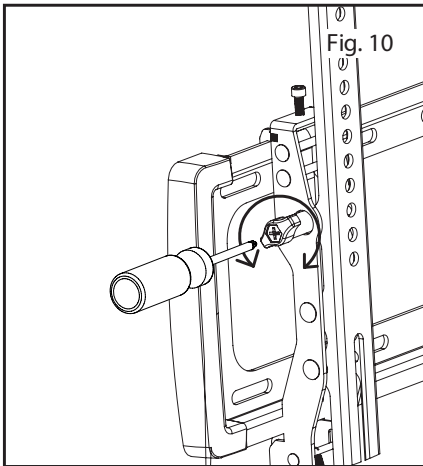


# Operation and Adjustment

## Change Tilt Angle, Level Correction Adjustments

1. To change the tilt angle of your display, have one person hold the display firmly in place while another person loosens the tilt knobs located on each mount arm. Once loosened, you may move your display to the desired position. Re-tighten the tilt knobs to lock the tilt angle in place. **Do not release the display until both tilt knobs are fully tightened.** If you are unable to loosen or fully tighten the knob by hand, the Phillips head screwdriver can also be used (see Fig.10).

2. To make level correction adjustments, have one person hold the display firmly in place while another person slightly raises or lowers the level correction screws using the long Allen key (L) (see Fig.11), which will in turn raise or lower the mount until level. **Never fully loosen or remove these screws.**
3. Periodically clean your mount with a dry cloth. Inspect all screws and hardware at regular intervals to ensure that no connections have become loose over time. Retighten as needed.







# FURRION

Furrion Ltd. (Furrion) is a wholly owned subsidiary of Lippert Components, Inc. (Lippert)

## Furrion Innovation Center & Institute of Technology

- 22244 Innovation Drive, Elkhart, IN 46514-5514, USA
- Toll free/Numéro gratuit/Línea telefónica gratuita:1-800-789-3341
- Email/Courriel/Correo electrónico: support@furrion.com

©2007-2022 Furrion Ltd. Furrion® and the Furrion logo are trademarks licensed for use by Furrion Ltd. and registered in the U.S. and other countries.

©2007-2022 Furrion Ltd. Furrion® et le logo Furrion sont des marques commerciales utilisées sous licence par Furrion Ltd. et déposées aux États-Unis et dans d'autres pays.

For Patent Info: [www.Lippert.com/patents](http://www.Lippert.com/patents)

Pour des informations sur les brevets : [www.Lippert.com/patents](http://www.Lippert.com/patents)

FURRION.COM



The contents of this manual are proprietary and copyright protected by Lippert. Lippert prohibits the copying or dissemination of portions of this manual unless prior written consent from an authorized Lippert representative has been provided. Any unauthorized use shall void any applicable warranty. The information contained in this manual is subject to change without notice and at the sole discretion of Lippert. Revised editions are available for free download from [lippert.com](http://lippert.com).

Please recycle all obsolete materials.

Les renseignements contenus dans le présent manuel peuvent seulement être distribués sous forme de document complet, à moins de recevoir l'approbation explicite de Lippert Components pour distribuer des parties individuelles. Tous les renseignements contenus dans le présent manuel peuvent être modifiés sans préavis. Les éditions révisées pourront être téléchargées gratuitement sur le site [lci1.com](http://lci1.com). Ces renseignements sont considérés comme étant factuels jusqu'à ce qu'une version révisée les rende désuets.

Veuillez recycler tout le matériel désuet.

For all concerns or questions, please contact Lippert.

Communiquer avec Lippert Components si vous avez des questions ou des préoccupations.

Ph: 432-LIPPERT (432-547-7378) | Web: [lippert.com](http://lippert.com) | Email: [customerservice@lci1.com](mailto:customerservice@lci1.com)