

JOB NAME:

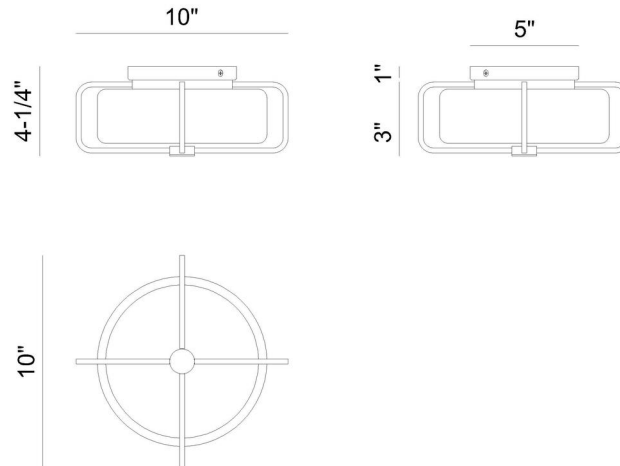
DATE:

TYPE:

COMMENTS:



49906-011



**LIGHT INFORMATION**

Light Type	Integrated LED
CRI	90
Delivered Lumens	552
Color Temperature	3000K
LED Lifespan (L70)	52000
Number of Lights	1
Light Direction	Ambient
Dimming Method	Triac
Current Type	AC
Input Voltage	120
Total Wattage	12

**DIMENSIONS & WEIGHT**

Width (In)	10
Height (In)	10
Ext (In)	4.25
Weight (Lbs)	2.65

**INSTALLATION**

Mounting Type	J-Box
Rating	Wet
Hanging Support Type	J-Box

**PRODUCT FINISH**

Sand Black

**SHADE FINISH**

Clear Glass

**PRODUCT FEATURES**

Marine Grade

**CERTIFICATIONS & COMPLIANCE**

