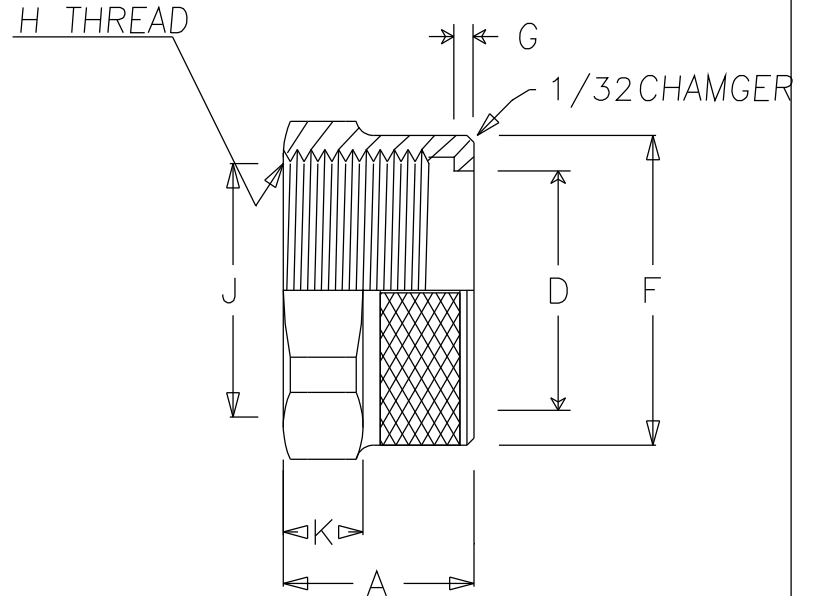
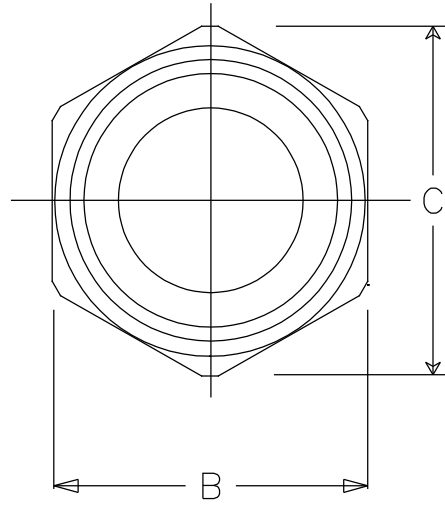


DI MENS I ONS

KNURL = 20 PITCH, 90 DEGREE,

- A 0.940 \*
- B HEX 1 9/16"
- C DI A. 1.71
- D BORE 1.239 \*
  
- F DI A. 1 9/16"
- G 0.098
- H 1 3/8-16THREAD \*
- J BORE 1.312 \*
- K 0.37



QUARTER SECTI ON

REV.	DATE	CHANGE	
C	4/7/92	CHANGE TO HEX BAR STOCK	UNLESS OTHERWISE SPECIFIED 3-PLC. DIM. +/- .005 2-PLC. DIM. +/- .010 1-PLC. DIM. +/- .015 FRACTIONAL +/- 1/64 ANGULAR +/- °1
D	2/16/95	REDRAWN USING CADD 6	
D	10/13/97	ADD TOLERANCE CHART	

**REMKE INDUSTRIES**  
 Wheeling, Illinois 60090

SCALE: APPROX FULL  
 MATERIAL: 6262T6511  
 FINISH: NATURAL  
 PART NAME: NUT  
 PART NUMBER: RSR-300-ND  
 DRAWING DATE: 801205