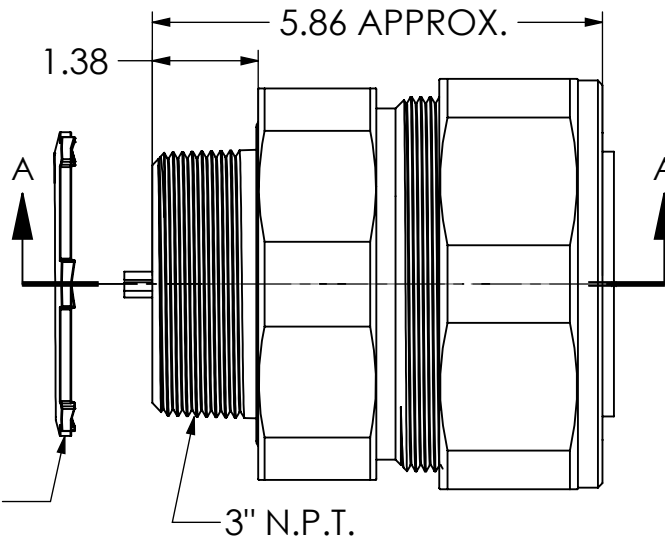


Ø5.36
BODY

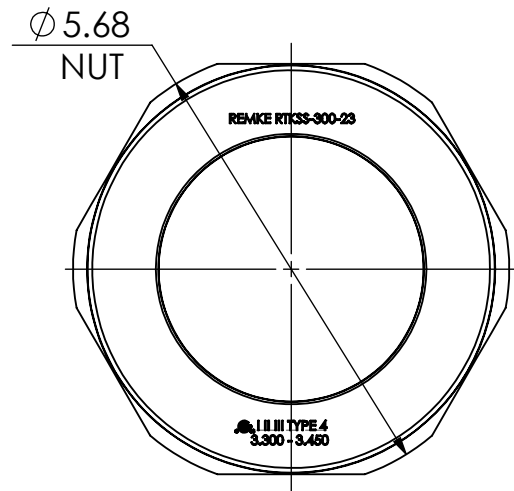


5.86 APPROX.

1.38

3" N.P.T.

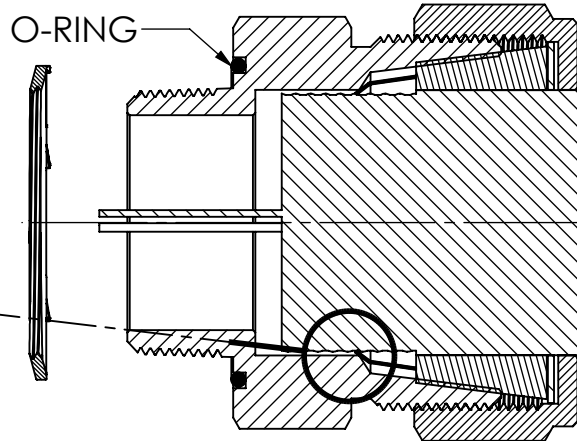
LOCK RING
OPTIONAL
ADD: L



Ø5.68
NUT

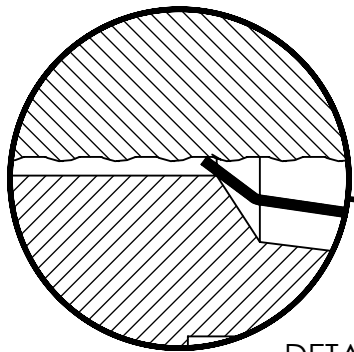
REMKE RTKSS-300-23

L1 III TYPE 4
3.300 - 3.460

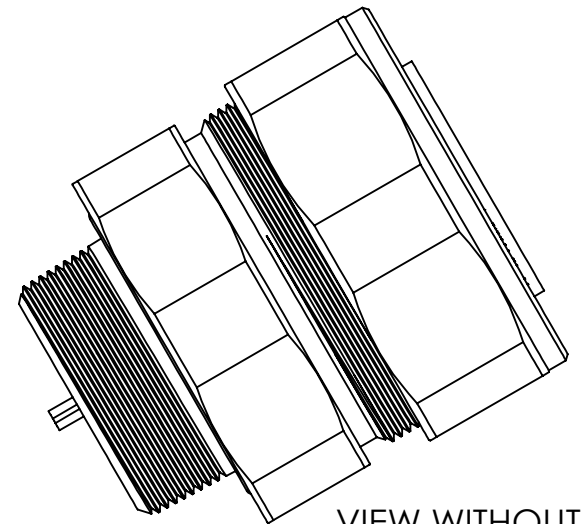


O-RING

SECTION A-A



DETAIL B
SCALE 1.5 : 1



VIEW WITHOUT
LOCK NUT



REV.	DATE	CHANGE
A	7/30/14	DRAWING RELEASED

UNLESS OTHERWISE SPECIFIED: DIMENSIONS ARE IN INCHES TOLERANCES: FRACTIONAL ± 1/64 ANGULAR: MACH ± 1° BEND ± 1° ONE PLACE DECIMAL ± .015 TWO PLACE DECIMAL ± .010 THREE PLACE DECIMAL ± .005 INTERPRET GEOMETRIC TOLERANCING PER: MATERIAL STAINLESS FINISH DO NOT SCALE DRAWING

NAME	DATE
JCN	7/14
DRAWN	
CHECKED	
ENG APPR.	
MFG APPR.	
Q.A.	
PROPRIETARY AND CONFIDENTIAL	
THE INFORMATION CONTAINED IN THIS DRAWING IS THE SOLE PROPERTY OF REMKE INDUSTRIES. ANY REPRODUCTION IN PART OR AS A WHOLE WITHOUT THE WRITTEN PERMISSION OF REMKE INDUSTRIES IS PROHIBITED.	

REMKE REMKE INDUSTRIES 310 CHADDICK DR, WHEELING, IL. 60090	
TITLE:	
SIZE A	DWG. NO. RTKSS-300-23
SCALE: 1:2	SHEET 1 OF 1