

POLARIS[®]



UTILITY CONNECTORS
PRODUCT CATALOG



POLARIS[®]

UTILITY CONNECTORS
PRODUCT CATALOG

GENERAL INDEX

A: Three Phase Transformer Connectors for Underground Use		
A-1	PTLM	Medium Duty Transformer Lugs
A-2, A-3	PTLH	Heavy Duty Transformer Lugs
A-4	PTLIH	Heavy Duty Transformer Lugs (Lay-In Connector)
A-5	PTLHK	Heavy Duty Transformer Lugs (Stacked Space Saving Connector)
A-6	PTLIHS	Heavy Duty Transformer Lugs (Stacked Lay-In Connector)
A-7	PPX & PPOX	Flat Pad Extensions
A-8	PBA	Stainless Steel Bolt Assemblies
B: Single Phase Transformer Connectors for Underground Use		
B-1	PSMTL	Secondary Stud Mount Transformer Connectors
B-2	IPCSMTL	Insulated Secondary Stud Mount Transformer Connectors
B-3	PSMTLE	Secondary Multi-Stud Mount Transformer Connectors
B-4	PSSTL	Space Saving Stud Mount Transformer Connectors
B-5	PTLZ	"Z" Transformer Connectors
B-6	IPCTLZ	Insulated "Z" Transformer Connectors
B-7	PTLZ-U	Universal Multi-Stud "Z" Transformer Connectors
B-8	PTLEZ	Multi-Stud "Z" Transformer Connectors
B-9	PTLEZ-REV	Multi-Stud, Space Saving "Z" Transformer Connectors
B-10	PSMAL	Disconnectable "Screw-on" Transformer Connectors
C: Overhead Connectors		
C-1, C-2	PPT	Pin Type Transformer Connectors
C-3	PPT-90	90-Degree Pin Type Transformer Connector
C-4	PPT-H	Pin Type Transformer Connectors w/ Hex Bolts
C-5	IPPT	UV Stable Insulated Pin Type Transformer Connectors
C-6	PSEC	Overhead Distribution Connector
C-7	PLIOC	In Span Lay-in Overhead Connector
C-8	PNMTL	Nema Mount Transformer Connector
D: Pedestal Connectors		
D-1	PL	Pedestal Connectors
D-2	PLH	Heavy Duty Pedestal Connectors
D-3	PLI	"Lay-In" Pedestal Connectors
D-4	IPLC	Insulated Pedestal Connectors
D-5	PLZ	"Z" Pedestal Connectors
D-6	IPCLZ & IPLZ	Insulated "Z" Pedestal Connectors
D-7	IPLWB	Submersible Pedestal Connector
D-9	SSWB	Submersible Splice Connectors
D-10	PSR	Splicers / Reducers
E: Metering and Streetlighting Products		
E-1	SLC & SLOC	Insulated Streetlight Connectors
E-2	SLWB & SLOWB	Submersible Streetlight Connectors
E-3	PL-2N & PPL	Single Hole Solderless Lugs
E-4	P2L & PP2L	Two Conductor Solderless Lugs
E-5	P3L & PP3L	Three Conductor Solderless Lugs
E-6	P4L & PP4L	Four Conductor Solderless Lugs
E-7	PDL	PDL Disposable Enclosure Locks

ABOUT US

Polaris Connectors began manufacturing electrical connectors in 1985 with only 10 employees. The name "Polaris" was adopted from the Polaris submarine, which was a pioneer in the US Navy's technological innovation. Polaris is now well known among those in the electrical industry for its innovation, unique design and high quality electrical connectors.

Our capabilities include:

- Complete Engineering and Design
- Certified client test data facility to perform UL and CSA requirements, to ensure our connectors adhere to all standards.
- Dip tanks to insulate virtually any customer connector design.

Polaris is continually improving and developing new products to service our customer needs. Our standard product offering works well for most customer applications, but if your need requires a custom connector; we want to be the one you contact first.

Solutions for the Utility Market

Since 2005 Polaris has been manufacturing electrical connectors for the utility industry. We have grown significantly since our entrance into the utility market. We now have representation throughout the United States and continue to grow in each market. We offer a variety of different connectors for underground and overhead applications, and are constantly looking for new ways to service our customers through improved designs, quality, and service. If your application calls for a custom design, we can help.

Our production facility in Odessa, Florida employs the latest in copper and aluminum manufacturing and production technology, with all products conforming to the highest standards of internationally recognized quality. We have the capacity, experience, and engineering expertise to manufacture and test any custom connector you may require.



MINIMUM ORDER CHARGE PER ITEM: \$300.00

Prices:

Price discrepancies will be communicated for clarification and approval prior to order entry.

Transportation Terms:

Freight allowed on orders over \$3,000.00 unless otherwise agreed upon in writing.

Customer responsible for all expedited shipping charges.

F.O.B. shipping point.

Payment Terms:

Net 30 Days. No cash discounts.

Claims and Errors:

Claims for shortages, erroneous charges or price corrections must be presented within 30 days of date of invoice or they cannot be allowed. Carriers are responsible for goods lost or damaged in transit.

Cancellations:

Orders placed cannot be cancelled or deliveries extended without the written consent of Polaris, and upon terms which will indemnify Polaris against all losses. On orders for special items, Polaris reserves the right to invoice cancellation charges for material.

Returned Goods:

All Polaris connectors are subject to rigid inspection before shipment. Imperfect material which might occasionally occur in a production run will be replaced. An RMA must be issued for any materials to be returned and must accompany the materials when returned.

Warranties:

Polaris Guarantees all products to be free of defects in material and workmanship at the date of sale. Our obligation under this warranty is limited to the replacement of any product proved to be defective within 6 months from the date of delivery.

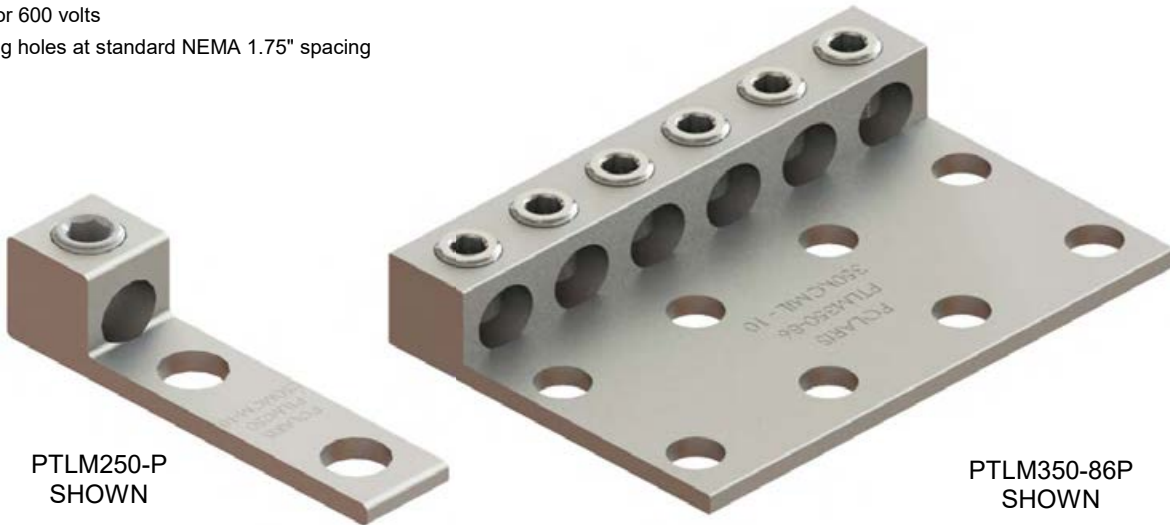
Governing Law:

This contract shall be governed by and construed in accordance with the laws of the State of Florida. Polaris products are manufactured under the best quality control standards utilized by our industry. Generally, products are subjected to tests recognized by the National Electrical Manufacturers Association (NEMA), American National Standards Institute (ANSI), Underwriters Laboratories (U/L), Canadian Standards Association (CSA) and/or other governing bodies as applicable under the specific circumstances.

Utility - Three Phase Transformer Connectors for Underground Use

PTLM - Medium Duty Transformer Lugs

- * Manufactured from high strength 6061-T6 aluminum alloy to provide premium electrical and mechanical performance
- * Dual rated for copper or aluminum conductors
- * Range taking design reduces inventory
- * Rated for 600 volts
- * Mounting holes at standard NEMA 1.75" spacing



PTLM250-P
SHOWN

PTLM350-86P
SHOWN

Catalog Number	Mounting Holes	Number of Ports	Dimensions, Inches			Wire Range KCMIL
			W	H	L	
PTLM250-P	2	1	0.88	1.02	3.88	250 - #10
PTLM250-42P	4	2	2.88			
PTLM250-43P	4	3	2.88			
PTLM250-64P	6	4	4.63			
PTLM350-P	2	1	1.00	1.13	4.25	350 - #10
PTLM350-42P	4	2	2.88			
PTLM350-43P	4	3	3.12			
PTLM350-64P	6	4	4.63			
PTLM350-86P	8	6	6.25	1.56	4.31	500 - #10
PTLM500-P	2	1	1.25			
PTLM500-42P	4	2	2.88			
PTLM500-43P	4	3	3.50			
PTLM500-64P	6	4	4.63			
PTLM500-86P	8	6	6.88			
PTLM500-108P	10	8	9.13			

OPTIONS:

A - Anodized set screws

T - Tin plated

For omission of oxide inhibitor delete suffix "P"

Covers available

Example:
PTLM500-64AP
Anodized Screws
Inhibitor (must be last)

Consult factory for additional configurations not listed

Utility - Three Phase Transformer Connectors for Underground Use

PTLH - Heavy Duty Transformer Lugs

- * Manufactured from high strength 6061-T6 aluminum alloy to provide premium electrical and mechanical performance
- * Dual rated for copper or aluminum conductors
- * Meets or exceeds ANSI C119.4 Class A specifications
- * Range taking design reduces inventory
- * Rated for 600 volts
- * Mounting holes at standard NEMA 1.75" spacing



Catalog Number	Mounting Holes	Number of Ports	Dimensions, Inches			Wire Range KCMIL
			W	H	L	
PTLH350-P	2	1	1.00	1.50	5.50	350 - #10
PTLH350-42P	4	2	2.75			
PTLH350-43P	4	3	3.12			
PTLH350-64P	6	4	4.50			
PTLH350-86P	8	6	6.25			
PTLH350-108P	10	8	8.25			
PTLH500-P	2	1	1.25	1.50	5.50	500 - #10
PTLH500-42P	4	2	2.75			
PTLH500-43P	4	3	3.50			
PTLH500-64P	6	4	4.63			
PTLH500-86P	8	6	6.88			
PTLH500-108P	10	8	9.13			
PTLH600-P	2	1	1.38	1.50	5.50	600 - #6
PTLH600-42P	4	2	2.88			
PTLH600-43P	4	3	3.88			
PTLH600-64P	6	4	5.13			

Continued on next page

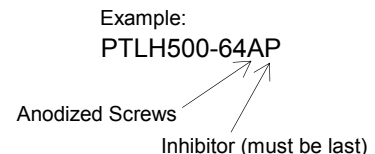
OPTIONS:

A - Anodized set screws

T - Tin plated

For omission of oxide inhibitor delete suffix "P"

Covers available



Consult factory for additional configurations not listed

Utility - Three Phase Transformer Connectors for Underground Use

PTLH - Heavy Duty Transformer Lugs

- * Manufactured from high strength 6061-T6 aluminum alloy to provide premium electrical and mechanical performance
- * Dual rated for copper or aluminum conductors
- * Meets or exceeds ANSI C119.4 class A specifications
- * Range taking design reduces inventory
- * Rated for 600 volts
- * Mounting holes at standard NEMA 1.75" spacing



PTLH500-64P
SHOWN

Catalog Number	Mounting Holes	Number of Ports	Dimensions, Inches			Wire Range KCMIL
			W	H	L	
PTLH600-86P	8	6	7.63	1.50	5.50	600 - #6
PTLH600-128P	12	8	10.13			
PTLH750-P	2	1	1.44	1.81	6.19	750 - 1/0
PTLH750-42P	4	2	2.75			
PTLH750-43P	4	3	4.06			
PTLH750-64P	6	4	5.37			
PTLH750-84P	8	4	6.25			
PTLH750-106P	10	6	8.00			
PTLH750-128P	12	8	10.40	1.81	6.19	1000 - 1/0
PTLH1000-P	2	1	1.63			
PTLH1000-42P	4	2	3.25			
PTLH1000-43P	4	3	4.75			
PTLH1000-84P	8	4	6.25			
PTLH1000-126P	12	6	9.88			
PTLH1000-148P	14	8	12.25			

OPTIONS:

Δ - Anodized set screws

Example:

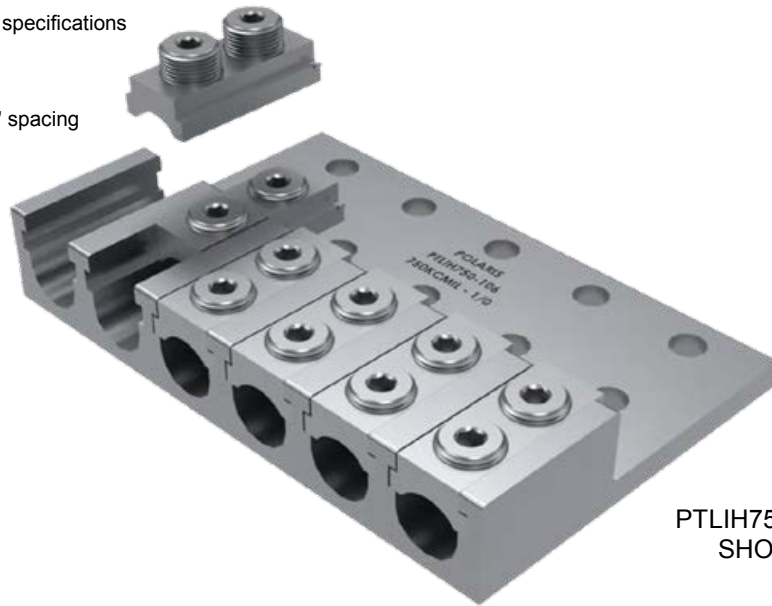
PTLH500-64ΔP

Consult factory for additional configurations not listed

Utility - Three Phase Transformer Connectors for Underground Use

PTLIH - Heavy Duty Transformer Lugs (Lay-In Connector)

- * Manufactured from high strength 6061-T6 aluminum alloy to provide premium electrical and mechanical performance
- * Dual rated for copper or aluminum conductors
- * Meets or exceeds ANSI C119.4 class A specifications
- * Range taking design reduces inventory
- * Rated for 600 volts
- * Mounting holes at standard NEMA 1.75" spacing



PTLIH750-106P
SHOWN

Catalog Number	Mounting Holes	Number of Ports	Dimensions, Inches			Wire Range KCMIL
			W	H	L	
PTLIH600-P	2	1	1.68	1.69	5.50	600 - #2
PTLIH600-42P	4	2	3.15			
PTLIH600-63P	6	3	4.63			
PTLIH600-84P	8	4	6.38			
PTLIH600-106P	10	6	8.75			
PTLIH600-148P	14	8	11.63			
PTLIH750-P	2	1	1.75	1.81	6.19	750 - 1/0
PTLIH750-42P	4	2	3.25			
PTLIH750-63P	6	3	4.75			
PTLIH750-84P	8	4	6.25			
PTLIH750-106P	10	6	9.25			
PTLIH750-148P	14	8	12.25			
PTLIH1000-P	2	1	2.00	1.81	6.19	1000 - 1/0
PTLIH1000-42P	4	2	3.63			
PTLIH1000-63P	6	3	5.31			
PTLIH1000-84P	8	4	7.00			
PTLIH1000-126P	12	6	10.38			
PTLIH1000-168P	16	8	13.75			

OPTIONS:

A - Anodized set screws

T - Tin plated

For omission of oxide inhibitor delete suffix "P"

Covers available

Example:

PTLIH750-106AP

Anodized Screws

Inhibitor (must be last)

Consult factory for additional configurations not listed

Utility - Three Phase Transformer Connectors for Underground Use

PTLHK - Heavy Duty Transformer Lugs (Stacked Space Saving Connector)

- * Manufactured from high strength 6061-T6 aluminum alloy to provide premium electrical and mechanical performance
- * Dual rated for copper or aluminum conductors
- * Meets or exceeds ANSI C119.4 class A specifications
- * Range taking design reduces inventory
- * Rated for 600 volts
- * Mounting holes at standard NEMA 1.75" spacing



PTLHK750-88P
SHOWN

Catalog Number	Mounting Holes	Number of Ports	Dimensions, Inches			Wire Range KCMIL
			W	H	L	
PTLHK750-22P	2	2	1.44	4.00	8.63	750 - 1/0
PTLHK750-44P	4	4	2.75			
PTLHK750-66P	6	6	4.75			
PTLHK750-88P	8	8	6.50			
PTLHK750-1010P	10	10	8.00			
PTLHK750-1012P	10	12	8.00			
PTLHK750-1416P	14	16	11.50	4.00	8.63	1000 - 1/0
PTLHK1000-22P	2	2	1.75			
PTLHK1000-44P	4	4	3.25			
PTLHK1000-66P	6	6	4.75			
PTLHK1000-88P	8	8	6.50			
PTLHK1000-1010P	10	10	8.13			
PTLHK1000-1212P	12	12	9.75			
PTLHK1000-1416P	14	16	12.25			

OPTIONS:

A - Anodized set screws

T - Tin plated

For omission of oxide inhibitor delete suffix "P"

Covers available

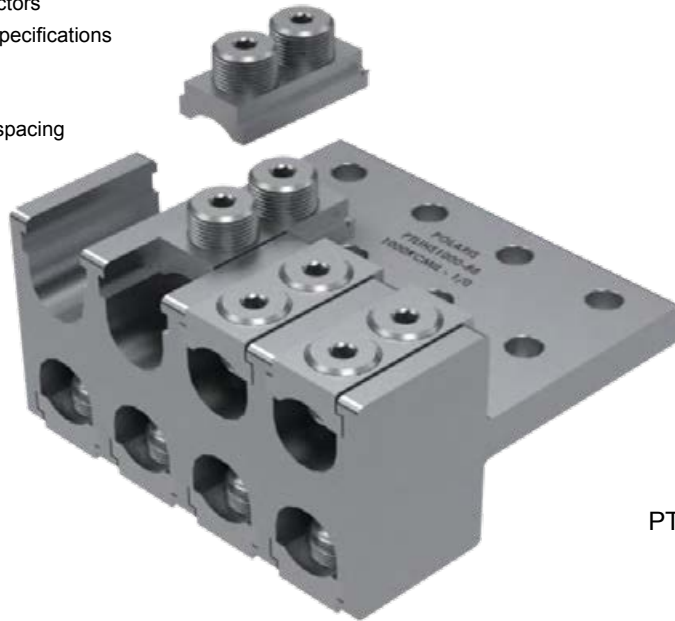
Example:
PTLHK750-88AP
Anodized Screws
Inhibitor (must be last)

Consult factory for additional configurations not listed

Utility - Three Phase Transformer Connectors for Underground Use

PTLIHS - Heavy Duty Transformer Lugs (Stacked Lay-In Connector)

- * Manufactured from high strength 6061-T6 aluminum alloy to provide premium electrical and mechanical performance
- * Dual rated for copper or aluminum conductors
- * Meets or exceeds ANSI C119.4 class A specifications
- * Range taking design reduces inventory
- * Rated for 600 volts
- * Mounting holes at standard NEMA 1.75" spacing



PTLIHS1000-88P
SHOWN

Catalog Number	Mounting Holes	Number of Ports	Dimensions, Inches			Wire Range KCMIL
			W	H	L	
PTLIHS750-22P	2	2	1.75	4.00	6.75	750 - 1/0
PTLIHS750-44P	4	4	3.25			
PTLIHS750-66P	6	6	4.75			
PTLIHS750-88P	8	8	6.25			
PTLIHS750-1010P	10	10	8.00			
PTLIHS750-1212P	12	12	9.75			
PTLIHS750-1616P	16	16	13.50			
PTLIHS1000-22P	2	2	2.00	4.00	6.75	1000 - 1/0
PTLIHS1000-44P	4	4	3.63			
PTLIHS1000-66P	6	6	5.31			
PTLIHS1000-88P	8	8	7.00			
PTLIHS1000-1010P	10	10	8.69			
PTLIHS1000-1212P	12	12	10.38			
PTLIHS1000-1616P	16	16	13.75			

OPTIONS:

A - Anodized set screws

T - Tin plated

For omission of oxide inh bitor delete suffix "P"

Additional support mounting holes also available - Consult Factory

Covers available

Example:
PTLIHS1000-88AP
Anodized Screws
Inhibitor (must be last)

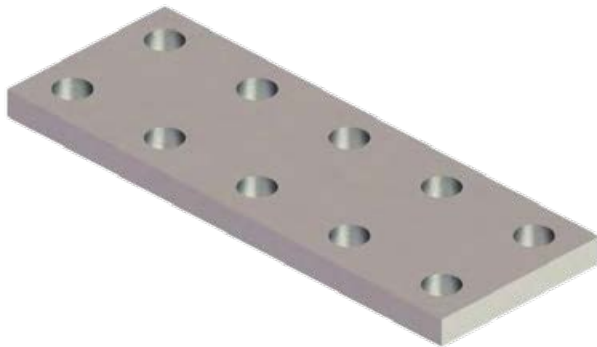
Consult factory for additional configurations not listed

Utility - Three Phase Transformer Connectors for Underground Use

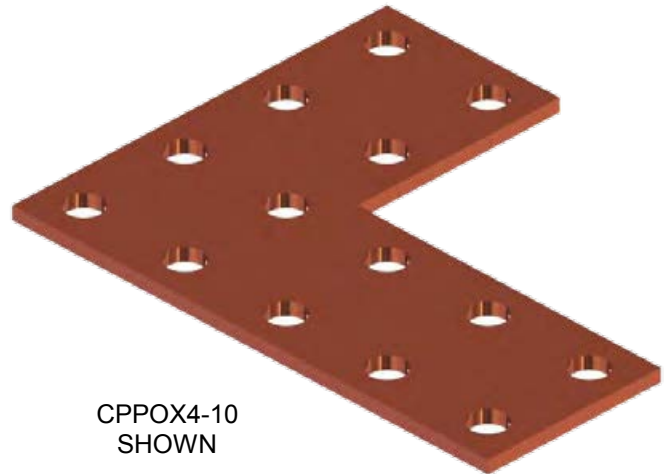
PPX & PPOX - Flat Pad Extensions

* Manufactured from high strength 6061-T6 aluminum alloy or copper as marked below

* 9/16" Mounting holes at standard NEMA 1.75" spacing



PPX10
SHOWN



CPPOX4-10
SHOWN

Catalog Number	Material Type	Dimensions, Inches		
		L	W	Thickness
PPX6	Aluminum	4.75	3.00	0.50
PPX8	Aluminum	6.50	3.00	0.50
PPX10	Aluminum	8.25	3.00	0.50
PPX12	Aluminum	10.00	3.00	0.75
PPOX4-6	Aluminum	4.75	6.50	0.50
PPOX4-8	Aluminum	6.50	6.50	0.50
PPOX4-10	Aluminum	8.25	6.50	0.75
PPOX4-12	Aluminum	10.00	6.50	0.75
CPPX6	Copper	4.75	3.00	0.25
CPPX8	Copper	6.50	3.00	0.25
CPPX10	Copper	8.25	3.00	0.25
CPPX12	Copper	10.00	3.00	0.50
CPPOX4-6	Copper	4.75	6.50	0.25
CPPOX4-8	Copper	6.50	6.50	0.25
CPPOX4-10	Copper	8.25	6.50	0.25
CPPOX4-12	Copper	10.00	6.50	0.50

OPTIONS:
T - Tin Plated

Example:
CPPOX4-10-T
↑
Tin Plated

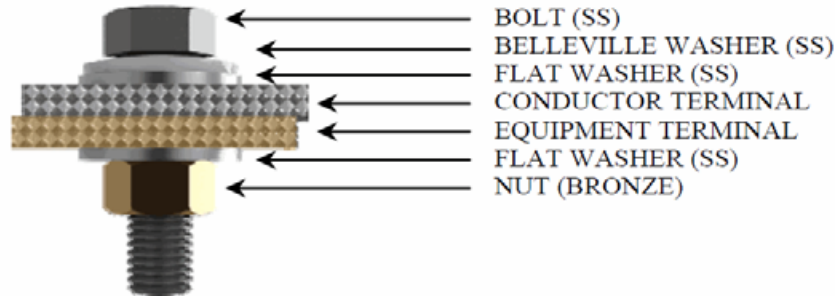
Consult factory for additional configurations not listed

Utility - Three Phase Transformer Connectors for Underground Use

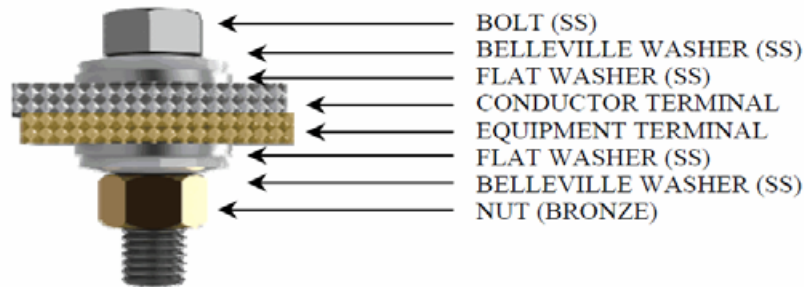
PBA - Stainless Steel Bolt Assemblies

- * Stainless bolts and washers
- * Silicon bronze nuts

PBA STANDARD DUTY



PBAHD HEAVY DUTY



Catalog Number	Max Clamping	
	Range	Bolt Length
PBA15	0.63	1.50
PBA17	0.88	1.75
PBA20	1.13	2.00
PBA25	1.63	2.50
PBA30	2.13	3.00
PBA35	2.63	3.50
PBA15HD	0.50	1.50
PBA17HD	0.75	1.75
PBA20HD	1.00	2.00
PBA25HD	1.50	2.50
PBA30HD	2.00	3.00
PBA35HD	2.50	3.50

*HD includes two Belleville washers

Consult factory for additional configurations not listed

Utility - Single Phase Transformer Connectors for Underground Use

PSMTL - Secondary Stud Mount Transformer Connectors

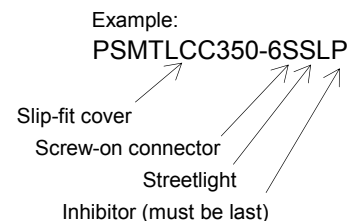
- * Manufactured from high strength 6061-T6 aluminum alloy to provide premium electrical and mechanical performance
- * Dual rated for copper or aluminum conductors
- * Meets or exceeds ANSI C119.4 Class A specifications
- * Range taking design reduces inventory
- * Rated for 600 Volts



Catalog Number		Stud Size	Number of Ports	Dimensions, Inches			Wire Range KCMIL
Slip Fit	Screw-on			L	W	H	
PSMTL250-4P	PSMTL250-4SP	5/8" - 11	4	5.17	0.88	1.13	250 - #10
PSMTL250-6P	PSMTL250-6SP	5/8" - 11	6	6.90			
PSMTL250-8P	PSMTL250-8SP	5/8" - 11	8	8.62			
PSMTL350-4P	PSMTL350-4SP	5/8" - 11	4	5.55	0.88	1.25	350 - #10
PSMTL350-6P	PSMTL350-6SP	5/8" - 11	6	7.55			
PSMTL350-8P	PSMTL350-8SP	5/8" - 11	8	9.68			
PSMTL500-4P	PSMTL500-4SP	1" - 14	4	6.43	1.38 Slip Fit 1.13 Screw-on	1.63	500 - #10
PSMTL500-6P	PSMTL500-6SP	1" - 14	6	8.58			
PSMTL500-8P	PSMTL500-8SP	1" - 14	8	10.93			
PSMTL600-4P	PSMTL600-4SP	1" - 14	4	7.03	1.38 Slip Fit 1.13 Screw-on	1.63	600 - #10
PSMTL600-6P	PSMTL600-6SP	1" - 14	6	9.53			
PSMTL600-8P	PSMTL600-8SP	1" - 14	8	12.03			
PSMTL750-4P	PSMTL750-4SP	1" - 14	4	7.64	1.38 Slip Fit 1.25 Screw-on	1.75	750 - 1/0
PSMTL750-6P	PSMTL750-6SP	1" - 14	6	10.26			
PSMTL750-8P	PSMTL750-8SP	1" - 14	8	12.89			

OPTIONS:

- SC - Lock on cover (PSMTLSC Prefix)
- CC - Slip on cover (PSMTLCC Prefix)
- A - Anodized set screws
- T - Tin plated
- SL - 1/0 - #14 Streetlight outlet, adds apx. 7/8" to length
- K - Kit (two insulated and one bare)
- For omission of oxide inh bitor delete suffix "P"

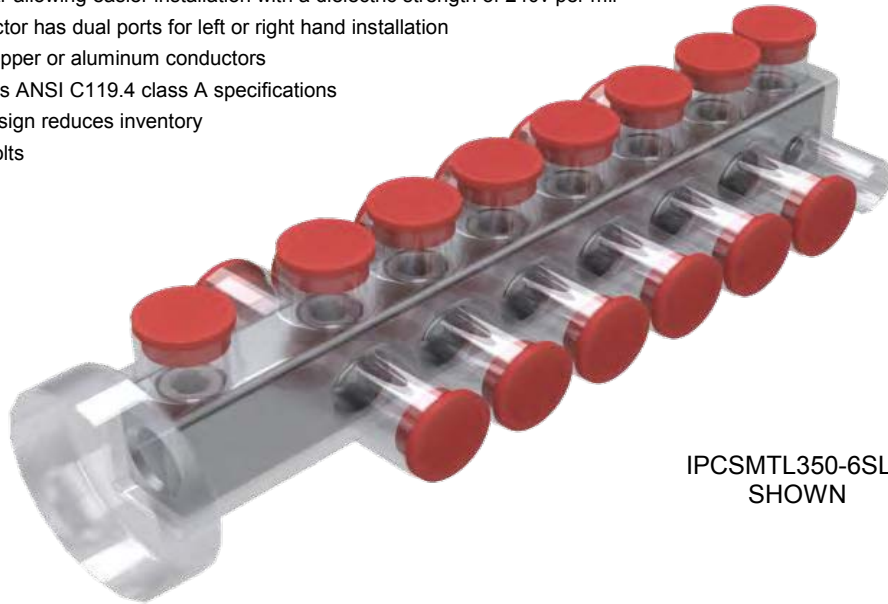


Consult factory for additional configurations not listed

Utility - Single Phase Transformer Connectors for Underground Use

IPCSMTL - Insulated Secondary Stud Mount Transformer Connectors

- * Manufactured from high strength 6061-T6 aluminum alloy to provide premium electrical and mechanical performance
- * Insulation is clear allowing easier installation with a dielectric strength of 240v per mil
- * Insulated connector has dual ports for left or right hand installation
- * Dual rated for copper or aluminum conductors
- * Meets or exceeds ANSI C119.4 class A specifications
- * Range taking design reduces inventory
- * Rated for 600 Volts



IPCSMTL350-6SLP
SHOWN

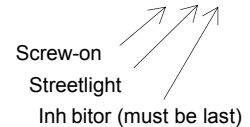
Catalog Number		Stud Size	Number of Ports	Dimensions, Inches			Wire Range KCMIL
Slip Fit	Screw-on			L	W	H	
IPCSMTL250-4P	IPCSMTL250-4SP	5/8" - 11	4	5.80	2.38	2.18	250 - #10
IPCSMTL250-6P	IPCSMTL250-6SP	5/8" - 11	6	7.53			
IPCSMTL250-8P	IPCSMTL250-8SP	5/8" - 11	8	9.26			
IPCSMTL350-4P	IPCSMTL350-4SP	5/8" - 11	4	6.68	3.13	2.11	350 - #10
IPCSMTL350-6P	IPCSMTL350-6SP	5/8" - 11	6	8.93			
IPCSMTL350-8P	IPCSMTL350-8SP	5/8" - 11	8	10.31			
IPCSMTL500-4P	IPCSMTL500-4SP	1" - 14	4	7.56	3.13 Slip Fit 2.88 Screw-on	2.63	500 - #10
IPCSMTL500-6P	IPCSMTL500-6SP	1" - 14	6	10.03			
IPCSMTL500-8P	IPCSMTL500-8SP	1" - 14	8	11.56			
IPCSMTL600-4P	IPCSMTL600-4SP	1" - 14	4	7.83	3.13 Slip Fit 2.88 Screw-on	2.63	600 - #10
IPCSMTL600-6P	IPCSMTL600-6SP	1" - 14	6	10.52			
IPCSMTL600-8P	IPCSMTL600-8SP	1" - 14	8	12.62			
IPCSMTL750-4P	IPCSMTL750-4SP	1" - 14	4	8.59	3.39 Slip Fit 3.26 Screw-on	2.95	750 - 1/0
IPCSMTL750-6P	IPCSMTL750-6SP	1" - 14	6	11.44			
IPCSMTL750-8P	IPCSMTL750-8SP	1" - 14	8	13.95			

Also available in Black insulation - remove C from catalog number - ex. IPSMTL350-6SSLP

OPTIONS:

- A - Anodized set screws
- SL - 1/0 - #14 Streetlight outlet, adds apx. 7/8" to length
- K - Kit (two insulated and one bare)
- For omission of oxide inh bitor delete suffix "P"

Example:
IPCSMTL350-6SSLP

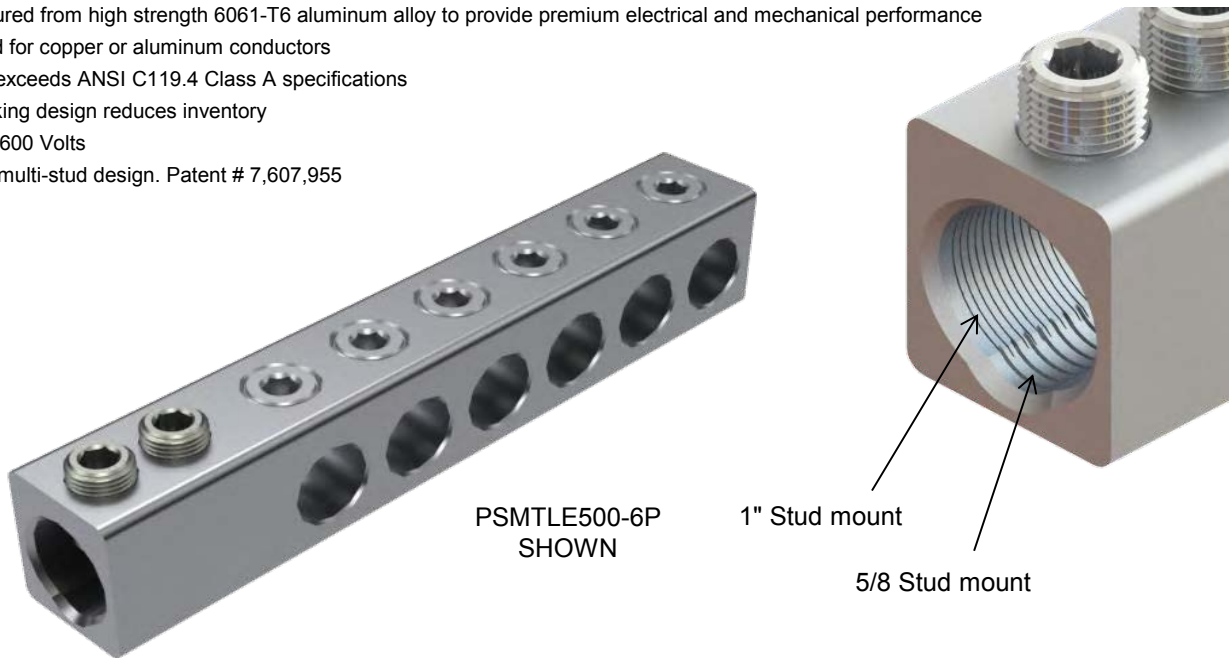


Consult factory for additional configurations not listed

Utility - Single Phase Transformer Connectors for Underground Use

PSMTLE - Secondary Multi-Stud Mount Transformer Connectors

- * Manufactured from high strength 6061-T6 aluminum alloy to provide premium electrical and mechanical performance
- * Dual rated for copper or aluminum conductors
- * Meets or exceeds ANSI C119.4 Class A specifications
- * Range taking design reduces inventory
- * Rated for 600 Volts
- * Patented multi-stud design. Patent # 7,607,955



PSMTLE500-6P
SHOWN

1" Stud mount

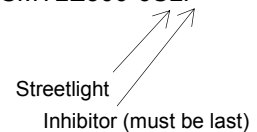
5/8" Stud mount

Catalog Number	Stud	Size	Number of Ports	Dimensions, Inches			Wire Range KCMIL
				L	W	H	
PSMTLE350-4P	5/8"-11, 1"-14		4	6.13	1.38	1.63	350 - #10
PSMTLE350-6P	5/8"-11, 1"-14		6	8.13			
PSMTLE350-8P	5/8"-11, 1"-14		8	10.13			
PSMTLE500-4P	5/8"-11, 1"-14		4	6.56	1.38	1.63	500 - #10
PSMTLE500-6P	5/8"-11, 1"-14		6	8.81			
PSMTLE500-8P	5/8"-11, 1"-14		8	11.06			
PSMTLE600-4P	5/8"-11, 1"-14		4	7.03	1.38	1.63	600 - #10
PSMTLE600-6P	5/8"-11, 1"-14		6	9.53			
PSMTLE600-8P	5/8"-11, 1"-14		8	12.03			
PSMTLE750-4P	5/8"-11, 1"-14		4	7.64	1.38	1.75	750 - 1/0
PSMTLE750-6P	5/8"-11, 1"-14		6	10.08			
PSMTLE750-8P	5/8"-11, 1"-14		8	12.71			

OPTIONS:

- SC - Lock on cover (PSMTLESC Prefix)
 - CC - Slip on cover (PSMTLECC Prefix)
 - IPC - Insulated (IPCSMTLE Prefix)
 - A - Anodized set screws
 - T - Tin plated
 - SL - 1/0 - #14 Streetlight outlet, adds apx. 7/8" to length
 - K - Kit (two insulated and one bare)
- For omission of oxide inhibitor delete suffix "P"

Example:
PSMTLE500-6SLP

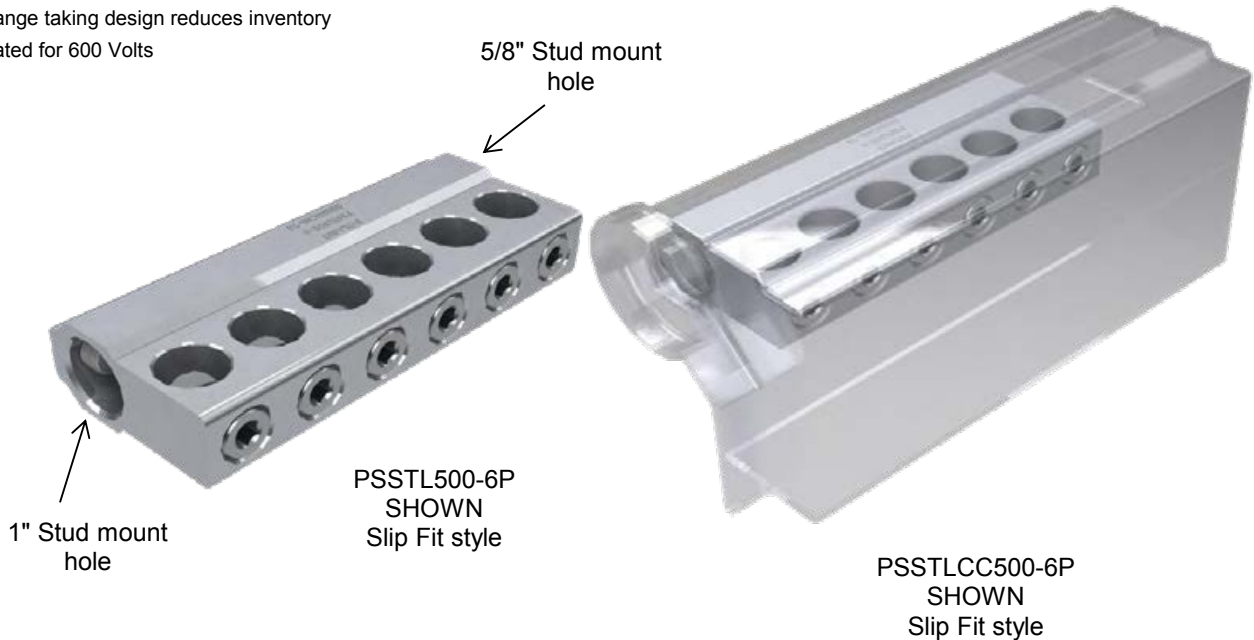


Consult factory for additional configurations not listed

Utility - Single Phase Transformer Connectors for Underground Use

PSSTL - Space Saving Stud Mount Transformer Connectors

- * Manufactured from high strength 6061-T6 aluminum alloy to provide premium electrical and mechanical performance
- * Dual rated for copper or aluminum conductors
- * Meets or exceeds ANSI C119.4 Class A specifications
- * Range taking design reduces inventory
- * Rated for 600 Volts



Catalog Number		Number of Ports	Dimensions, Inches			Wire Range KCMIL
Slip Fit	Screw-on		L	W	H	
PSSTL350-4P	PSSTL350-4SP	4	4.11	1.38	2.88	350 - #10
PSSTL350-6P	PSSTL350-6SP	6	6.11			
PSSTL350-8P	PSSTL350-8SP	8	8.11			
PSSTL500-4P	PSSTL500-4SP	4	4.59	1.38	2.88	500 - #10
PSSTL500-6P	PSSTL500-6SP	6	6.75			
PSSTL500-8P	PSSTL500-8SP	8	9.00			

OPTIONS:

- A - Anodized set screws
- T - Tin plated
- SL - 1/0 - #14 Streetlight outlet, adds apx. 7/8" to length
- CC - Clear slip on cover (PSSTLCC Prefix)
- K - Kit (three connectors and two covers)
- For omission of oxide inh bitor delete suffix "P"

Example:
PSSTLCC500-6SLP

Clear Cover
Streetlight
Inh bitor (must be last)

Consult factory for additional configurations not listed

Utility - Single Phase Transformer Connectors for Underground Use

PTLZ - "Z" Transformer Connectors

- * Manufactured from high strength 6061-T6 aluminum alloy to provide premium electrical and mechanical performance
- * Dual rated for copper or aluminum conductors
- * Meets or exceeds ANSI C119.4 Class A specifications
- * Range taking design reduces inventory
- * Rated for 600 Volts



PTLZ350-61SLP
SHOWN



PTLZSC350-61SLP
SHOWN



PTLZCC350-61SLP
SHOWN

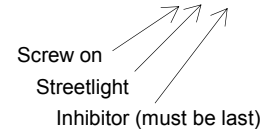
Catalog Number		Stud Size	Number of Ports	Dimensions, Inches			Wire Range KCMIL
Slip Fit	Screw-on			L	W	H	
PTLZ350-658P	PTLZ350-658SP	5/8"-11	6	4.25	1.75	2.23	350 - #10
PTLZ350-858P	PTLZ350-858SP	5/8"-11	8	5.25			
PTLZ350-61P	PTLZ350-61SP	1"-14	6	4.31	2.25	2.88	
PTLZ350-81P	PTLZ350-81SP	1"-14	8	5.31			
PTLZ500-61P	PTLZ500-61SP	1"-14	6	5.10	2.25	2.88	500 - #10
PTLZ500-81P	PTLZ500-81SP	1"-14	8	6.23			
PTLZ600-61P	PTLZ600-61SP	1"-14	6	5.13	2.25	2.88	600 - #6
PTLZ600-81P	PTLZ600-81SP	1"-14	8	6.38			
PTLZ750-61P	PTLZ750-61SP	1"-14	6	5.38	2.50	3.38	750 - 1/0
PTLZ750-81P	PTLZ750-81SP	1"-14	8	6.69			

OPTIONS:

- SC - Lock On Cover (PTLZSC Prefix)
- CC - Slip on Cover (PTLZCC Prefix)
- A - Anodized set screws
- T - Tin plated
- SL - 1/0 - #14 Streetlight outlet, adds apx. 7/8" to length
- K - Kit (two insulated and one bare)
- R - Right hand design
- For omission of oxide inhibitor delete suffix "P"

Example:

PTLZ350-658SSLP



Consult factory for additional configurations not listed

Utility - Single Phase Transformer Connectors for Underground Use

IPCTLZ - Insulated "Z" Transformer Connectors

- * Manufactured from high strength 6061-T6 aluminum alloy to provide premium electrical and mechanical performance
- * Insulation is clear allowing easier installation with a dielectric strength of 240v per mil
- * Dual rated for copper or aluminum conductors
- * Meets or exceeds ANSI C119.4 Class A specifications
- * Range taking design reduces inventory
- * Rated for 600 Volts



IPCTLZ500-61SLP
SHOWN

Catalog Number		Stud Size	Number of Ports	Connector Dimensions, Inches			Wire Range KCMIL
Slip Fit	Screw-on			L	W	H	
IPCTLZ350-658P	IPCTLZ350-658SP	5/8"-11	6	4.25	1.75	2.23	350 - #10
IPCTLZ350-858P	IPCTLZ350-858SP	5/8"-11	8	5.25			
IPCTLZ350-61P	IPCTLZ350-61SP	1"-14	6	4.31	2.25	2.88	
IPCTLZ350-81P	IPCTLZ350-81SP	1"-14	8	5.31			
IPCTLZ500-61P	IPCTLZ500-61SP	1"-14	6	5.10	2.25	2.88	500 - #10
IPCTLZ500-81P	IPCTLZ500-81SP	1"-14	8	6.23			
IPCTLZ600-61P	IPCTLZ600-61SP	1"-14	6	5.13	2.25	2.88	600 - #6
IPCTLZ600-81P	IPCTLZ600-81SP	1"-14	8	6.38			

OPTIONS:

- A - Anodized set screws
- SL - 1/0 - #14 Streetlight outlet, adds apx. 7/8" to length
- K - Kit (Two insulated and one bare)
- R - Right hand design
- For omission of oxide inhibitor delete suffix "P"

Example:

IPCTLZ500-61SLP

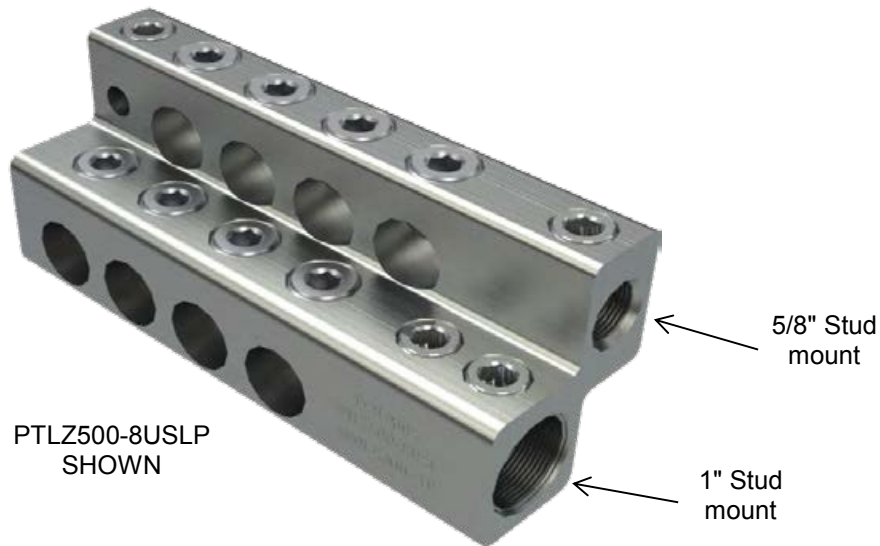


Consult factory for additional configurations not listed

Utility - Single Phase Transformer Connectors for Underground Use

PTLZ-U - Universal Multi-Stud "Z" Transformer Connectors

- * Manufactured from high strength 6061-T6 aluminum alloy to provide premium electrical and mechanical performance
- * Dual rated for copper or aluminum conductors
- * Meets or exceeds ANSI C119.4 Class A specifications
- * Range taking design reduces inventory
- * Rated for 600 Volts



Catalog Number		Stud Size	Number of Ports	Dimensions, Inches			Wire Range KCMIL
Slip Fit	Screw-on			L	W	H	
PTLZ350-4UP	PTLZ350-4USP	5/8"-11, 1"-14	4	4.00	2.25	2.88	350 - #10
PTLZ350-6UP	PTLZ350-6USP	5/8"-11, 1"-14	6	5.00			
PTLZ350-8UP	PTLZ350-8USP	5/8"-11, 1"-14	8	6.00			
PTLZ500-4UP	PTLZ500-4USP	5/8"-11, 1"-14	4	4.43	2.25	2.88	500 - #10
PTLZ500-6UP	PTLZ500-6USP	5/8"-11, 1"-14	6	5.55			
PTLZ500-8UP	PTLZ500-8USP	5/8"-11, 1"-14	8	6.68			
PTLZ600-4UP	PTLZ600-4USP	5/8"-11, 1"-14	4	4.63	2.25	2.88	600 - #10
PTLZ600-6UP	PTLZ600-6USP	5/8"-11, 1"-14	6	5.88			
PTLZ600-8UP	PTLZ600-8USP	5/8"-11, 1"-14	8	7.13			
PTLZ750-4UP	PTLZ750-4USP	5/8"-11, 1"-14	4	4.89	2.50	3.38	750 - 1/0
PTLZ750-6UP	PTLZ750-6USP	5/8"-11, 1"-14	6	6.21			
PTLZ750-8UP	PTLZ750-8USP	5/8"-11, 1"-14	8	7.52			

OPTIONS:

- SC - Lock on cover (PTLZSC Prefix)
 - CC - Slip on cover (PTLZCC Prefix)
 - IPC - Pre-insulated (IPCTLZ Prefix)
 - A - Anodized set screws
 - T - Tin plated
 - SL - 1/0 - #14 Streetlight outlet, adds apx. 7/8" to length
 - K - Kit (two insulated and one bare)
 - R - Right hand design
- For omission of oxide inhibitor delete suffix "P"

Example:
PTLZ500-6USLP
 Streetlight
 Inhibitor (must be last)

Consult factory for additional configurations not listed

Utility - Single Phase Transformer Connectors for Underground Use

PTLEZ - Multi-Stud "Z" Transformer Connectors

- * Manufactured from high strength 6061-T6 aluminum alloy to provide premium electrical and mechanical performance
- * Dual rated for copper or aluminum conductors
- * Meets or exceeds ANSI C119.4 Class A specifications
- * Range taking design reduces inventory
- * Rated for 600 Volts
- * Patented multi-stud design. Patent # 7,607,955



Catalog Number	Stud Size	Number of Ports	Dimensions, Inches			Wire Range KCMIL
			L	W	H	
PTLEZ350-4P	5/8"-11, 1"-14	4	3.11	2.25	2.88	350 - #10
PTLEZ350-6P	5/8"-11, 1"-14	6	4.11			
PTLEZ350-8P	5/8"-11, 1"-14	8	5.11			
PTLEZ500-4P	5/8"-11, 1"-14	4	3.50	2.25	2.88	500 - #10
PTLEZ500-6P	5/8"-11, 1"-14	6	4.63			
PTLEZ500-8P	5/8"-11, 1"-14	8	5.75			
PTLEZ600-4P	5/8"-11, 1"-14	4	3.88	2.25	2.88	600 - #10
PTLEZ600-6P	5/8"-11, 1"-14	6	5.13			
PTLEZ600-8P	5/8"-11, 1"-14	8	6.38			
PTLEZ750-4P	5/8"-11, 1"-14	4	4.06	2.50	3.38	750 - 1/0
PTLEZ750-6P	5/8"-11, 1"-14	6	5.38			
PTLEZ750-8P	5/8"-11, 1"-14	8	6.69			

OPTIONS:

- SC - Lock On Cover (PTLEZSC Prefix)
- CC - Slip on Cover (PTLEZCC Prefix)
- IPC - Pre-insulated (IPCTLEZ Prefix)
- A - Anodized set screws
- T - Tin plated
- SL - 1/0 - #14 Streetlight outlet, adds apx. 7/8" to length
- K - Kit (Two insulated and one bare)
- R - Right hand design
- For omission of oxide inhibitor delete suffix "P"

Example:
PTLEZ500-6SLP

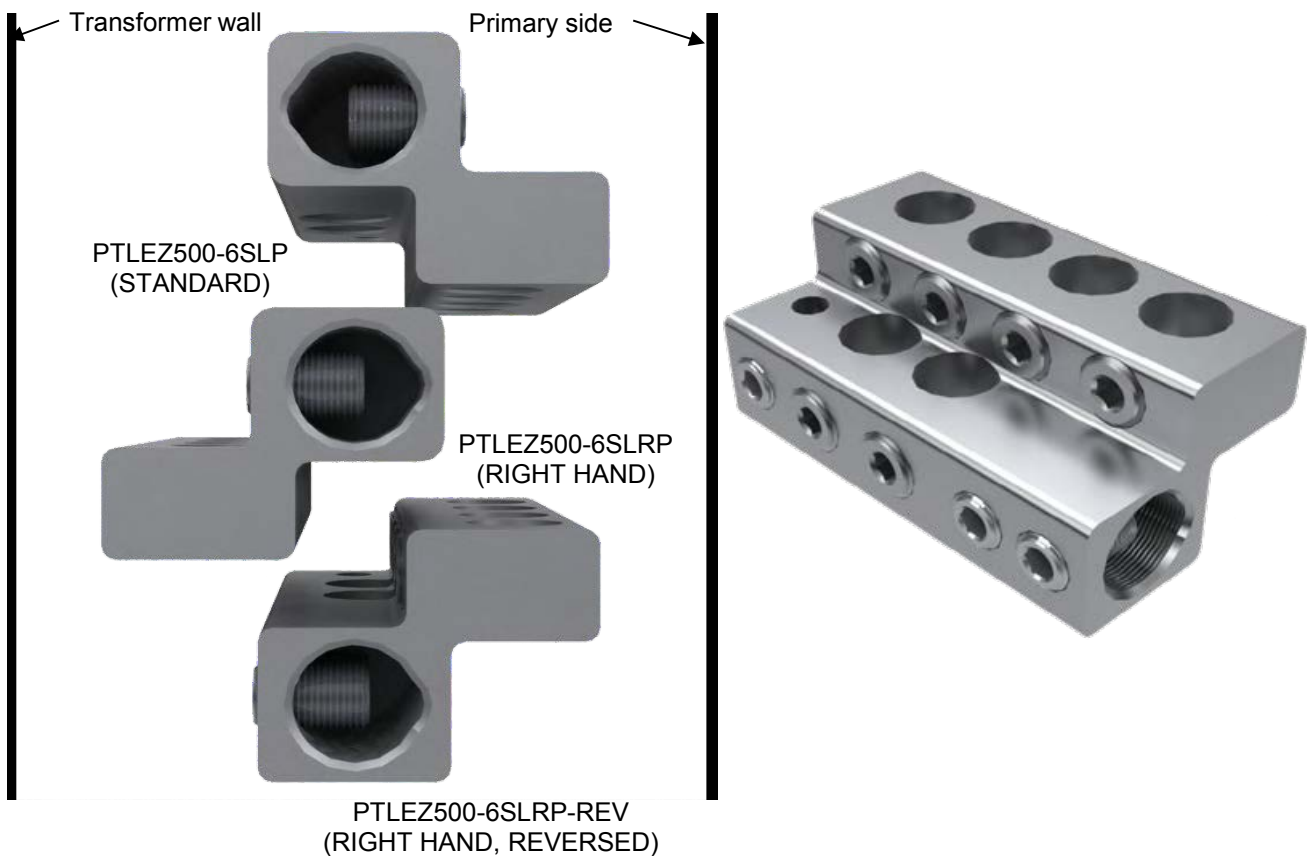
Streetlight
Inhibitor (must be last)

Consult factory for additional configurations not listed

Utility - Single Phase Transformer Connectors for Underground Use

PTLEZ-REV - Multi-Stud, Space Saving "Z" Transformer Connectors

- * Manufactured from high strength 6061-T6 aluminum alloy to provide premium electrical and mechanical performance
- * Right handed reversed connector is designed to allow more space from connector to transformer cover
- * Dual rated for copper or aluminum conductors
- * Meets or exceeds ANSI C119.4 Class A specifications
- * Range taking design reduces inventory
- * Rated for 600 Volts
- * Patented multi-stud design. Patent # 7,607,955



For reversed configuration add a -REV to end of part number.
 Can be used on PTLZ or PTLEZ series

Example:
 PTLEZ500-6SLRP-REV

Streetlight
 Right handed
 Inhibitor
 Reversed

Consult factory for additional configurations not listed

Utility - Single Phase Transformer Connectors for Underground Use

PSMAL - Disconnectable "Screw-on" Transformer Connectors

- * Manufactured from high strength 6061-T6 aluminum alloy to provide premium electrical and mechanical performance
- * Dual rated for copper or aluminum conductors
- * Range taking design reduces inventory
- * Rated for 600 Volts



PSMAL350-6SLP
SHOWN

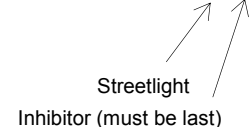
Catalog Number	Stud Size	Number of Ports	Dimensions, Inches			Wire Range KCMIL
			L	W	H	
PSMAL350-4P	5/8"-11	4	5.69	2.26	1.25	350 - #10
PSMAL350-6P	5/8"-11	6	7.69			
PSMAL350-8P	5/8"-11	8	9.69			
PSMAL350-41P	1"-14	4	5.69	2.63	1.25	350 - #10
PSMAL350-61P	1"-14	6	7.69			
PSMAL350-81P	1"-14	8	9.69			
PSMAL500-458P	5/8"-11	4	6.25	2.50	1.63	500 - #10
PSMAL500-658P	5/8"-11	6	8.50			
PSMAL500-858P	5/8"-11	8	10.75			
PSMAL500-4P	1"-14	4	6.25	2.88	1.63	500 - #10
PSMAL500-6P	1"-14	6	8.50			
PSMAL500-8P	1"-14	8	10.75			
PSMAL-58P (Adapter Only)	5/8"-11	N/A	1.63	1.00	1.38	N/A
PSMAL-1P (Adapter Only)	1"-14	N/A	1.75	1.38	1.75	N/A

OPTIONS:

- CC - Slip on Cover (PTLEZCC Prefix)
- A - Anodized set screws
- T - Tin plated
- SL - 1/0 - #14 Streetlight outlet, adds apx. 7/8" to length
- K - Kit (Two insulated and one bare)
- R - Right hand design
- For omission of oxide inhibitor delete suffix "P"

Example:

PSMAL350-6SLP



Consult factory for additional configurations not listed

Utility - Overhead Connectors

PPT - Pin Type Transformer Connectors

- * Manufactured from high strength 6061-T6 aluminum alloy to provide premium electrical and mechanical performance
- * Dual rated for copper or aluminum conductors
- * Meets or exceeds ANSI C119.4 Class A specifications
- * Stud is tin plated copper providing low contact resistance for connection to transformer
- * Range taking design reduces inventory
- * Rated for 600 Volts

PPT250-4P
SHOWN



Catalog Number	Copper Stud Diameter	Copper Stud Length	Number of Ports	Dimensions, Inches			Wire Range KCMIL
				L	W	H	
PPT1/0-2P	3/8	3	2	2.03	0.63	0.88	1/0-#14
PPT1/0-4P	3/8	3	4	3.33			
PPT250-2P	1/2	4	2	2.59	0.88	1.13	250-#10
PPT250-3P	1/2	4	3	3.46			
PPT250-4P	1/2	4	4	4.32			
PPT250-5P	1/2	4	5	5.18			
PPT250-6P	1/2	4	6	6.04			
PPT250-8P	1/2	4	8	7.77	0.88	1.25	350-#10
PPT350-2P	5/8	4	2	2.95			
PPT350-212P	1/2	4	2	2.95			
PPT350-3P	5/8	4	3	3.95			
PPT350-312P	1/2	4	3	3.95			
PPT350-4P	5/8	4	4	4.95			
PPT350-412P	1/2	4	4	4.95			

Continued on next page

OPTIONS:

- A - Anodized set screws
- SL - 1/0 - #14 Streetlight outlet, adds apx. 7/8" to length
- C - Connector with Black cover
- For omission of oxide inhibitor delete suffix "P"

Example:
PPT250-4SLCP



Consult factory for additional configurations not listed

Utility - Overhead Connectors

PPT - Pin Type Transformer Connectors

- * Manufactured from high strength 6061-T6 aluminum alloy to provide premium electrical and mechanical performance
- * Dual rated for copper or aluminum conductors
- * Meets or exceeds ANSI C119.4 Class A specifications
- * Stud is tin plated copper providing low contact resistance for connection to transformer
- * Range taking design reduces inventory
- * Rated for 600 Volts

PPT250-4P
SHOWN



Catalog Number	Copper Stud Diameter	Copper Stud Length	Number of Ports	Dimensions, Inches			Wire Range KCMIL
				L	W	H	
PPT350-5P	5/8	4	5	5.95	0.88	1.25	350-#10
PPT350-512P	1/2	4	5	5.95			
PPT350-6P	5/8	4	6	6.95			
PPT350-612P	1/2	4	6	6.95			
PPT350-8P	5/8	4	8	8.95			
PPT350-812P	1/2	4	8	8.95			
PPT500-2P	3/4	4-1/2	2	3.50	1.13	1.63	500-#10
PPT500-3P	3/4	4-1/2	3	4.65			
PPT500-4P	3/4	4-1/2	4	5.79			
PPT500-5P	3/4	4-1/2	5	6.94			
PPT500-6P	3/4	4-1/2	6	8.08			
PPT500-8P	3/4	4-1/2	8	10.37			
PPT750-2P	3/4	5-1/2	2	4.04	1.25	1.75	750-1/0
PPT750-4P	3/4	5-1/2	4	6.72			

OPTIONS:

- A - Anodized set screws
- SL - 1/0 - #14 Streetlight outlet, adds apx. 7/8" to length
- C - Connector with Black cover
- For omission of oxide inhibitor delete suffix "P"

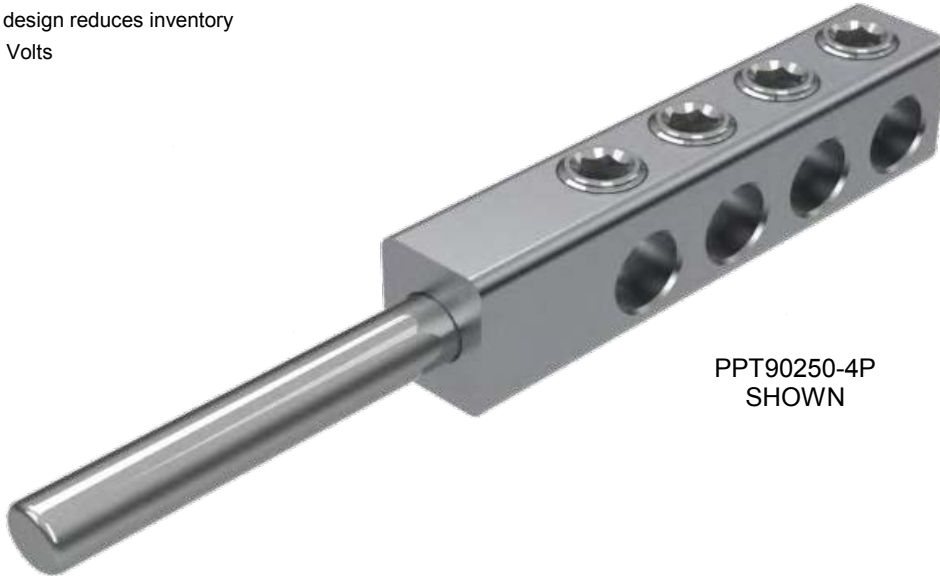
Example:
PPT500-4SLCP

Consult factory for additional configurations not listed

Utility - Overhead Connectors

PPT-90 - 90-Degree Pin Type Transformer Connector

- * Manufactured from high strength 6061-T6 aluminum alloy to provide premium electrical and mechanical performance
- * Dual rated for copper or aluminum conductors
- * Meets or exceeds ANSI C119.4 Class A specifications
- * Stud is tin plated copper providing low contact resistance for connection to transformer
- * Range taking design reduces inventory
- * Rated for 600 Volts



PPT90250-4P
SHOWN

Catalog Number	Copper Stud Diameter	Copper Stud Length	Number of Ports	Dimensions, Inches			Wire Range KCMIL
				L	W	H	
PPT90250-2P	1/2	4	2	2.84	0.88	1.13	250-#10
PPT90250-3P	1/2	4	3	3.71			
PPT90250-4P	1/2	4	4	4.57			
PPT90250-6P	1/2	4	6	6.29			
PPT90250-8P	1/2	4	8	8.02			
PPT90350-212P	1/2	4	2	3.07	0.88	1.25	350-#10
PPT90350-312P	1/2	4	3	4.07			
PPT90350-412P	1/2	4	4	5.07			
PPT90350-612P	1/2	4	6	7.07			
PPT90350-812P	1/2	4	8	9.07			
PPT90500-2P	3/4	4-1/2	2	3.71	1.13	1.63	500-#10
PPT90500-3P	3/4	4-1/2	3	4.77			
PPT90500-4P	3/4	4-1/2	4	5.83			
PPT90500-6P	3/4	4-1/2	6	7.95			
PPT90500-8P	3/4	4-1/2	8	10.07			

OPTIONS:

- A - Anodized set screws
- T - Tin plated
- SL - 1/0 - #14 Streetlight outlet, adds apx. 7/8" to length
- For omission of oxide inhibitor delete suffix "P"

Example:
PPT90250-4P
↑
Inhibitor (must be last)

Consult factory for additional configurations not listed

Utility - Overhead Connectors

PPT-H - Pin Type Transformer Connectors w/ Hex Bolts

- * Manufactured from high strength 6061-T6 aluminum alloy to provide premium electrical and mechanical performance
- * Dual rated for copper or aluminum conductors
- * Meets or exceeds ANSI C119.4 Class A specifications
- * Stud is tin plated copper providing low contact resistance for connection to transformer
- * Range taking design reduces inventory
- * Rated for 600 Volts



Catalog Number	Copper Stud Diameter	Copper Stud Length	Number of Ports	Dimensions, Inches			Wire Range KCMIL
				L	W	H	
PPT250-1+1HP	1/2	4	2	2.51	.88	1.13	250-#10
PPT250-2+2HP	1/2	4	4	4.13			
PPT250-2HP	1/2	4	2	2.73			
PPT250-4HP	1/2	4	4	4.73			
PPT350-1+1HP	1/2	4	2	2.95	.88	1.25	350-#10
PPT350-2+2HP	1/2	4	4	4.95			
PPT350-2HP	1/2	4	2	2.95			
PPT350-4HP	1/2	4	4	4.95			
PPT500-1+1HP	3/4	4.50	2	3.12	1.13	1.63	500-#10
PPT500-2+2HP	3/4	4.50	4	5.12			
PPT500-2HP	3/4	4.50	2	3.50			
PPT500-4HP	3/4	4.50	4	5.79			
PPT750-1+1HP	3/4	5.50	2	4.04	1.25	1.75	750-1/0
PPT750-2+2HP	3/4	5.50	4	6.72			
PPT750-2HP	3/4	5.50	2	4.04			
PPT750-4HP	3/4	5.50	4	6.72			

OPTIONS:

- A - Anodized set screws
 - SL - 1/0 - #14 Streetlight outlet, adds apx. 7/8" to length
 - C - Connector with Black cover
- For omission of oxide inhibitor delete suffix "P"

Example:

PPT250-2+2-4P

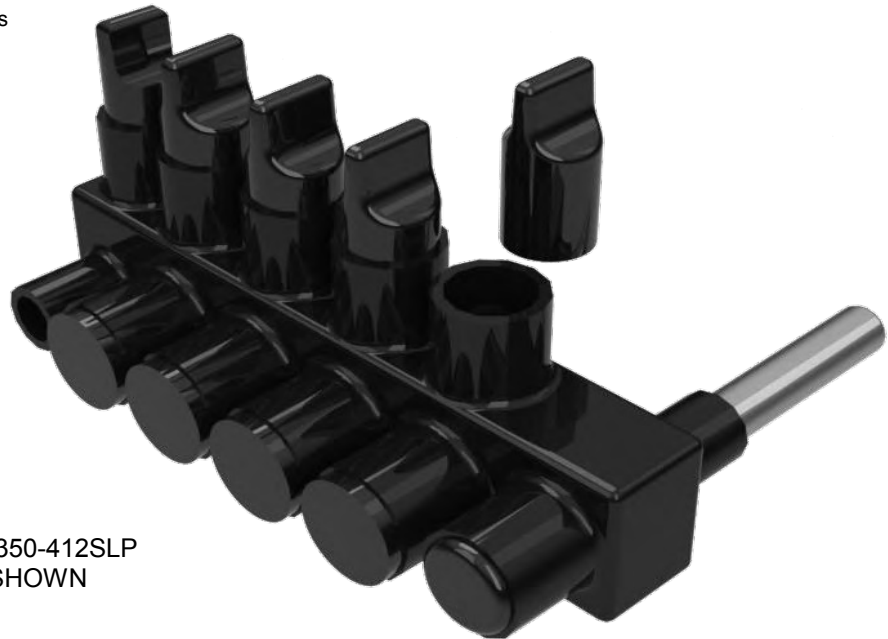
Inhibitor (must be last)

Consult factory for additional configurations not listed

Utility - Overhead Connectors

IPPT - UV Stable Insulated Pin Type Transformer Connectors

- * Manufactured from high strength 6061-T6 aluminum alloy to provide premium electrical and mechanical performance
- * Stud is tin plated copper providing low contact resistance for connection to transformer
- * Connector is encapsulated in UV resistant black plastisol
- * Plastisol has dielectric strength of 240 volts per mil.
- * Meets or exceeds ANSI C119.4 Class A specifications
- * Dual rated for copper or aluminum conductors
- * Range taking design reduces inventory
- * Rated for 600 Volts



IPPT350-412SLP
SHOWN

Catalog Number	Copper Stud Diameter	Copper Stud Length	Number of Ports	Dimensions, Inches			Wire Range KCMIL
				L	W	H	
IPPT350-212P	1/2	4	2	3.63	5.13 (INCL. STUD)	3.31	350-#10
IPPT350-312P	1/2	4	3	4.75			
IPPT350-412P	1/2	4	4	5.88			
IPPT350-512P	1/2	4	5	7.00			
IPPT350-612P	1/2	4	6	8.13			
IPPT500-212P	1/2	4	2	3.84	6.38 (INCL. STUD)	3.69	500-#10
IPPT500-412P	1/2	4	4	6.31			
IPPT500-2P	3/4	5.50	2	3.84			
IPPT500-4P	3/4	5.50	4	6.31			

OPTIONS:

- A - Anodized set screws
 - SL - 1/0 - #14 Streetlight outlet, adds apx. 7/8" to length
 - K - Kit (two insulated and one bare)
- For omission of oxide inhibitor delete suffix "P"

Example:
IPPT350-412P

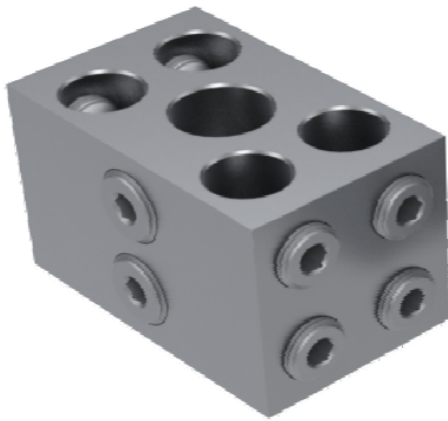
Inhibitor (must be last)

Consult factory for additional configurations not listed

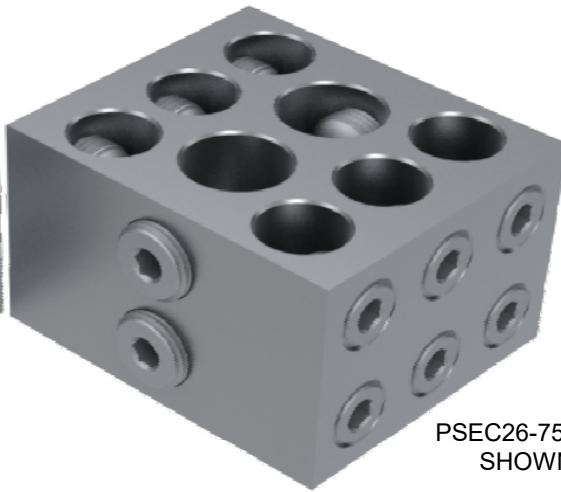
Utility - Overhead Connectors

PSEC - Overhead Distribution Connector

- * Manufactured from high strength 6061-T6 aluminum alloy to provide premium electrical and mechanical performance
- * Dual rated for copper or aluminum conductors
- * Range taking design reduces inventory
- * Rated for 600 Volts



PSEC14-750500
SHOWN



PSEC26-750500
SHOWN

Catalog Number	Main Wire Range KCMIL	Tap Wire Range KCMIL	Number of Main Ports	Number of Tap Ports	Dimensions, Inches		
					L	W	H
PSEC14-750500P	750-1/0	500-#10	1	4	4.00	2.50	2.50
PSEC14-750600P	750-1/0	600-#10	1	4			
PSEC24-750500P	750-1/0	500-#10	2	4	4.00	3.50	2.50
PSEC24-750600P	750-1/0	600-#10	2	4			
PSEC26-750500P	750-1/0	500-#10	2	6	4.00	3.50	2.50
PSEC26-750600P	750-1/0	600-#10	2	6			
PSEC26-1000500P	1000-500	500-#10	2	6	4.50	4.00	2.50
PSEC26-1000600P	1000-500	600-#10	2	6			
PSEC26-1000750P	1000-500	750-1/0	2	6	4.50	4.06	2.50

OPTIONS:

A - Anodized set screws

T - Tin plated

C - UV resistant cover

For omission of oxide inhibitor delete suffix "P"

Example:

PSEC26-750500P

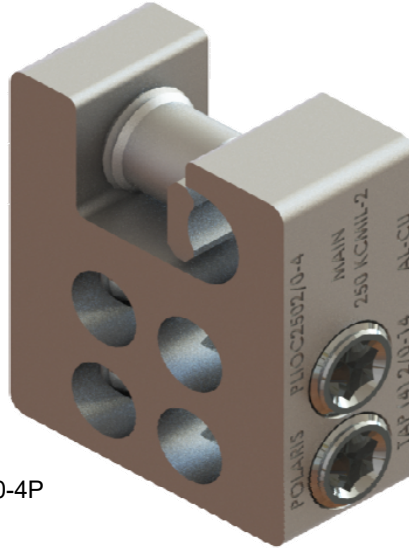
↑
Inhibitor (must be last)

Consult factory for additional configurations not listed

Utility - Overhead Connectors

PLIOC - In Span Lay-in Overhead Connector

- * Manufactured from high strength 6061-T6 aluminum alloy to provide premium electrical and mechanical performance
- * Dual rated for copper or aluminum conductors
- * Range taking design reduces inventory
- * Rated for 600 Volts



PLIOC2502/0-4P
SHOWN

Catalog Number	Main Wire Range KCMIL	Tap Wire Range AWG	Dimensions, Inches		
			L	W	H
PLIOC2502/0-4P	250-#2	2/0-#14	2.28	0.94	1.94
PLIOC2504/0-4P	250-#2	4/0-#14		1.39	
PLIOC3502/0-4P	350-2/0	2/0-#14	2.66	0.95	2.25
PLIOC3504/0-4P	350-#2	4/0-#14			

OPTIONS:

A - Anodized set screws

T - Tin plated

C - UV resistant cover

SS - Stainless steel tap set screws

For omission of oxide inhibitor delete suffix "P"

Example:

PLIOC2502/0-4CP

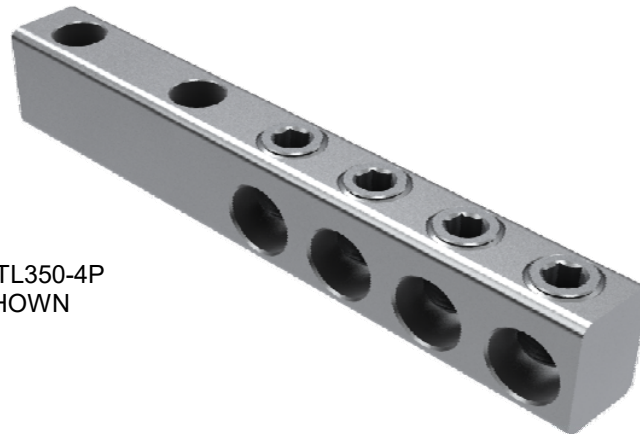
Cover

Inhibitor (must be last)

Utility - Overhead Connectors

PNMTL - Nema Mount Transformer Connector

- * Manufactured from high strength 6061-T6 aluminum alloy to provide premium electrical and mechanical performance
- * Predrilled 1/2" mounting holes allow for easy attachment and may be bolted back to back for heavy duty applications
- * Dual rated for copper or aluminum conductors
- * Range taking design reduces inventory
- * Mounting holes at standard NEMA 1.75" spacing
- * Rated for 600 volts



PNMTL350-4P
SHOWN

Catalog Number	Number of Ports	Dimensions, Inches			Wire Range KCMIL
		L	W	H	
PNMTL250-4P	4	6.63	0.88	1.13	250 - #10
PNMTL250-6P	6	8.35			
PNMTL250-8P	8	10.07			
PNMTL350-4P	4	7.07	0.88	1.25	350 - #10
PNMTL350-6P	6	9.07			
PNMTL350-8P	8	11.07			
PNMTL500-4P	4	7.94	1.13	1.63	500 - #10
PNMTL500-6P	6	10.19			
PNMTL500-8P	8	12.44			
PNMTL750-4P	4	8.34	1.25	1.75	750 - 1/0
PNMTL750-6P	6	10.96			
PNMTL750-8P	8	13.58			

OPTIONS:

- A - Anodized set screws
- SL - 1/0 - #14 Streetlight outlet, adds apx. 7/8" to length
- For omission of oxide inhibitor delete suffix "P"

Example:

PNMTL350-4SLP

Streetlight

Inhibitor (must be last)

Consult factory for additional configurations not listed

Utility - Pedestal Connectors

PL - Pedestal Connectors

- * Manufactured from high strength 6061-T6 aluminum alloy to provide premium electrical and mechanical performance
- * Dual rated for copper or aluminum conductors
- * Meets or exceeds ANSI C119.4 Class A specifications
- * Range taking design reduces inventory
- * Rated for 600 Volts
- * Mounting holes available



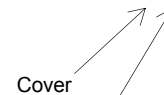
PL350-4CP
SHOWN

Catalog Number	Number of Ports	Dimensions, Inches			Wire Range KCMIL
		L	W	H	
PL250-3P	3	2.68	0.88	1.13	250-#10
PL250-4P	4	3.55			
PL250-6P	6	5.27			
PL250-8P	8	6.99			
PL350-3P	3	3.02	0.88	1.25	350-#10
PL350-4P	4	4.02			
PL350-6P	6	6.02			
PL350-8P	8	8.02			
PL500-3P	3	3.67	1.13	1.63	500-#10
PL500-4P	4	4.80			
PL500-6P	6	7.05			
PL500-8P	8	9.30			
PL750-3P	3	4.29	1.25	1.75	750-1/0
PL750-4P	4	5.71			
PL750-6P	6	8.56			
PL750-8P	8	11.41			

OPTIONS:

- A - Anodized set screws
- SL - 1/0 - #14 Streetlight outlet, adds apx. 7/8" to length
- C - Connector with Black cover
- T - Tin plated

Example:
PL350-4CP

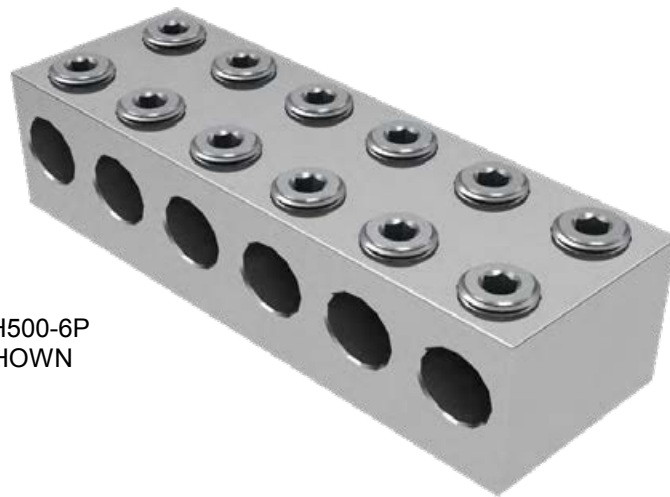


Consult factory for additional configurations not listed

Utility - Pedestal Connectors

PLH - Heavy Duty Pedestal Connectors

- * Manufactured from high strength 6061-T6 aluminum alloy to provide premium electrical and mechanical performance
- * Dual rated for copper or aluminum conductors
- * Meets or exceeds ANSI C119.4 Class A specifications
- * Range taking design reduces inventory
- * Rated for 600 Volts



PLH500-6P
SHOWN

Catalog Number	Number of Ports	Dimensions, Inches			Wire Range KCMIL
		L	W	H	
PLH250-4P	4	3.55	1.75	1.25	250-#10
PLH250-6P	6	5.27			
PLH250-8P	8	6.99			
PLH350-4P	4	4.02	2.00	1.50	350-#10
PLH350-6P	6	6.02			
PLH350-8P	8	8.02			
PLH500-4P	4	4.80	2.50	2.00	500-#10
PLH500-6P	6	7.05			
PLH500-8P	8	9.30			
PLH750-4P	4	5.37	2.50	2.00	750-1/0
PLH750-6P	6	8.00			
PLH750-8P	8	10.62			
PLH1000-4P	4	6.79	2.50	2.00	1000-1/0
PLH1000-6P	6	10.13			
PLH1000-8P	8	13.47			

OPTIONS:

- A - Anodized set screws
- SL - 1/0 - #14 Streetlight outlet, adds apx. 7/8" to length
- T - Tin plated
- For omission of oxide inh bitor delete suffix "P"

Example:
PLH500-8P

↑
Inhibitor (must be last)

Consult factory for additional configurations not listed

Utility - Pedestal Connectors

PLI - "Lay-In" Pedestal Connectors

- * Manufactured from high strength 6061-T6 aluminum alloy to provide premium electrical and mechanical performance
- * Labor saving design that allows installer to make connection without having to bend large conductors into place
- * Dual rated for copper or aluminum conductors
- * Meets or exceeds ANSI C119.4 Class A specifications
- * Range taking design reduces inventory
- * Rated for 600 Volts
- * Mounting holes available upon request
- * Black or Clear cover available



Catalog Number	Number of Ports	Dimensions, Inches			Wire Range KCMIL
		L	W	H	
PLI350-6P	6	6.90	1.25	1.75	350 - #10
PLI600-6P	6	9.08	1.25	2.00	600 - #10

OPTIONS:

- A - Anodized set screws
 - 2M - Dual mounting holes
 - C - Connector with Black cover
- For omission of oxide inh bitor delete suffix "P"

Example:
PLI350-6P

Inhibitor (must be last)

Utility - Pedestal Connectors

IPLC - Insulated Pedestal Connectors

- * Manufactured from high strength 6061-T6 aluminum alloy to provide premium electrical and mechanical performance
- * Insulation is clear allowing easier installation with a dielectric strength of 240v per mil
- * Also available in UV resistant Black plastisol
- * Dual rated for copper or aluminum conductors
- * Meets or exceeds ANSI C119.4 Class A specifications
- * Range taking design reduces inventory
- * Rated for 600 Volts
- * Mounting holes available



Catalog Number	Number of Ports	Dimensions, Inches			Wire Range KCMIL
		L	W	H	
IPLC250-3P	3	2.93	2.03	2.18	250 - #10
IPLC250-4P	4	3.80			
IPLC250-6P	6	5.22			
IPLC350-3P	3	3.52	2.26	1.96	350 - #10
IPLC350-4P	4	4.65			
IPLC350-6P	6	6.90			
IPLC500-3P	3	4.14	2.50	2.56	500 - #10
IPLC500-4P	4	5.38			
IPLC500-6P	6	7.86			
IPLC750-3P	3	4.57	3.38	3.25	750 - 1/0
IPLC750-4P	4	6.00			
IPLC750-6P	6	8.85			

OPTIONS:

- A - Anodized set screws
- B - Black plastisol (replace the IPLC with IPLB)
- D - Dual Entry (IPLCD or IPLBD Prefix)
- 2M - Mounting holes
- For omission of oxide inhibitor delete suffix "P"

Example:

IPLC350-6P

Inhibitor (must be last)

Consult factory for additional configurations not listed

Utility - Pedestal Connectors

PLZ - "Z" Pedestal Connectors

- * Manufactured from high strength 6061-T6 aluminum alloy to provide premium electrical and mechanical performance
- * Dual rated for copper or aluminum conductors
- * Meets or exceeds ANSI C119.4 Class A specifications
- * Range taking design reduces inventory
- * Rated for 600 Volts



PLZ500-8P
SHOWN

Catalog Number	Number of Ports	Dimensions, Inches			Wire Range KCMIL
		L	W	H	
PLZ350-4P	4	2.12	2.00	2.26	350 - #10
PLZ350-6P	6	3.12			
PLZ350-8P	8	4.12			
PLZ500-4P	4	2.37	2.38	2.88	500 - #10
PLZ500-6P	6	3.50			
PLZ500-8P	8	4.63			
PLZ750-4P	4	2.75	2.50	3.38	750 - 1/0
PLZ750-6P	6	4.06			
PLZ750-8P	8	5.37			

OPTIONS:

- A - Anodized set screws
- T - Tin plated
- SL - 1/0 - #14 Streetlight Outlet, adds apx. 7/8" to length
- For omission of oxide inh bitor delete suffix "P"

Example:
PLZ500-8P

Inhibitor (must be last)

Consult factory for additional configurations not listed

Utility - Pedestal Connectors

IPCLZ & IPLZ - Insulated "Z" Pedestal Connectors

- * Manufactured from high strength 6061-T6 aluminum alloy to provide premium electrical and mechanical performance
- * Insulation is clear allowing easier installation with a dielectric strength of 240v per mil
- * Dual rated for copper or aluminum conductors
- * Meets or exceeds ANSI C119.4 Class A specifications
- * Range taking design reduces inventory
- * Rated for 600 Volts



IPCLZ500-8P
SHOWN

Catalog Number	Number of Ports	Connector Dimensions, Inches			Wire Range KCMIL
		L	W	H	
IPCLZ350-4P	4	2.12	2.00	2.26	350 - #10
IPCLZ350-6P	6	3.12			
IPCLZ350-8P	8	4.12			
IPCLZ500-4P	4	2.37	2.38	2.88	500 - #10
IPCLZ500-6P	6	3.50			
IPCLZ500-8P	8	4.63			
IPCLZ750-4P	4	2.75	2.50	3.38	750 - 1/0
IPCLZ750-6P	6	4.06			
IPCLZ750-8P	8	5.37			

Also available in Black insulation - remove C from catalog number - ex. IPLZ350-6P

OPTIONS:

A - Anodized set screws

SL - 1/0 - #14 Streetlight outlet, adds apx. 7/8" to length

For omission of oxide inh bitor delete suffix "P"

Example:

IPCLZ500-8P

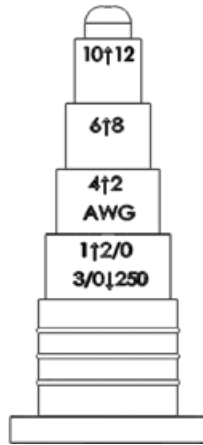
Inhibitor (must be last)

Consult factory for additional configurations not listed

Utility - Pedestal Connectors

IPLWB - Submersible Pedestal Connector

- * Manufactured from high strength 6061-T6 aluminum alloy to provide premium electrical and mechanical performance
- * Rubber encapsulated with a nominal thickness of 125 mils
- * Dual rated for copper or aluminum conductors
- * Meets or exceeds ANSI C119.1 specifications for a submersible connection.
- * Range taking design reduces inventory
- * Rated for 600 Volts



Rocket is used for
Wire Range
IPLWB350 250 - #12
IPLWB600 400 - #12



IPLWB350-4P
SHOWN

Catalog Number	Number of Ports	Dimensions, Inches			Wire Range KCMIL
		W	H	L	
IPLWB350-3P	3	3.56	3.06	4.20	350 - #12
IPLWB350-4P	4	4.75			
IPLWB350-6P	6	7.13			
IPLWB600-3P	3	4.87	3.79	5.43	600 - #12
IPLWB600-4P	4	6.56			
IPLWB600-5P	5	8.25			
IPLWB600-6P	6	9.94			
IPLWB600-8P	8	13.31			
IPLWB600-10P	10	16.68			
IPLWB600-12P	12	20.06			

OPTIONS:

A - Anodized set screws

OC - Orange thread caps

For omission of oxide inhibitor delete suffix "P"

Example:
IPLWB350-4P

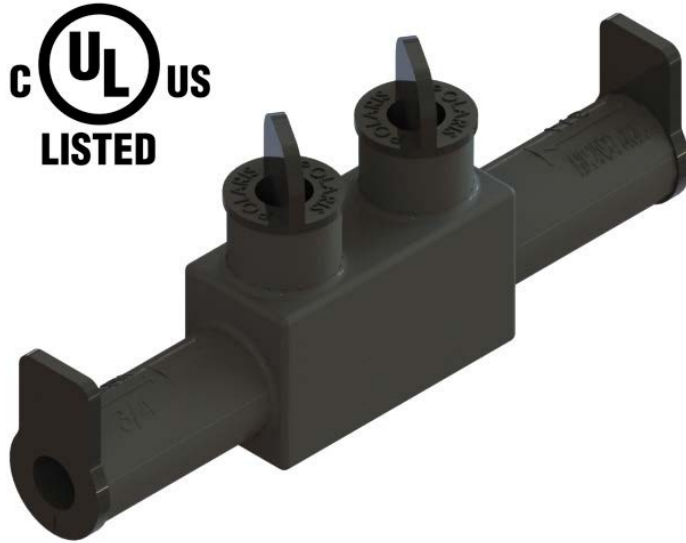
Inhibitor (must be last)

Consult factory for additional configurations not listed

Utility - Metering and Streetlighting Products

SSWB - Submersible Splice Connectors

- * Manufactured from high strength 6061-T6 aluminum alloy to provide premium electrical and mechanical performance
- * Rubber encapsulated with a nominal thickness of 125 mils
- * Dual rated for copper or aluminum conductors
- * Meets or exceeds ANSI C119.1 specifications for a submersible connection.
- * UL listed for wet or damp locations, direct burial and submersible per UL486D
- * Range taking design reduces inventory
- * Rated for 600 Volts



SSWB2/0P

Catalog Number	Hex Size	Dimensions, Inches			Wire Range KCMIL
		L	W	H	
SSWB2/0P	3/16"	5.05	0.88	2.1	2/0 - #14
SSWB350P	5/16"	8.28	1.31	3.06	350 - #12

OPTIONS:

OC - Orange thread caps

For omission of oxide inhibitor delete suffix "P"

Example:
SSWB2/0P

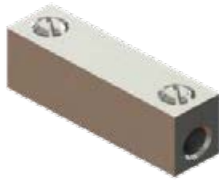
Inhibitor (must be last)

Consult factory for additional configurations not listed

Utility - Pedestal Connectors

PSR - Splicers / Reducers

- * Manufactured from high strength 6061-T6 aluminum alloy to provide premium electrical and mechanical performance
- * Tin plated to provide very low contact resistance and inhibit corrosion
- * Dual rated for copper or aluminum conductors
- * Chamfered wire entry provides ease of installation
- * Wire stop in center prevents dissimilar metals from coming into contact.
- * Rated for 600 volts
- * Rounded edges to facilitate taping



PSR4
SHOWN



PSR750
SHOWN

Catalog Number	Wire Range KCMIL/AWG	Dimensions, Inches				Hex Size
		W	H	L		
PSR4	#4 - #14	0.50	0.63	1.87	SLOT	
PSR1/0	1/0 - #14	0.63	0.88	2.23	3/16	
PSR3/0	3/0 - #6	0.69	0.94	2.25	1/4	
PSR250	250 - #6	0.88	1.13	2.70	5/16	
PSR350	350 - #6	1.00	1.44	3.22	5/16	
PSR500	500 - #4	1.13	1.63	3.87	5/16	
PSR600	600 - #2	1.25	1.75	4.34	5/16	
PSR750	750 - 1/0	1.44	2.00	5.50	5/16	
PSR1000	1000 - 250	1.75	2.00	6.00	3/8	

*Oxide inhibitor is recommended for all aluminum terminations.

Utility - Metering and Streetlighting Products

SLC & SLOC - Insulated Streetlight Connectors

- * Manufactured from high strength 6061-T6 aluminum alloy to provide premium electrical and mechanical performance
- * Insulation is clear allowing easier installation with a dielectric strength of 240v per mil
- * Dual rated for copper or aluminum conductors
- * Meets or exceeds ANSI C119.4 Class A specifications
- * Range taking design reduces inventory
- * Rated for 600 Volts



SLC1/0-3P



SLOC1/0-3P



SLCS4A-4P

Catalog Number	Number of Ports	Hex Size	Dimensions, Inches			Wire Range KCMIL
			L	W	H	
SLC4-3P	3	1/8"	1.54	1.12	1.38	#4 - #14
SLC4-4P	4	1/8"	1.97			
SLOC4-4P	4	1/8"	1.97	1.24		
SLCS4-4P	4	1/8"	1.43	1.75	1.87	
SLC1/0-3P	3	3/16"	2.27	1.62	1.75	1/0 - #14
SLOC1/0-3P	3	3/16"	2.27	1.75		
SLC3/0-3P	3	1/4"	2.65	1.75	1.87	3/0 - #14
SLOC3/0-3P	3	1/4"	2.65	1.87		

Also available in Black insulation - replace C with B from catalog number - ex. SLB4-3P

OPTIONS:

A - Allen set screws (1/8" Hex, #4 Size)

For omission of oxide inh bitor delete suffix "P"

Example:
SLC4-3P

Inhibitor (must be last)

Consult factory for additional configurations not listed

Utility - Metering and Streetlighting Products

SLWB & SLOWB - Submersible Streetlight Connectors

- * Manufactured from high strength 6061-T6 aluminum alloy to provide premium electrical and mechanical performance
- * Rubber encapsulated with a nominal thickness of 125 mils
- * Dual rated for copper or aluminum conductors
- * Meets or exceeds ANSI C119.1 specifications for a submersible connection.
- * UL listed for wet or damp locations, direct burial and submersible per UL486D
- * Range taking design reduces inventory
- * Rated for 600 Volts



SLWB2/0-3P



SLOWB2/0-21P

Catalog Number	Number of Ports	Dimensions, Inches			Wire Range AWG
		L	W	H	
SLWB2/0-2P	2	1.93	2.65	2.10	2/0 - #14
SLWB2/0-3P	3	2.79			
SLWB2/0-4P	4	3.65			
SLWB2/0-6P	6	5.37			
SLOWB2/0-21P	3	2.79	4.18		

OPTIONS:

OC - Orange thread caps

For omission of oxide inhibitor delete suffix "P"

Example:

SLOWB2/0-21P

Inhibitor (must be last)

Consult factory for additional configurations not listed

Utility - Metering and Streetlighting Products

PDL Disposable Enclosure Locks

- * Shear Head Screw
- * #4 Alumoweld Gauge Wire
- * Corrosion Resistant



Catalog Number	Ring Inside Diameter, Inches	Hasp Length, Inches
	0.96	3.0
PDL-2	1.13	2.2
PDL-3	0.96	3.0
PDL-4	1.13	2.2

Consult factory for additional configurations not listed

METRIC CONVERSION CHART - AWG/METRIC PREFERRED SIZES OF CONDUCTORS

Circ. Mills	Equivalent Circ. Mills	Awg. Size	Metric Wire Size MM	Stranding / Wire Diameter per Strand		Approximate Overall Diameter	
				in	mm	in	mm
-	987	-	0.5	1/.032	1/.813	0.032	0.81
1020	-	20	-	7/.0121	7/.307	0.036	0.91
-	1480	-	0.75	1/.039	1/.991	0.039	0.99
1620	-	18	-	1/.0403	1/1.02	0.04	1.02
1620	-	18	-	7/.0152	7/.386	0.046	1.16
-	1974	-	1	1/.045	1/1.14	0.045	1.14
-	1974	-	1	7/.017	7/.432	0.051	1.3
2580	-	16	-	1/.0508	1/1.29	0.051	1.29
2580	-	16	-	7/.0192	7/.488	0.058	1.46
-	2960	-	1.5	1/.055	1/1.40	0.055	1.4
-	2960	-	1.5	7/.021	7/5.33	0.063	1.6
4110	-	14	-	1/.0641	1/1.63	0.064	1.63
4110	-	14	-	7/.0242	7/.615	0.073	1.84
-	4934	-	2.5	1/.071	1/1.80	0.071	1.8
-	4934	-	2.5	7/.027	7/.686	0.081	2.06
6530	-	12	-	1/.0808	1/2.05	0.081	2.05
6530	-	12	-	7/.0305	7/.775	0.092	2.32
-	7894	-	4	1/.089	1/2.26	0.089	2.26
-	7894	-	4	7/.034	7/.864	0.102	2.59
10380	-	10	-	1/.1019	1/2.59	0.102	2.59
10380	-	10	-	7/.0385	7/.978	0.116	2.93
-	11840	-	6	1/.109	1/2.77	0.109	2.77
-	11840	-	6	7/.042	7/1.07	0.126	3.21
13090	-	9	-	1/.1144	1/2.91	0.1144	2.91
13090	-	9	-	7/.0432	7/1.10	0.13	3.3
16510	-	8	-	1/.1285	1/3.26	0.128	3.26
16510	-	8	-	7/.0486	7/1.23	0.146	3.7
-	19740	-	10	1/.141	1/3.58	0.141	3.58
-	19740	-	10	7/.054	7/1.37	0.162	4.12
20820	-	7	-	1/.1443	1/3.67	0.144	3.67
20820	-	7	-	7/.0545	7/1.38	0.164	4.15
26240	-	6	-	1/.162	1/4.11	0.162	4.11
26240	-	6	-	7/.0612	7/1.55	0.184	4.66
-	31580	-	16	7/.068	7/1.73	0.204	5.18
33090	-	5	-	7/.0688	7/1.75	0.206	5.24
41740	-	4	-	7/.0772	7/1.96	0.232	5.88
-	49340	-	25	7/.085	7/2.16	0.255	6.48
-	49340	-	25	19/.052	19/1.32	0.26	6.6
52620	-	3	-	7/.0867	7/2.20	0.26	6.61
66360	-	2	-	7/.0974	7/2.47	0.292	7.42
-	69070	-	35	7/.100	7/2.54	0.3	7.62
-	69070	-	35	19/.061	19/1.55	0.305	7.75

METRIC CONVERSION CHART - AWG/METRIC PREFERRED SIZES OF CONDUCTORS

Circ. Mills	Equivalent Circ. Mills	Awg. Size	Metric Wire Size MM	Stranding / Wire Diameter per Strand		Approximate Overall Diameter	
				in	mm	in	mm
83690	-	1	-	19/.0664	19/1.69	0.332	9.43
-	98680	-	50	19/.073	19/1.85	0.365	9.27
105600	-	1/O	-	19/.0745	19/1.89	0.373	9.46
133100	-	2/O	-	19/.0837	19/2.13	0.419	10.6
-	138100	-	70	19/.086	19/2.18	0.43	10.9
167800	-	3/O	-	19/.094	19/2.39	0.47	11.9
167800	-	3/O	-	37/.0673	37/1.71	0.471	12
-	187500	-	95	19/.101	19/2.57	0.505	12.8
-	187500	-	95	37/.072	37/1.83	0.504	12.8
211600	-	4/O	-	19/.1055	19/2.68	0.528	13.4
-	237.8mcm	-	120	37/.081	37/2.06	0.567	14.4
250mcm	-	-	-	37/.0822	37/2.09	0.575	14.6
300mcm	-	-	150	37/.090	37/2.29	0.63	16
350mcm	-	-	-	37/.0973	37/2.47	0.681	17.3
-	365.1mcm	-	185	37/.100	37/2.54	0.7	17.8
400mcm	-	-	-	37/.104	37/2.64	0.728	18.5
-	473.6mcm	-	240	37/.114	37/2.90	0.798	20.3
-	473.6mcm	-	240	61/.089	61/2.26	0.801	20.3
500mcm	-	-	-	37/.1162	37/2.95	0.813	20.7
500mcm	-	-	-	61/.0905	61/2.30	0.814	20.7
-	592.1mcm	-	300	61/.099	61/2.51	0.891	22.6
600mcm	-	-	-	61/.0992	61/2.52	0.893	22.7
700mcm	-	-	-	61/.1071	61/2.72	0.964	24.5
750mcm	-	-	-	61/.1109	61/2.82	0.998	25.4
750mcm	-	-	-	91/.0908	91/2.31	0.999	25.4
-	789.4mcm	-	400	61/.114	61/2.90	1.026	26.1
800mcm	-	-	-	61/.1145	61/2.91	1.031	26.2
800mcm	-	-	-	61/.0938	91/2.38	1.032	26.2
1000mcm	986.8mcm	-	500	61/.1280	61/3.25	1.152	29.3
1000mcm	-	-	-	91/.1048	91/2.66	1.153	29.3
-	1233.7mcm	-	625	91/.117	91/2.97	1.287	32.7
1250mcm	-	-	-	91/.1172	91/2.98	1.289	32.7
1250mcm	-	-	-	127/.0992	127/2.52	1.29	32.8
1500mcm	-	-	-	91/.1284	91/.1284	1.412	35.9
1500mcm	-	-	-	127/.1087	127/.1087	1.413	35.9
-	1578.8mcm	-	800	91/.132	91/.132	1.452	36.9
-	1973.5mcm	-	1000	91/.147	91/3.73	1.617	41.1
2000mcm	-	-	-	127/.1255	127/3.19	1.632	41.5
2000mcm	-	-	-	169/.1088	169/2.76	1.632	41.5

POLARIS[®]

We reserve the right to make technical changes or modify the contents of this document without prior notice. With regard to purchase orders, the agreed particulars shall prevail. NSI does not accept any responsibility whatsoever for potential errors or possible lack of information in this document.

We reserve all rights in this document and in the subject matter and illustrations contained therein. Any reproduction, disclosure to third parties or utilization of its contents – in whole or in parts – is forbidden without prior written consent of NSI Industries.

