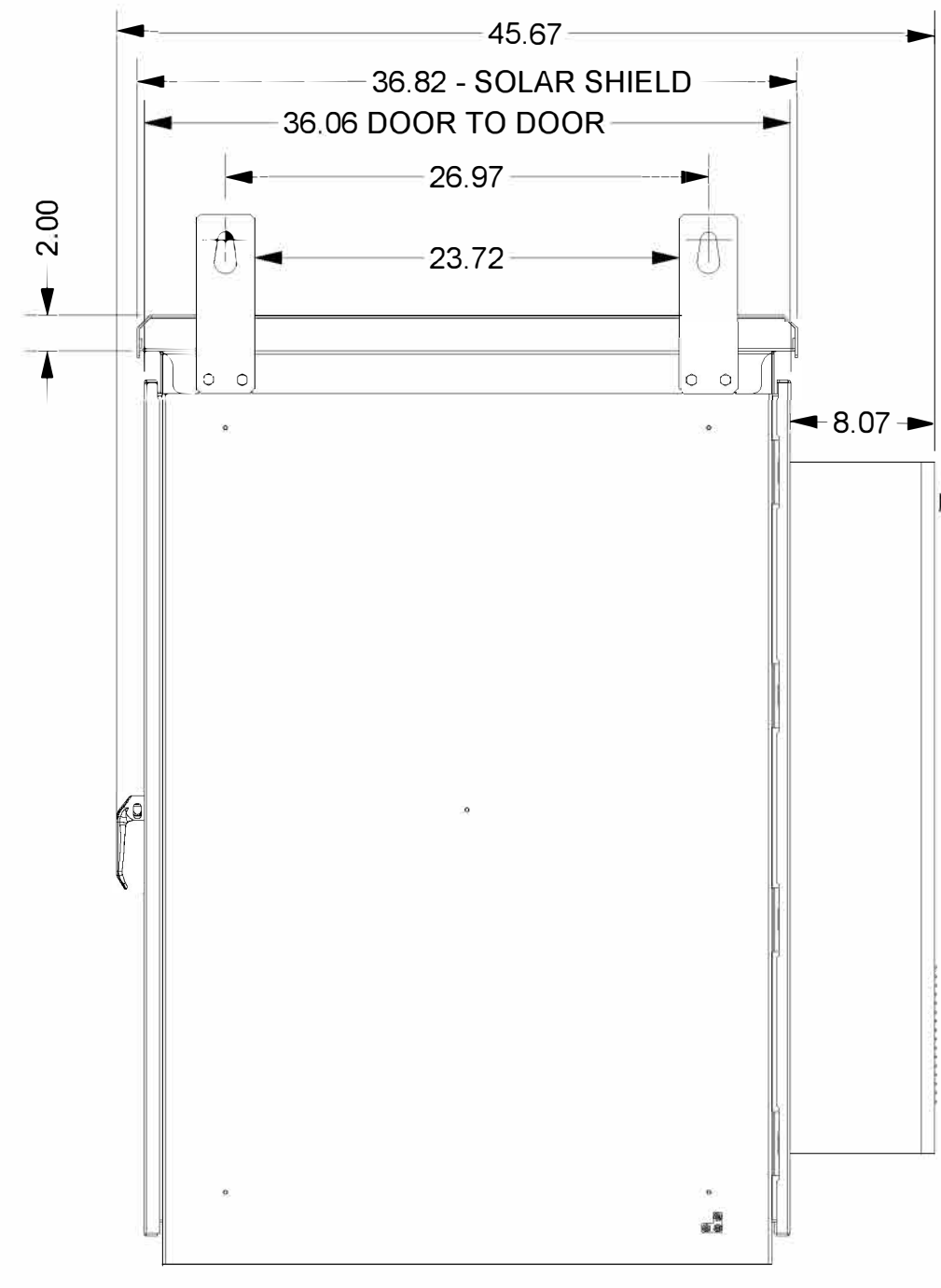
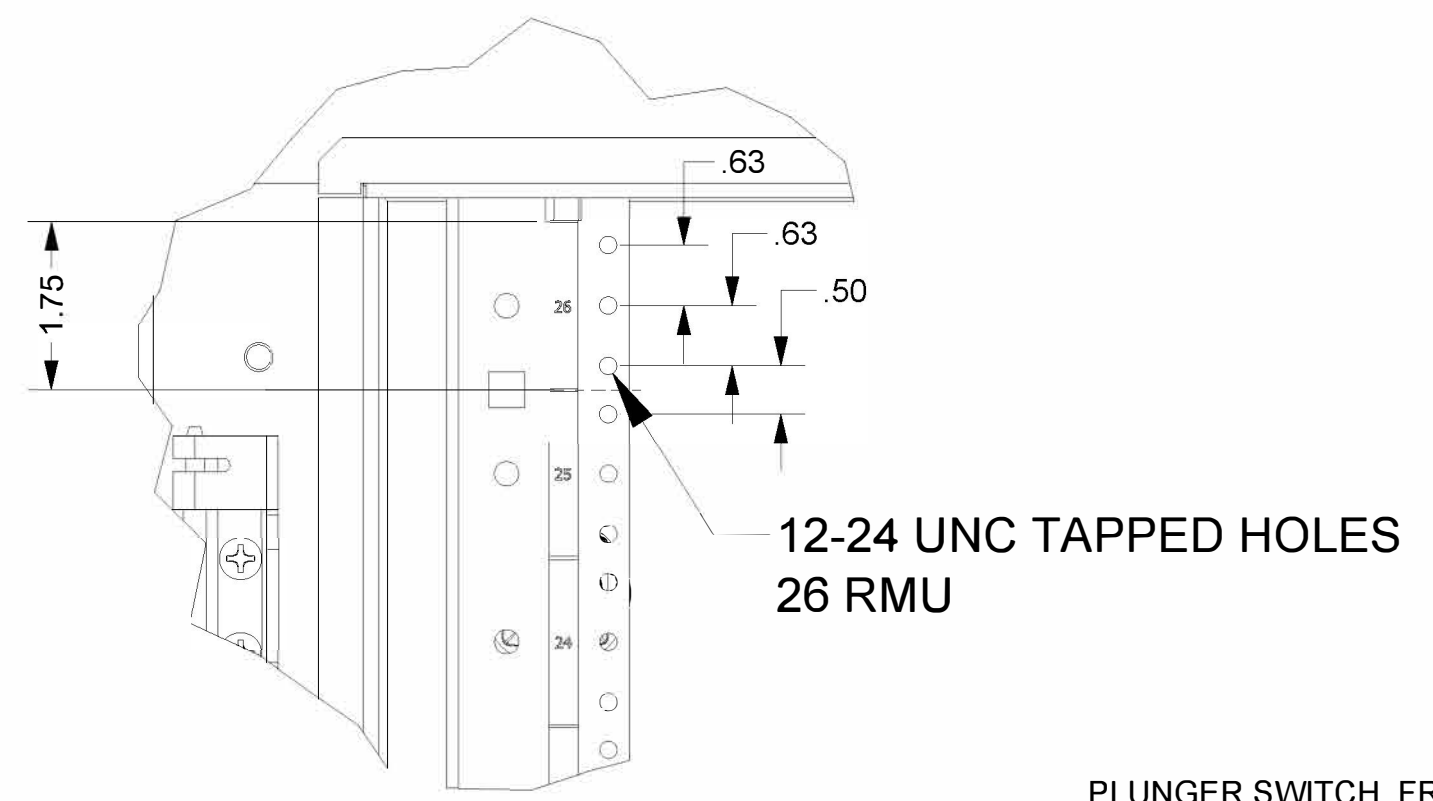
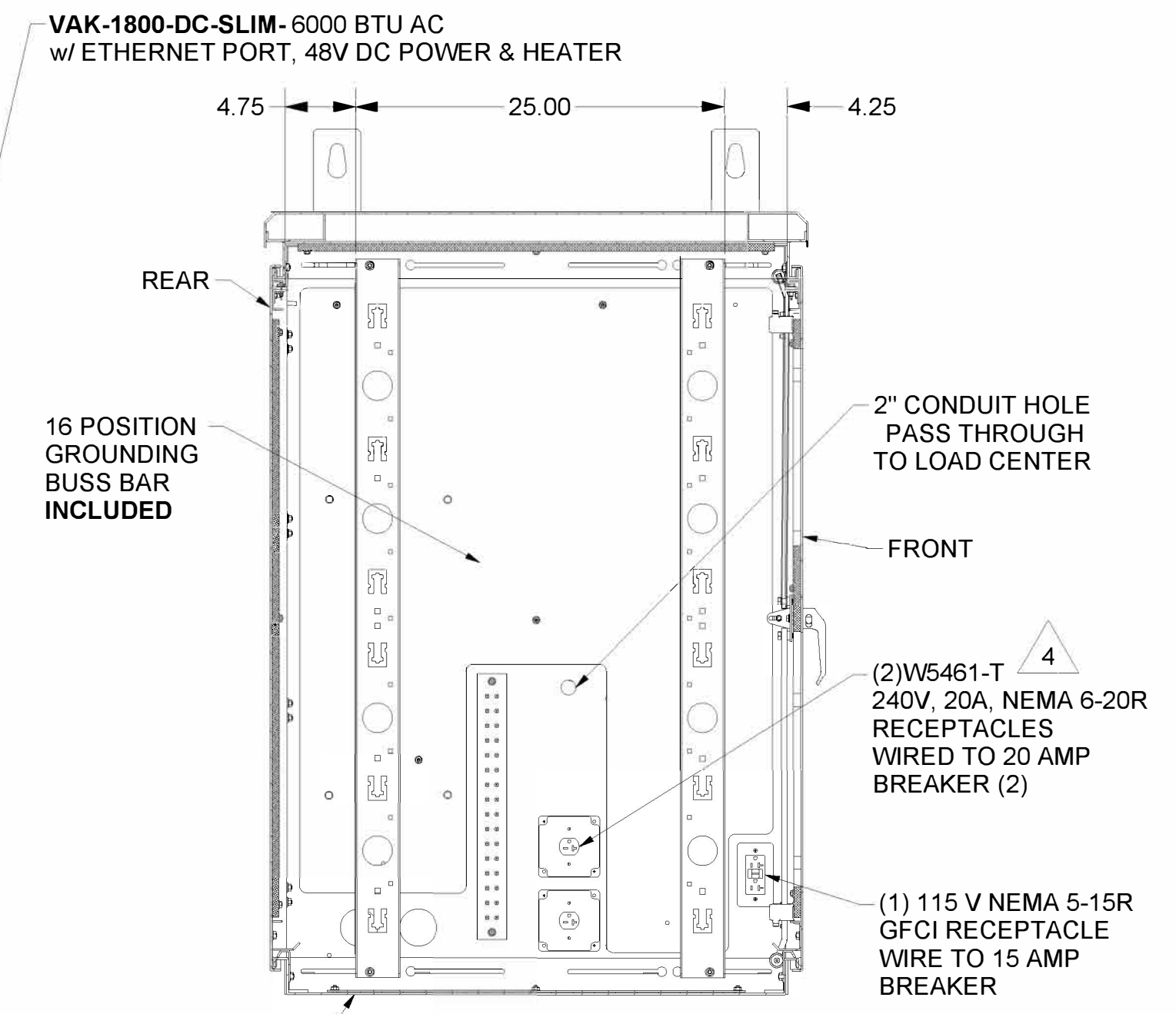


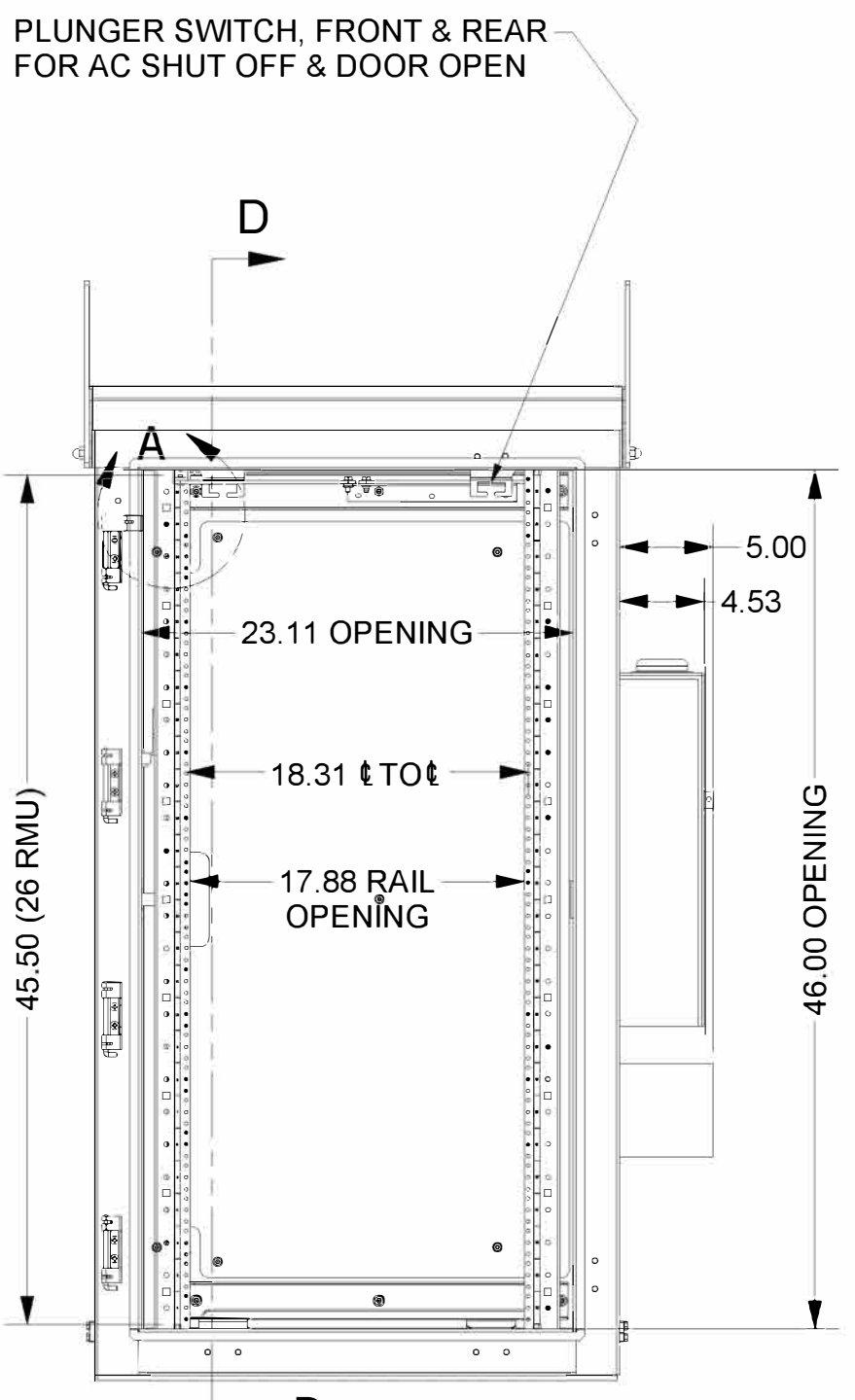
REVISION HISTORY			
REV	DESCRIPTION	DATE	APPROVED
0	PRELIM	12/6/22	JHS
1	ECO-08422	1/19/23	JHS
2	ECO-08422	2/25/23	JHS
3	ECO-08483	5/10/23	WSS
4	ECO-08483	6/1/23	JHS



LEFT SIDE VIEW

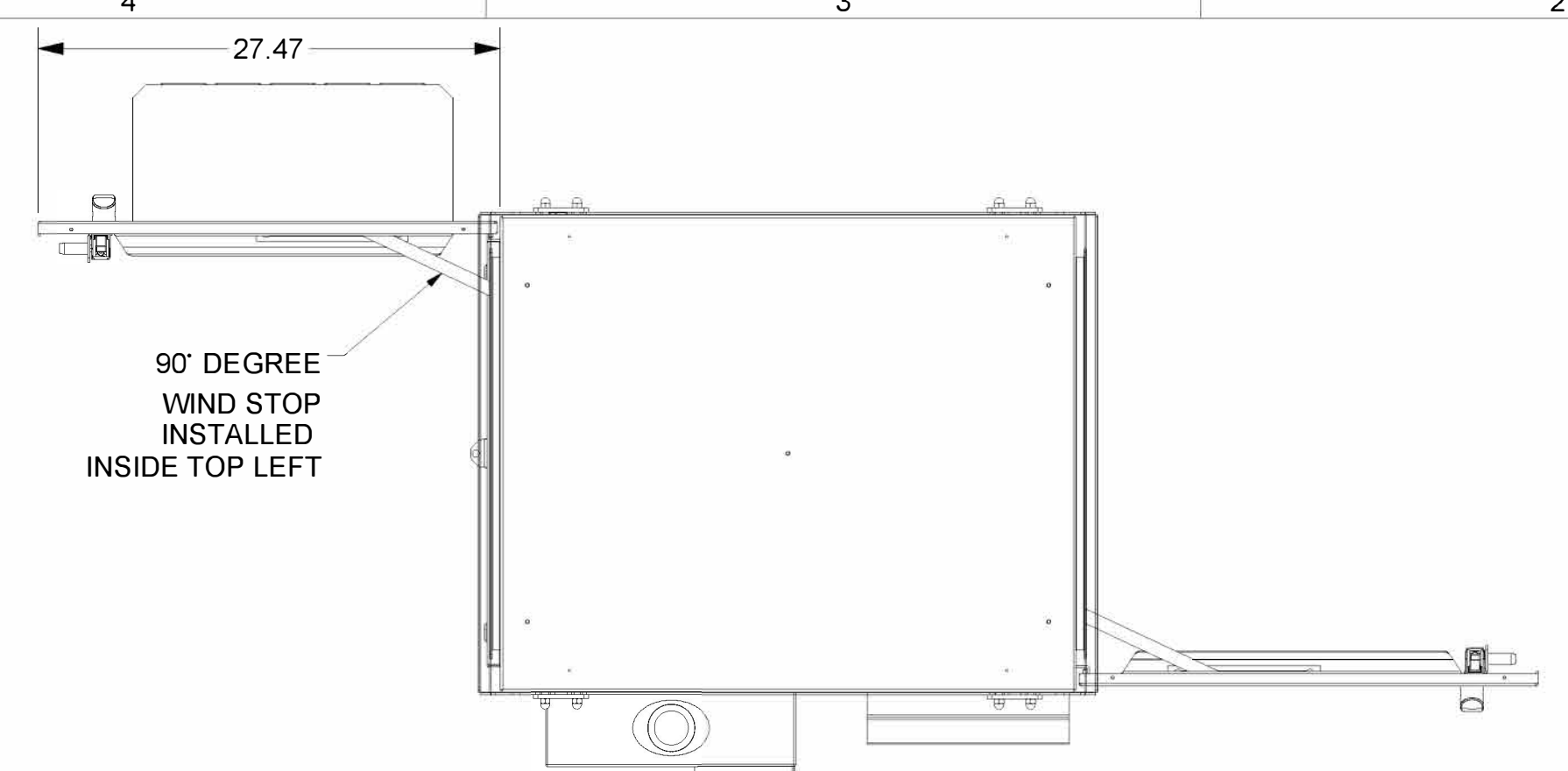


SECTION D-D
RIGHT INSIDE VIEW

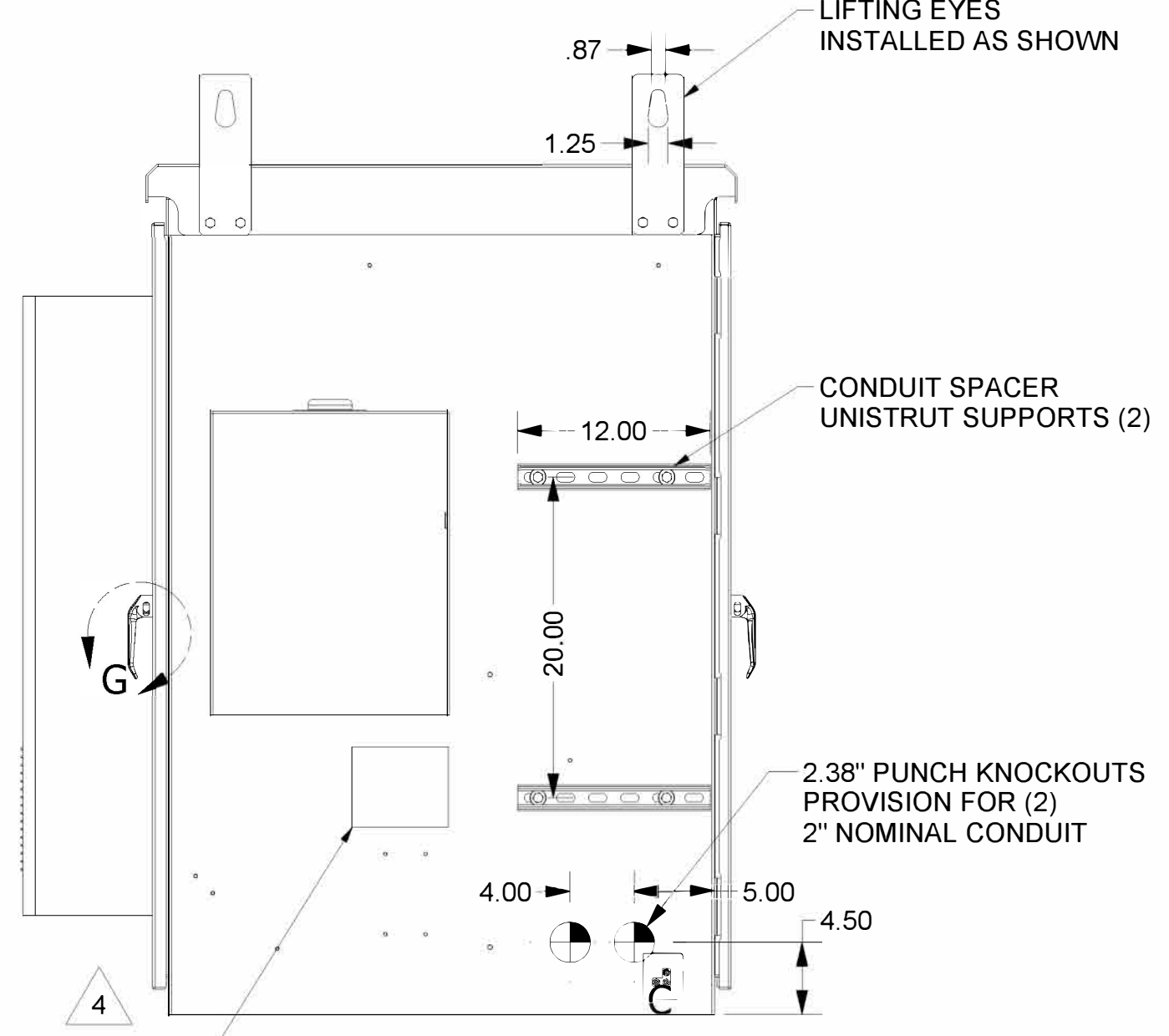


FRONT VIEW
DOORS & PLINTH COVER
NOT SHOWN

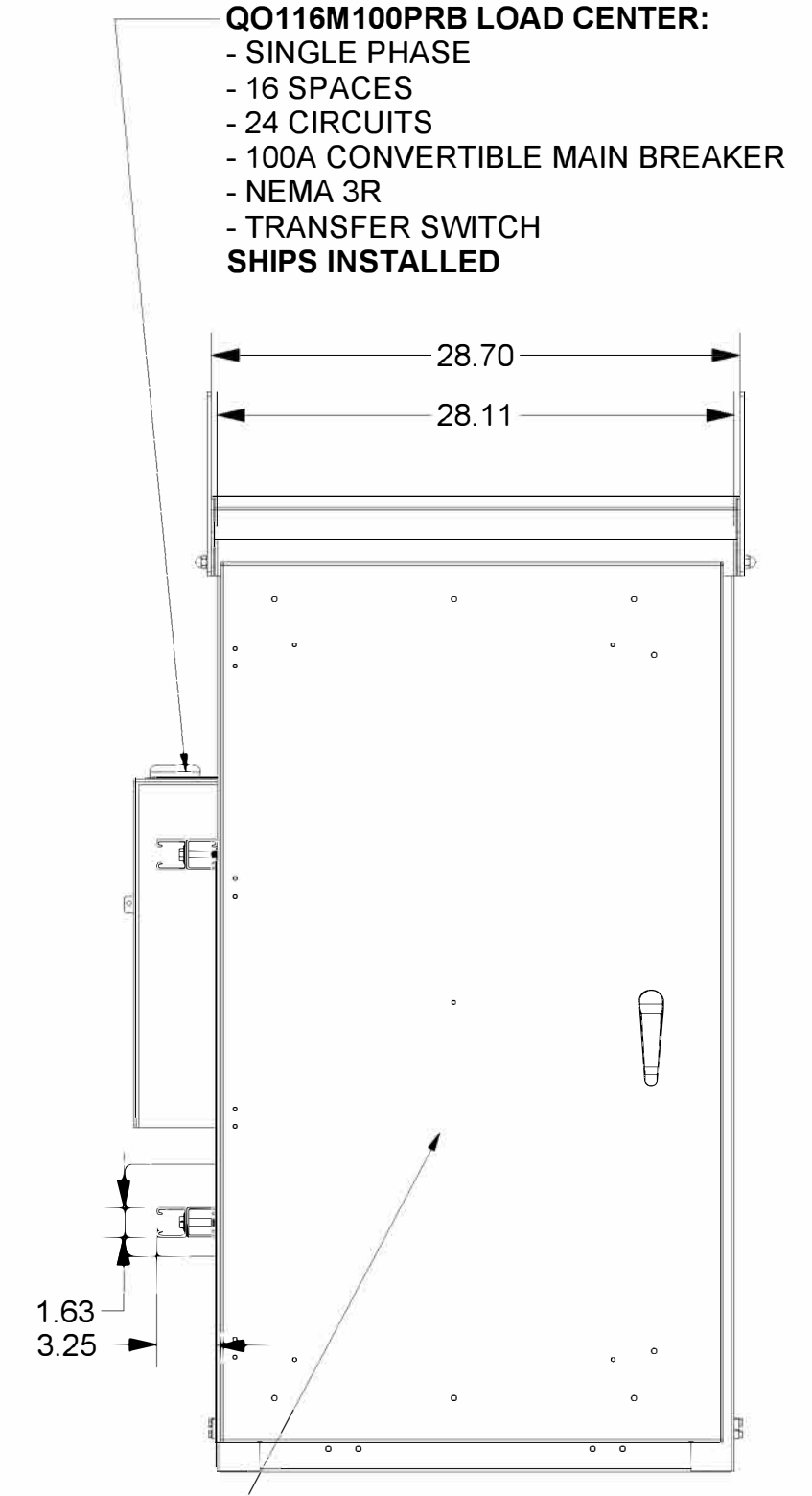
G0063381 - RAINTIGHT NON-METALLIC POWER INLET BOX



TOP VIEW
DOORS OPENED



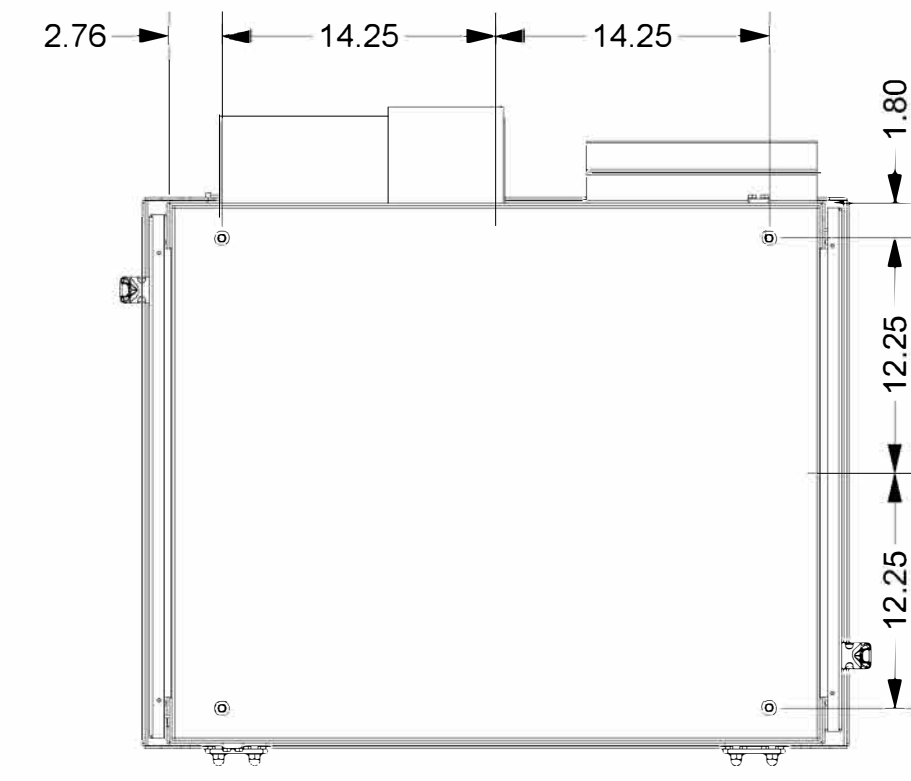
RIGHT SIDE VIEW



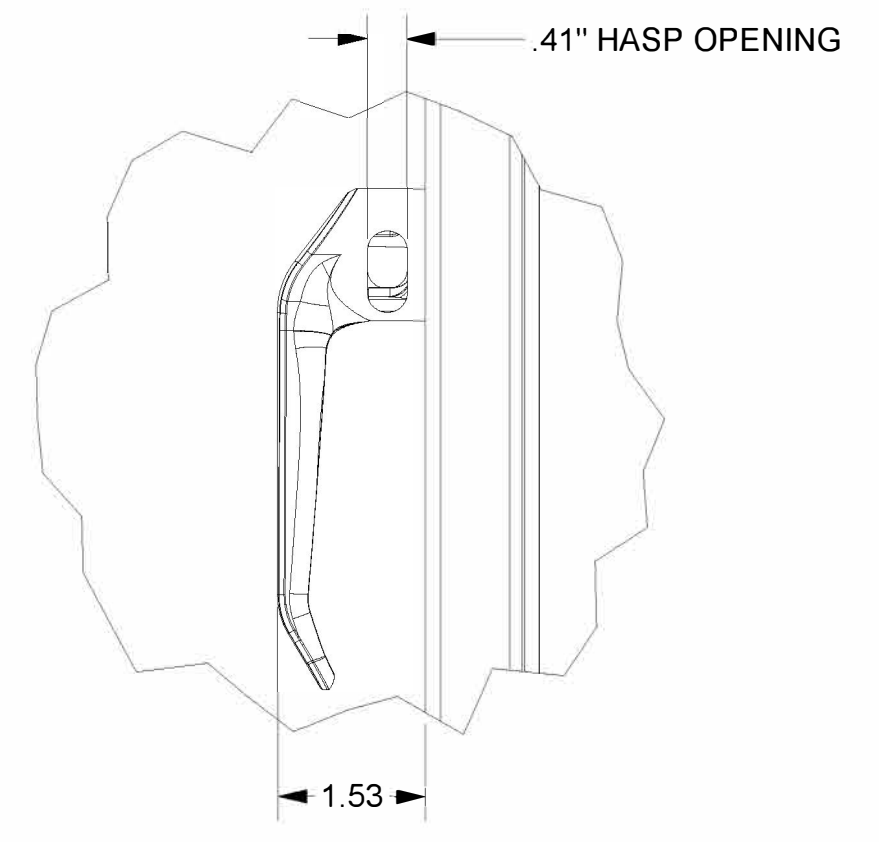
REAR VIEW

ALL DOORS, SIDES, AND TOP WILL GET 0.50THK INSULATION

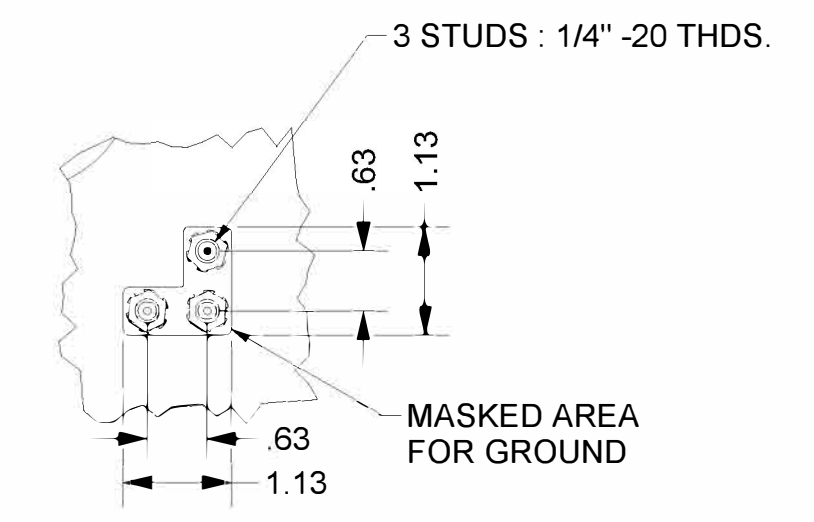
QO116M100PRB LOAD CENTER:
- SINGLE PHASE
- 16 SPACES
- 24 CIRCUITS
- 100A CONVERTIBLE MAIN BREAKER
- NEMA 3R
- TRANSFER SWITCH SHIPS INSTALLED



BOTTOM VIEW



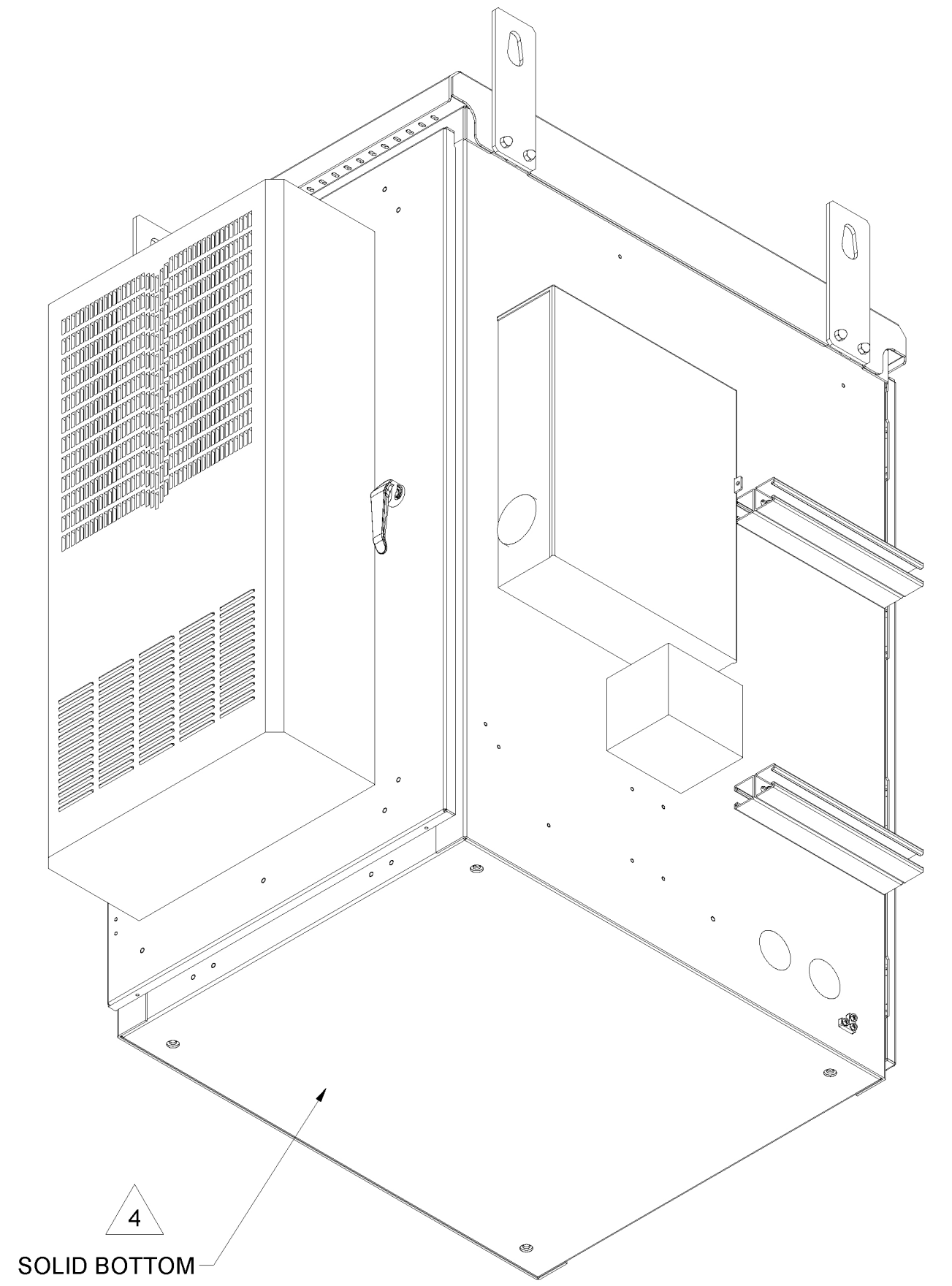
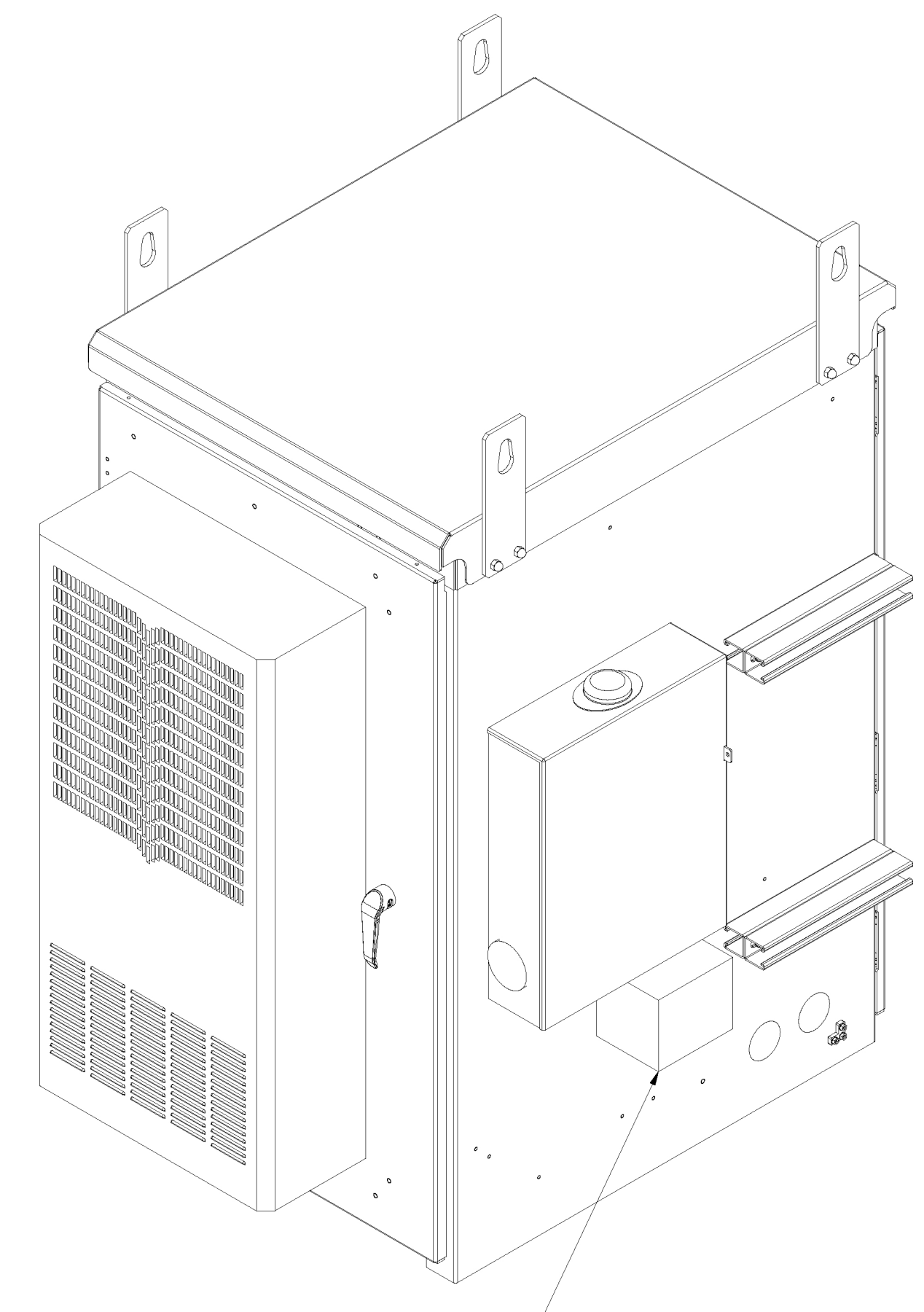
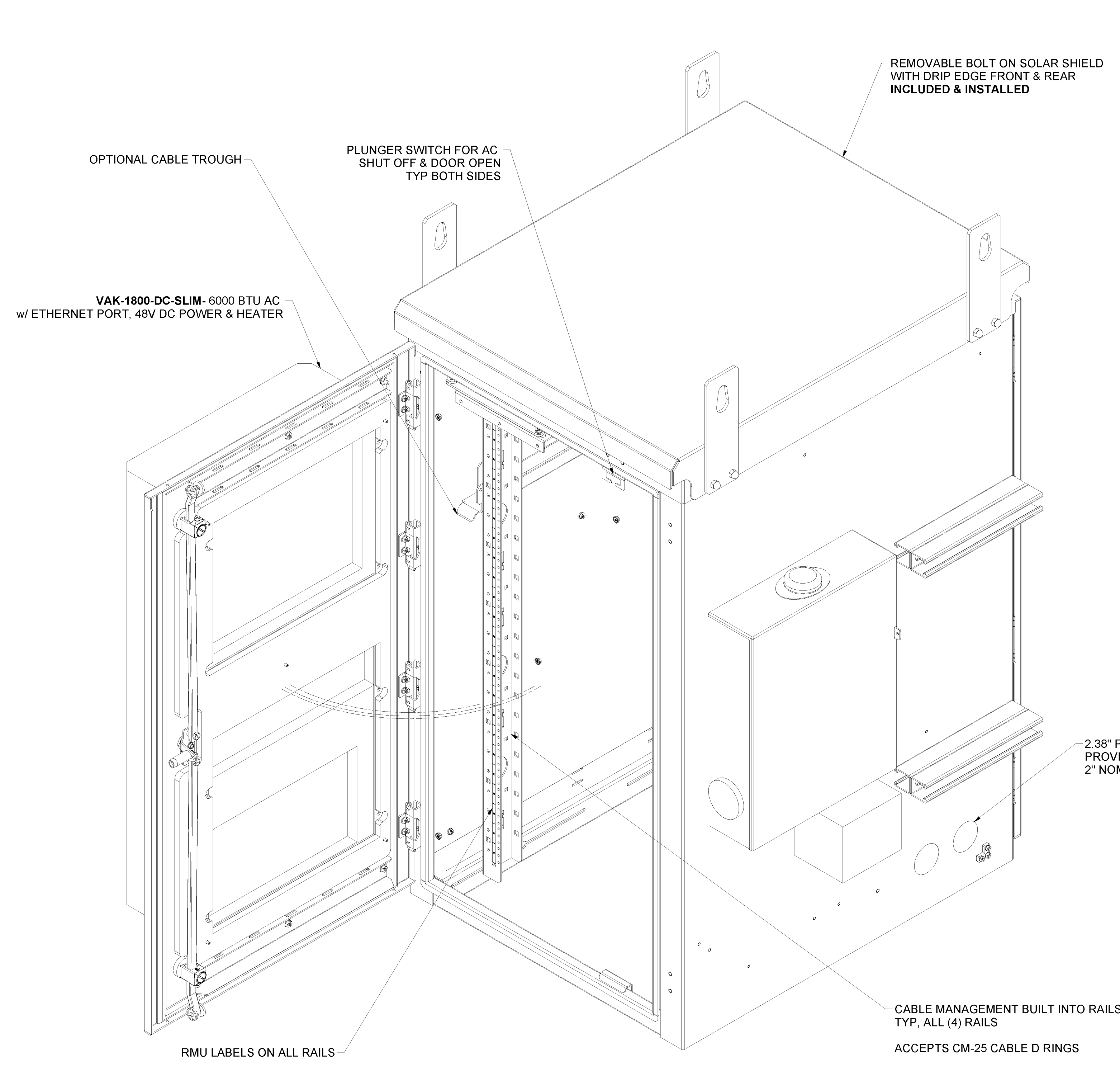
DETAIL G
SWING HANDLE



DETAIL C

- NOTES:**
- ENCLOSURE MATERIAL: .125" THL ALUMINUM
RAIL MATERIAL: 12 GA (.10")
 - ENCLOSURE FINISH: UV RATED POWDERCOAT
COLOR: LIGHT GREY TEXCTURE RAL 7035
 - ENCLOSURE NEMA 250 TYPE 3R RATED
 - INSULATION INCLUDED ALL SIDES, DOORS, AND TOP
 - SEE QUOTE LYNN FOR FULL DESCRIPTION

CUSTOMER APPROVAL *	DATE	INTERPRET DRAWING PER ASME Y14.5M-1994 DIMENSIONAL LIMITS APPLY AFTER APPLICATION OF FINISH DRAWING NOT TO SCALE TOLERANCE UNLESS OTHERWISE NOTED: ANGULAR +/- .1" XXXX +/- .010 XXX +/- .015 XX +/- .030 X FOR REF ONLY UNLESS OTHERWISE SPECIFIED ALL DIMENSIONS ARE IN INCHES	NOTICE: Use of this document is subject to a confidentiality and nondisclosure agreement with LYNN and may not be reproduced, disclosed or utilized in whole or in part without prior written authorization from LYNN.	PART NUMBER: OCB-13456B	TITLE 49"H (26 RMU) x 28"W x 34"D PAD MOUNT NEMA 250 TYPE 3R, ENCLOSURE
* CUSTOMER SIGN-OFF IS REQUIRED PRIOR TO MANUFACTURING.				QTY PER UNIT: 1	
* BY SIGNING THIS APPROVAL, THE CUSTOMER AGREES THAT THIS ORDER CAN NOT BE CANCELED AND NO CUSTOM PRODUCTS CAN BE RETURNED.				MATERIAL TYPE: ALUM	
				MATERIAL GAUGE: VARIES	
				FINISH: POWDER COATED	
				DRAWN: 1/19/23	DWG NO:
				CHECKED: 3/2/23	REV: 4
					SHEET 1 OF 2



CUSTOMER APPROVAL *	DATE	INTERPRET DRAWING PER ASME Y14.5M-1994	NOTICE:	PART NUMBER:	TITLE
		DIMENSIONAL LIMITS APPLY AFTER APPLICATION OF FINISH		OCB-13456B	49"H (26 RMU) x 28"W x 34"D PAD MOUNT NEMA 250 TYPE 3R, ENCLOSURE
* CUSTOMER SIGN-OFF IS REQUIRED PRIOR TO MANUFACTURING.	* BY SIGNING THIS APPROVAL, THE CUSTOMER AGREES THAT THIS ORDER CAN NOT BE CANCELED AND NO CUSTOM PRODUCTS CAN BE RETURNED.	DRAWING NOT TO SCALE	Use of this document is subject to a confidentiality and nondisclosure agreement with LYNN and may not be reproduced, disclosed or utilized in whole or in part without prior written authorization from LYNN.	QTY PER UNIT:	
		TOLERANCE UNLESS OTHERWISE NOTED:		1	
		ANGULAR +/- .1		MATERIAL TYPE:	
		.XXXX +/- .010		ALUM	
.XXX +/- .015	MATERIAL GAUGE:	VARIES			
.XX +/- .030	FINISH:	POWDER COATED			
.X FOR REF. ONLY	DRAWN:	1/19/22			
UNLESS OTHERWISE SPECIFIED ALL DIMENSIONS ARE IN INCHES	CHECKED:	3/2/23			
				DWG NO:	REV
					4
					SHEET 2 OF 2