




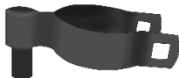
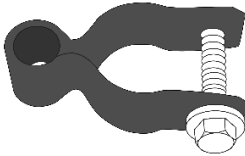

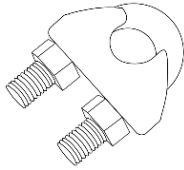
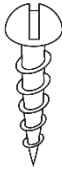




Dog Fence Top Rail/Dual Rail Access Gate Installation Instructions

Note: These instructions are for **BOTH** top and dual rail fence systems. Extra components will be utilized for Dual Rail systems **ONLY**.

HARDWARE PARTS – DE911100R

<p>A</p> <p>QTY: 6</p>  <p>1 5/8" Brace Band Black</p> <p>SKU: DE8080-1</p>	<p>B</p> <p>QTY: 6</p>  <p>1 3/8" Brace Cup Black</p> <p>SKU: DE8142-1</p>	<p>C</p> <p>QTY: 4</p>  <p>Corner Elbow Hex 1 3/8" Heavy Duty Black</p> <p>SKU: DE8112</p>	<p>D</p> <p>QTY: 2</p>  <p>End Clamp Black Galvanized Steel 1 3/8" x 1 3/8"</p> <p>SKU: DE8154</p>
<p>E</p> <p>QTY: 2</p>  <p>Turnbuckle Gate Tension Assembly</p> <p>SKU: DE8464</p>	<p>F</p> <p>QTY: 2</p>  <p>Male Hinge Black Galvanized Steel 1 5/8"</p> <p>SKU: DE8212</p>	<p>G</p> <p>QTY: 2</p>  <p>Female Hinge Black Galvanized Steel 1 3/8"</p> <p>SKU: DE2810</p>	<p>H</p> <p>QTY: 2</p>  <p>Fork Latch Assembly 1 5/8" Black</p> <p>SKU: DE8180</p>
<p>I</p> <p>QTY: 2</p>  <p>Monofilament Connector Clip</p> <p>SKU: DE2830-1</p>	<p>J</p> <p>QTY: 24</p>  <p>Self-Tapping Screw 3/4"</p> <p>SKU: DE9978-1</p>	<p>K</p> <p>QTY: 2</p>  <p>Carriage Bolt w/Washer & Nut Hot Dip Galvanized - 5/16" x 2"</p> <p>SKU: DE8044</p>	<p>L</p> <p>QTY: 4</p>  <p>Carriage Bolt w/Washer & Nut Hot Dip Galvanized - 3/8" x 2"</p> <p>SKU: DE8054</p>

M

QTY: 6

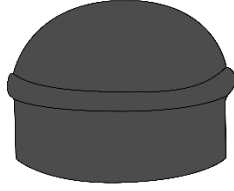


Carriage Bolt w/Washer & Nut
Hot Dip Galvanized - 5/16" x 1
1/2"

SKU: DE8042

N

QTY: 2



1 5/8" Black Dome Post Cap

SKU: DE2886-1

O

QTY: 1 pk



8" High Strength Nylon Self-
Locking Ties – 50pk

SKU: DE2853

P

QTY: 2



Black Ground Sleeve for 1 5/8"
Post

SKU: DE8196

Recommended Tools (not included)

Power Drill with 5/16" Drill Bit

Socket Wrench 5/16" or Adjustable wrenches

Tape Measure

Level

Sledgehammer

Earth Auger/Digging Bar

Pipe Part List for 6' Dog Access Gate

	6' H x 3' W			6' H x 4' W			6' H x 5' W			6' H x 6' W			6' H x 7' W		
	Qty	Pipe Measurement	SKU	Qty	Pipe Measurement	SKU	Qty	Pipe Measurement	SKU	Qty	Pipe Measurement	SKU	Qty	Pipe Measurement	SKU
Frame/Line Posts (N)	2	1 5/8" x 84"	DE8358-084	2	1 5/8" x 84"	DE8358-084	2	1 5/8" x 84"	DE8358-084	2	1 5/8" x 84"	DE8358-084	2	1 5/8" x 84"	DE8358-084
Horizontal Pipe for Gate Door (C)	2	1 3/8" x 33"	DE8352-033	2	1 3/8" x 45"	DE8352-045	2	1 3/8" x 57"	DE8352-057	2	1 3/8" x 69"	DE8352-069	2	1 3/8" x 81"	DE8352-081
Vertical Pipe for Gate Door (B)	2	1 3/8" x 68"	DE8352-068	2	1 3/8" x 68"	DE8352-068	2	1 3/8" x 68"	DE8352-068	2	1 3/8" x 68"	DE8352-068	2	1 3/8" x 68"	DE8352-068
Center Bar (D)	1	1 3/8" x 32"	DE8352-032	1	1 3/8" x 44"	DE8352-044	1	1 3/8" x 56"	DE8352-056	1	1 3/8" x 68"	DE8352-068	1	1 3/8" x 80"	DE8352-080

Pipe Part List for 5' Dog Access Gate

	5' H x 3' W			5' H x 4' W			5' H x 5' W			5' H x 6' W			5' H x 7' W		
	Qty	Pipe Measurement	SKU	Qty	Pipe Measurement	SKU	Qty	Pipe Measurement	SKU	Qty	Pipe Measurement	SKU	Qty	Pipe Measurement	SKU
Frame/Line Posts (N)	2	1 5/8" x 72"	DE8358-072	2	1 5/8" x 72"	DE8358-072	2	1 5/8" x 72"	DE8358-072	2	1 5/8" x 72"	DE8358-072	2	1 5/8" x 72"	DE8358-072
Horizontal Pipe for Gate Door (C)	2	1 3/8" x 33"	DE8352-033	2	1 3/8" x 45"	DE8352-045	2	1 3/8" x 57"	DE8352-057	2	1 3/8" x 69"	DE8352-069	2	1 3/8" x 81"	DE8352-081
Vertical Pipe for Gate Door (B)	2	1 3/8" x 58"	DE8352-058	2	1 3/8" x 58"	DE8352-058	2	1 3/8" x 58"	DE8352-058	2	1 3/8" x 58"	DE8352-058	2	1 3/8" x 58"	DE8352-058
Center Bar (D)	1	1 3/8" x 32"	DE8352-032	1	1 3/8" x 44"	DE8352-044	1	1 3/8" x 56"	DE8352-056	1	1 3/8" x 68"	DE8352-068	1	1 3/8" x 80"	DE8352-080

Pipe Part List for 4' Dog Access Gate

	4' H x 3' W			4' H x 4' W			4' H x 5' W			4' H x 6' W			4' H x 7' W		
	Qty	Pipe Measurement	SKU	Qty	Pipe Measurement	SKU	Qty	Pipe Measurement	SKU	Qty	Pipe Measurement	SKU	Qty	Pipe Measurement	SKU
Frame/Line Posts (N)	2	1 5/8" x 60"	DE8358-060	2	1 5/8" x 60"	DE8358-060	2	1 5/8" x 60"	DE8358-060	2	1 5/8" x 60"	DE8358-060	2	1 5/8" x 60"	DE8358-060
Horizontal Pipe for Gate Door (C)	2	1 3/8" x 33"	DE8352-033	2	1 3/8" x 45"	DE8352-045	2	1 3/8" x 57"	DE8352-057	2	1 3/8" x 69"	DE8352-069	2	1 3/8" x 81"	DE8352-081
Vertical Pipe for Gate Door (B)	2	1 3/8" x 44"	DE8352-044	2	1 3/8" x 44"	DE8352-044	2	1 3/8" x 44"	DE8352-044	2	1 3/8" x 44"	DE8352-044	2	1 3/8" x 44"	DE8352-044
Center Bar (D)	1	1 3/8" x 32"	DE8352-032	1	1 3/8" x 44"	DE8352-044	1	1 3/8" x 56"	DE8352-056	1	1 3/8" x 68"	DE8352-068	1	1 3/8" x 80"	DE8352-080

Pipe Part List for 3' Dog Access Gate

	3' H x 3' W			3' H x 4' W			3' H x 5' W			3' H x 6' W			3' H x 7' W		
	Qty	Pipe Measurement	SKU	Qty	Pipe Measurement	SKU	Qty	Pipe Measurement	SKU	Qty	Pipe Measurement	SKU	Qty	Pipe Measurement	SKU
Frame/Line Posts (N)	2	1 5/8" x 48"	DE8358-048	2	1 5/8" x 48"	DE8358-048	2	1 5/8" x 48"	DE8358-048	2	1 5/8" x 48"	DE8358-048	2	1 5/8" x 48"	DE8358-048
Horizontal Pipe for Gate Door (C)	2	1 3/8" x 33"	DE8352-033	2	1 3/8" x 45"	DE8352-045	2	1 3/8" x 57"	DE8352-057	2	1 3/8" x 69"	DE8352-069	2	1 3/8" x 81"	DE8352-081
Vertical Pipe for Gate Door (B)	2	1 3/8" x 32"	DE8352-032	2	1 3/8" x 32"	DE8352-032	2	1 3/8" x 32"	DE8352-032	2	1 3/8" x 32"	DE8352-032	2	1 3/8" x 32"	DE8352-032
Center Bar (D)	1	1 3/8" x 32"	DE8352-032	1	1 3/8" x 44"	DE8352-044	1	1 3/8" x 56"	DE8352-056	1	1 3/8" x 68"	DE8352-068	1	1 3/8" x 80"	DE8352-080

Dog Fence Top Rail Access Gate Installation Instructions

1. Layout **two (2) GROUND SLEEVE (P)** where you would like your access gate to go on your fence line. Using the table below, measure out your gate distance between your post going from the **INSIDE** edge of one **GROUND SLEEVE (P)** to the **INSIDE** edge of the opposite **GROUND SLEEVE (P)**.

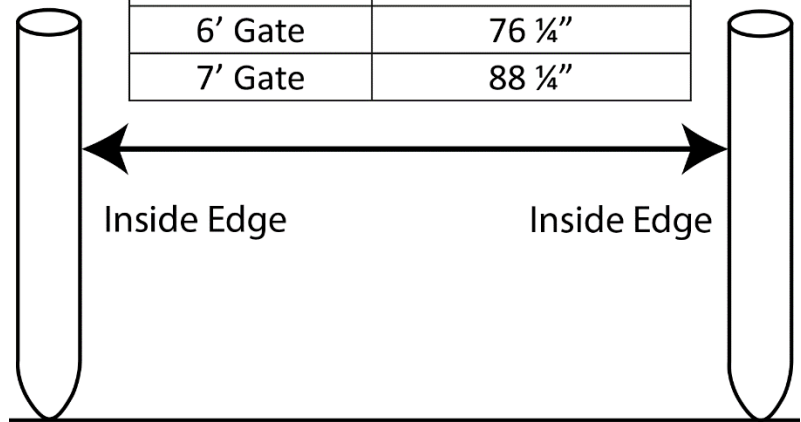
Note: It is **EXTREMELY** important to double check the measurement between the **SLEEVES (P)** before proceeding with the next step as it can be difficult to remove the sleeves once in the ground.

Gate Width	Distance between sleeves– INSIDE EDGE TO INSIDE EDGE
3' Gate	40 ¼"
4' Gate	52 ¼"
5' Gate	64 ¼"
6' Gate	76 ¼"
7' Gate	88 ¼"

1.

Measure based on gate width.
Cross-reference table for exact distance.

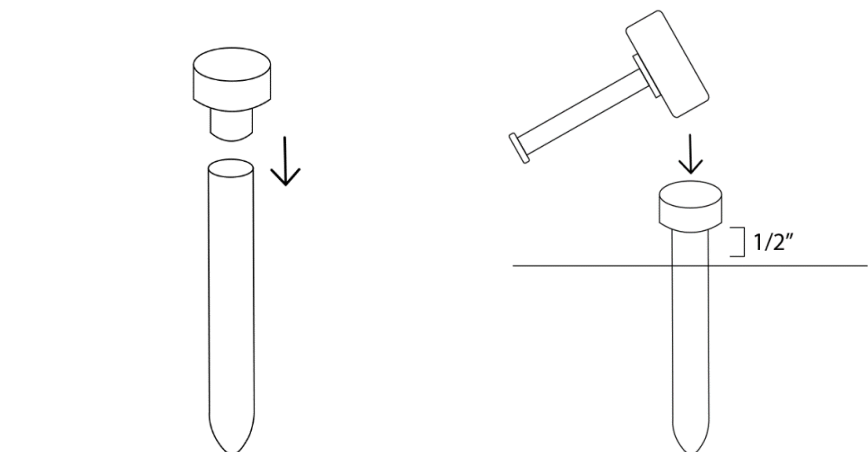
Gate Width	Distance between sleeves– INSIDE EDGE TO INSIDE EDGE
3' Gate	40 ¼"
4' Gate	52 ¼"
5' Gate	64 ¼"
6' Gate	76 ¼"
7' Gate	88 ¼"



2. Using a **DRIVE CAP (Sold Separately; SKU: DE2812)** and a sledgehammer, drive the **GROUND SLEEVES (P)** into the ground where previously measured, leaving ½" above ground to keep out debris and allow for securing the post. Care should be taken to ensure that the sleeves are as straight as possible.

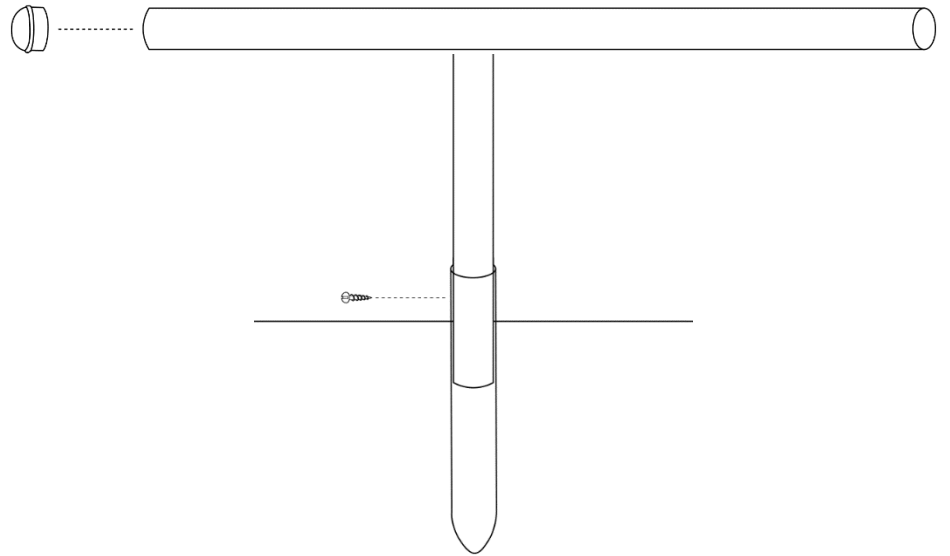
Note: On hard ground it may be necessary to use an **EARTH AUGER (Sold Separately; SKU: DE8189)** or **DIGGING BAR** to make a hole before driving the ground sleeves in.

2.



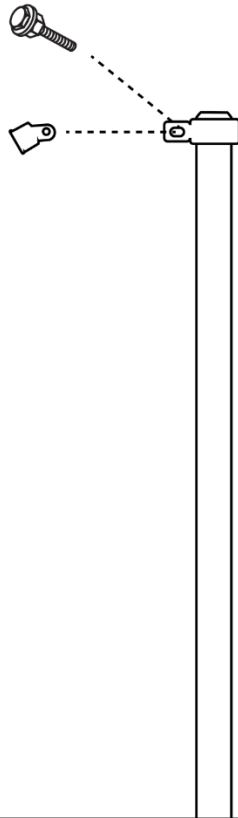
3. Insert the **DOME CAPS (N)** on the top of each **FRAME POST (N)** before sliding into the **GROUND SLEEVES (P)**. Lock posts into place by screwing through the sleeve and into the post using a **SELF-TAPPING SCREW (J)**.

3.



4. For top rail: Slip **BRACE BAND (A)** and **BRACE CUP (B)** over each **FRAME POST (N)** and position them to the top of the **FRAME POST (N)**. When attaching the **BRACE CUP (B)** to the **BRACE BAND (A)**, position the cup so that it will be **in line** with the fence line. Use **CARRIAGE BOLT (M)** to hold the **BRACE BAND (B)** and **BRACE CUP (A)** in position. Do not fully tighten. This cup is used to terminate top rails at the gate. See **TOP RAIL INSTRUCTIONS** for more details.

4-a.

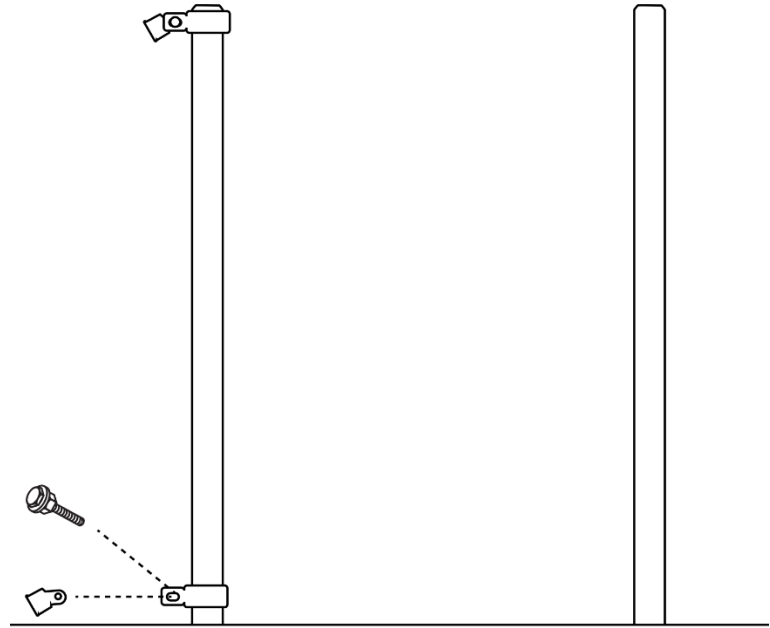


Top Rail

4. For Dual Rail: Slip **TWO BRACE BANDS (A)** and **BRACE CUPS (B)** over each **FRAME POST (N)** and position one set of **BRACE BAND AND CUP** to the bottom of the **FRAME POST (N)**. Position the second set of **BRACE BAND AND CUP** at the top of the **FRAME POST (N)**. When attaching the **BRACE CUP (B)** to the **BRACE BAND (A)**, position the cup so that it will be **in line** with the fence line. Use **CARRIAGE BOLT (M)** to hold the **BRACE BAND (B)** and **BRACE CUP (A)** in position. Do not fully tighten. This cup is used to terminate top and bottom rails at the gate. See **DUAL RAIL INSTRUCTIONS** for more details.

Dual Rail

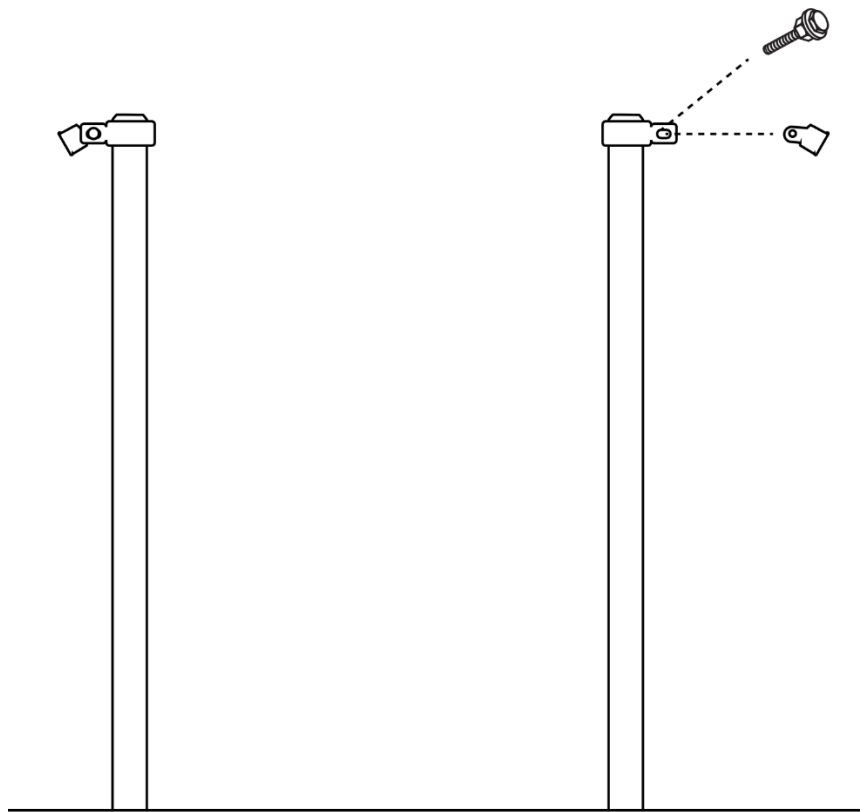
4-b.



5. Repeat **STEP 4** for the opposite **FRAME POST (N)**.

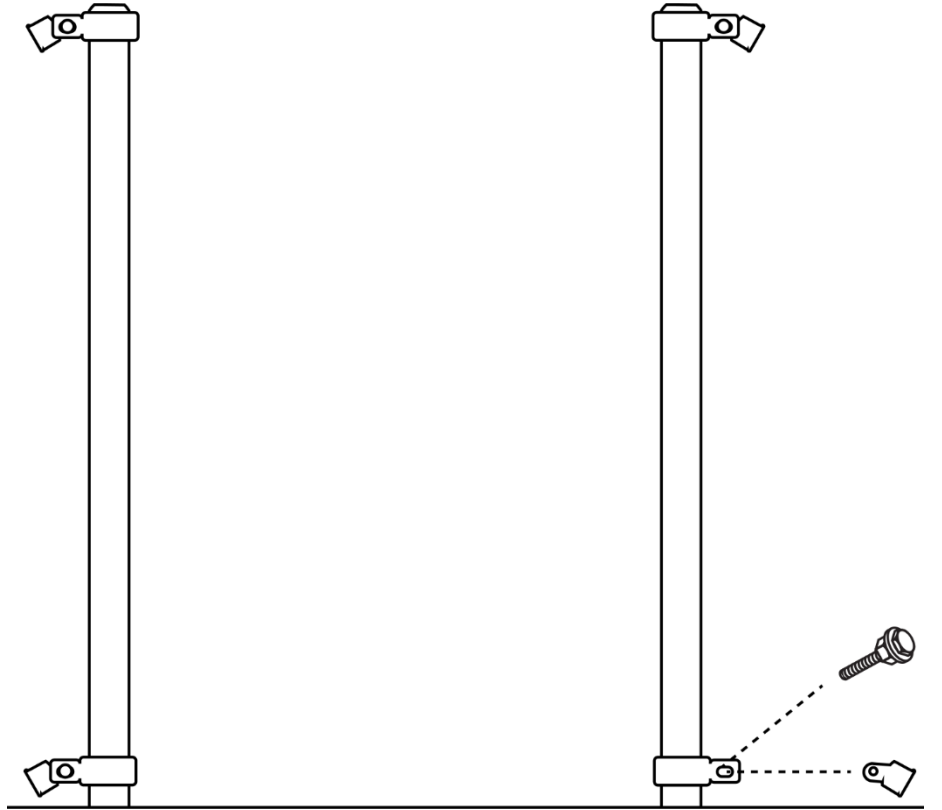
Top Rail

5-a.



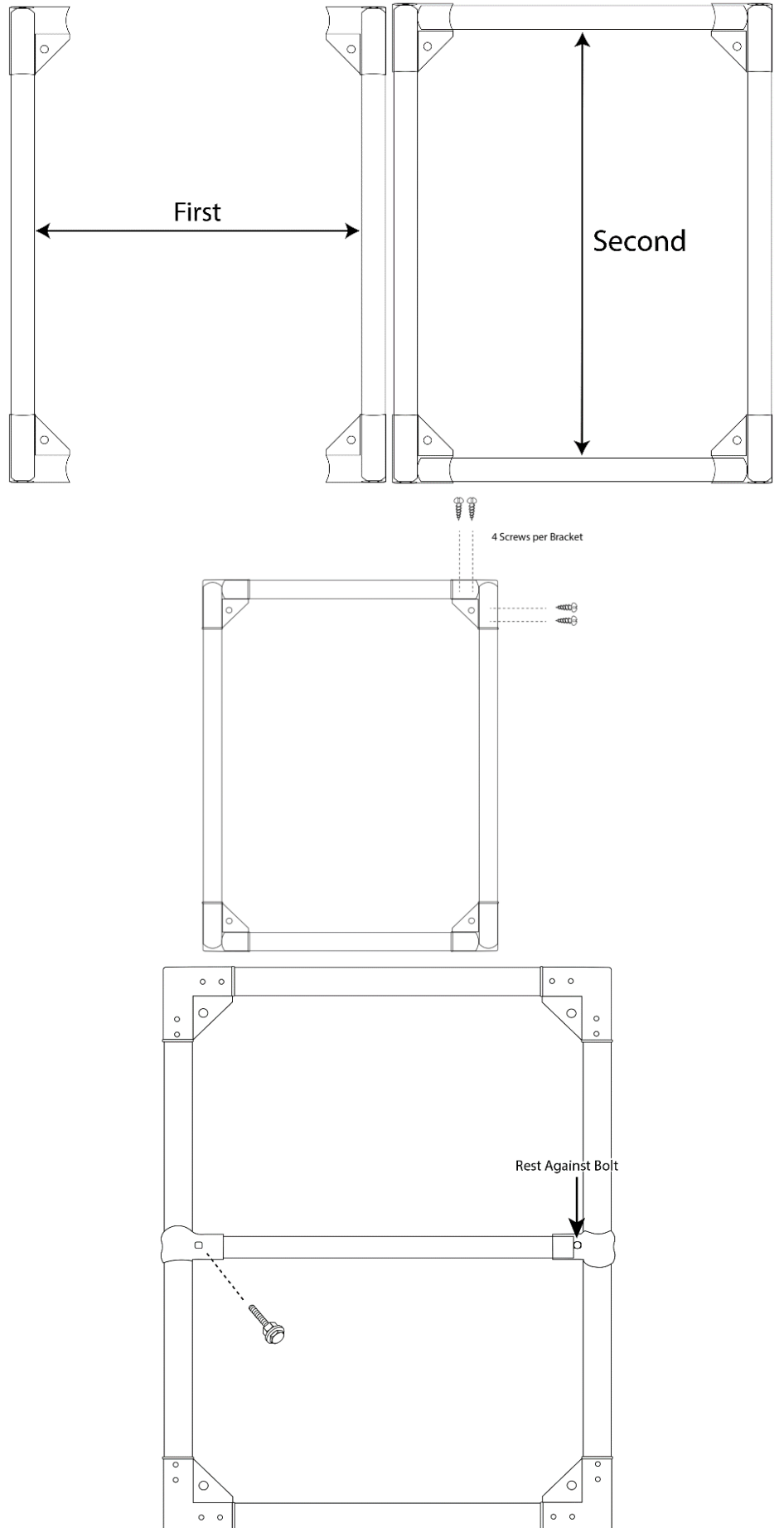
Dual Rail

5-b.



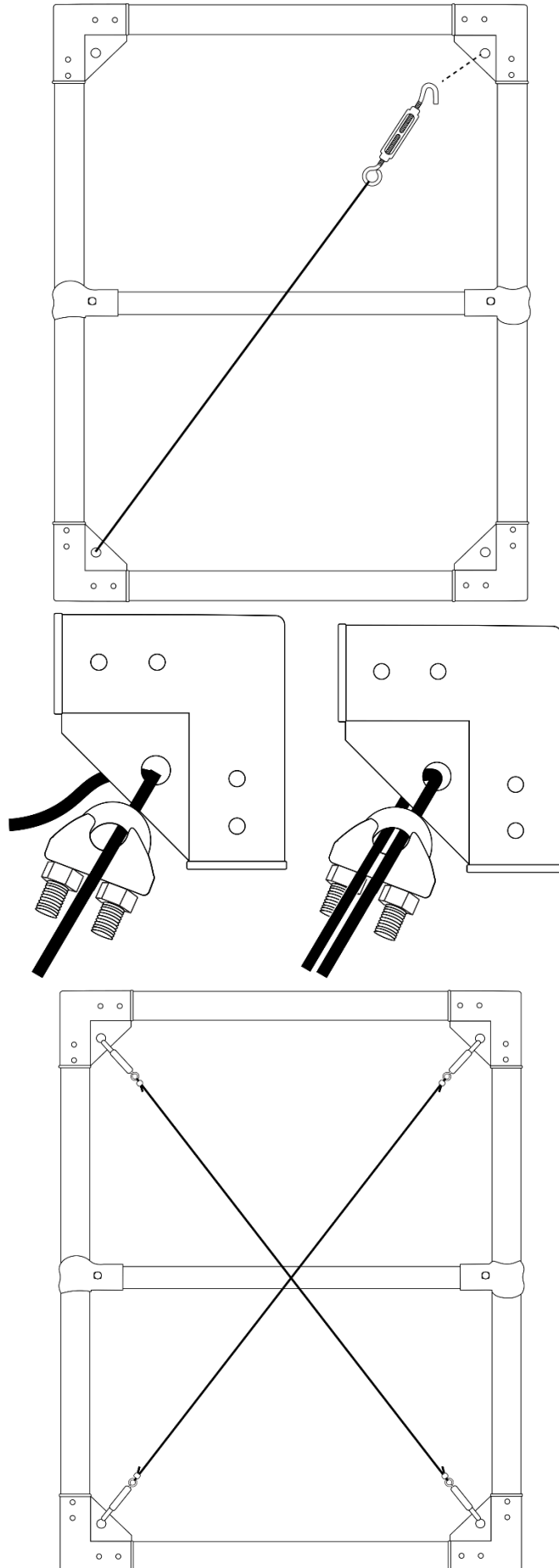
6. Insert **VERTICAL GATE DOOR POST (B)** into **CORNER ELBOW (C)**. Then slide in the **HORIZONTAL GATE DOOR POST (C)** into the **CORNER ELBOW (C)** so that it presses tightly against the **VERTICAL POST (B)**. Secure the **POSTS** inside the **CORNER ELBOWS (C)** using **SELF-TAPPING SCREWS (J)**. Finally, attach the **CENTER BAR (D)** on both sides of the **VERTICAL GATE POSTS (B)** with an **END CLAMP (D)** on either end. Secure the **END CLAMP (D)** in place with a **CARRIAGE BOLT (K)** on the **CENTER** of each **VERTICAL GATE POST (B)**.

6.



7. Open the **TURNBUCKLE (E)** by twisting both ends. Place the hook end of one **TURNBUCKLE (E)** through the hole in one top **CORNER ELBOW (C)** and stretch the cable diagonally to the hole in the bottom **CORNER ELBOW (C)**. Pass the cable through the **CONNECTION CLIP (I)** and then through the hole in the **CORNER ELBOW (C)**. Pass the end of the cable through the **CONNECTION CLIP (I)** again. Position the **CONNECTION CLIP (I)** close to the **CORNER ELBOW (C)** and tighten using the small nuts. Repeat on the opposite side creating an "X" across the gate. Evenly tighten the **TURNBUCKLES (E)** on each side to keep the gate square.

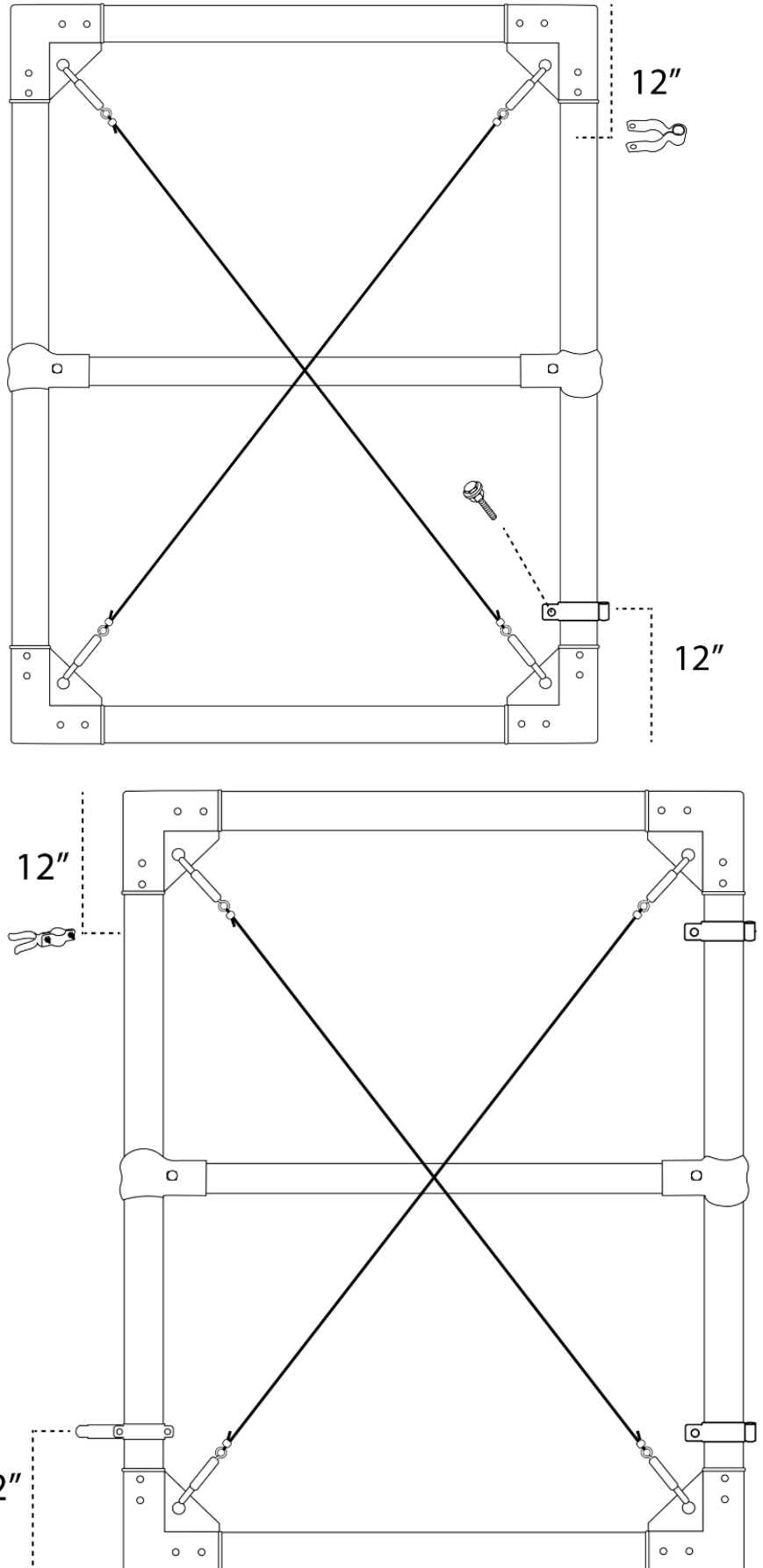
7.



8. On one side of the newly assembled gate door, measure **12"** from the **TOP** and **12"** from the **BOTTOM** of the door. Attached the **FEMALE HINGE (G)** at these marked points with a **CARRIAGE BOLT (L)**. On the opposite side of the gate door, attach the **FORK LATCH (H)** at the same height as the **FEMALE HINGES (G)**; **12"** from the **TOP** and **12"** from the **BOTTOM**.

Note: You can attach the hinges and latches to either side of the door frame to accommodate which way it will open in the system.

8.

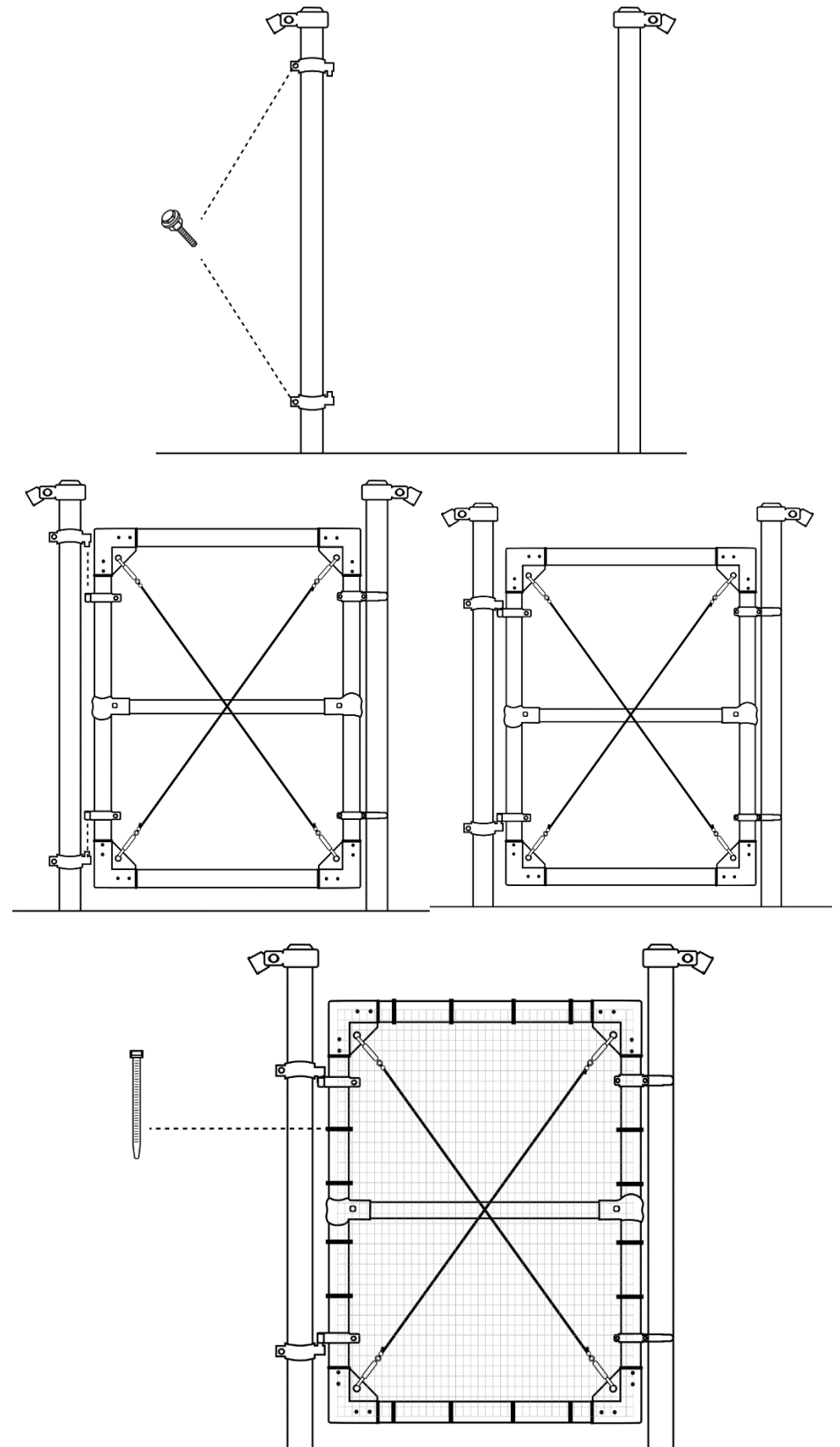


Top Rail

9. Attach the **MALE HINGES (F)** to one side of the **FRAME POST (N)** and secure them with a **CARRIAGE BOLT (L)**. Do not tighten the bolts completely. Position the **GATE DOOR** on the **INSIDE** of the **FRAME POSTS (N)** at the desired height, then slide the **MALE HINGES (F)** up into the **FEMALE HINGES (G)** to attach the gate. Once positioned, you can tighten the **CARRIAGE BOLTS (L)** of the **MALE HINGES (F)**. Finally, cover the entire **GATE DOOR** with your fence mesh (**NOT INCLUDED**) and fasten the mesh to the **GATE DOOR** using **SELF-LOCKING TIES (O)**. Trim excess material as needed.

Note: You do not need a tie for every square on the mesh. We recommend 1 tie for every 1' along the pipe of the gate door.

9-a.



Dual Rail

9-b.

