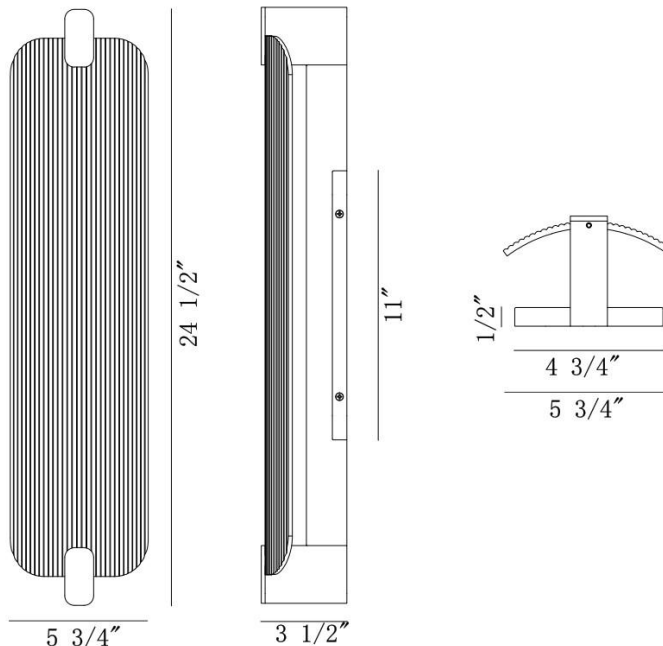


JOB NAME:

DATE:

TYPE:

COMMENTS:



## LIGHT INFORMATION

Light Type	Integrated LED
CRI	90
Delivered Lumens	887
Color Temperature	3000K
LED Lifespan (L70)	52000
Number of Lights	1
Light Direction	Ambient
Dimming Method	Triac/Elv
Current Type	DC
Input Voltage	120-277
Total Wattage	18

## DIMENSIONS & WEIGHT

Width (In)	5.75
Height (In)	24.5
Ext (In)	3.5
Weight (Lbs)	5.07

## INSTALLATION

Mounting Type	J-Box
Rating	Wet
Hanging Support Type	J-Box

## PRODUCT FINISH

Matte Black

## SHADE FINISH

Clear Glass

## CERTIFICATIONS & COMPLIANCE

