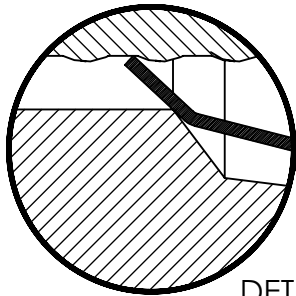
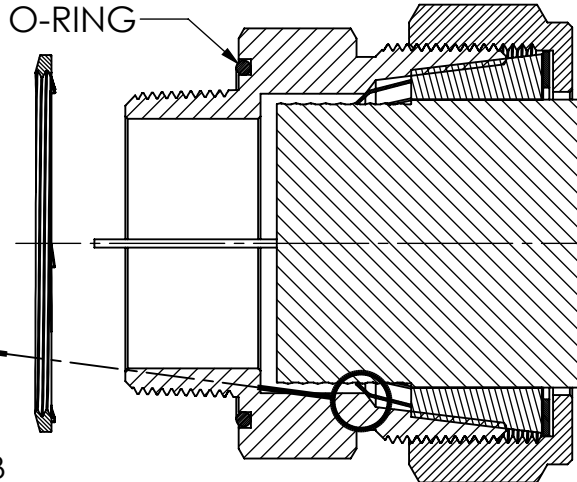
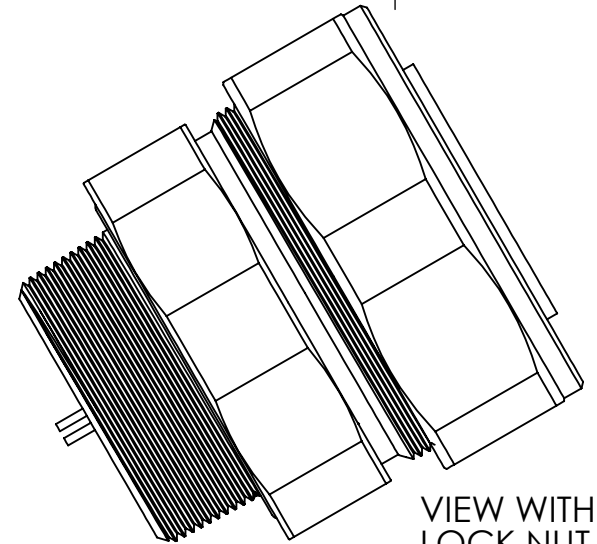


LOCK NUT  
OPTIONAL  
ADD: L



DETAIL B  
SCALE 2 : 1

SECTION A-A



VIEW WITHOUT  
LOCK NUT



REV.	DATE	CHANGE	UNLESS OTHERWISE SPECIFIED:	NAME	DATE	<b>REMKE</b> <b>REMKE INDUSTRIES</b> 310 CHADDICK DR, WHEELING, IL. 60090	
A	12/3/13	RELEASED DRAWING	DIMENSIONS ARE IN INCHES TOLERANCES: FRACTIONAL ± 1/64 ANGULAR: MACH ± 1° BEND ± 1° ONE PLACE DECIMAL ± .015 TWO PLACE DECIMAL ± .010 THREE PLACE DECIMAL ± .005	DRAWN	JCN	12/13	TITLE:
			INTERPRET GEOMETRIC TOLERANCING PER:	CHECKED			
			MATERIAL	ENG APPR.			
			FINISH	MFG APPR.			
			DO NOT SCALE DRAWING	Q.A.			
				<b>PROPRIETARY AND CONFIDENTIAL</b> THE INFORMATION CONTAINED IN THIS DRAWING IS THE SOLE PROPERTY OF REMKE INDUSTRIES. ANY REPRODUCTION IN PART OR AS A WHOLE WITHOUT THE WRITTEN PERMISSION OF REMKE INDUSTRIES IS PROHIBITED.		SIZE <b>A</b>	DWG. NO. <b>RTKSS-350-25</b>
						SCALE: 1:2.5	SHEET 1 OF 1