

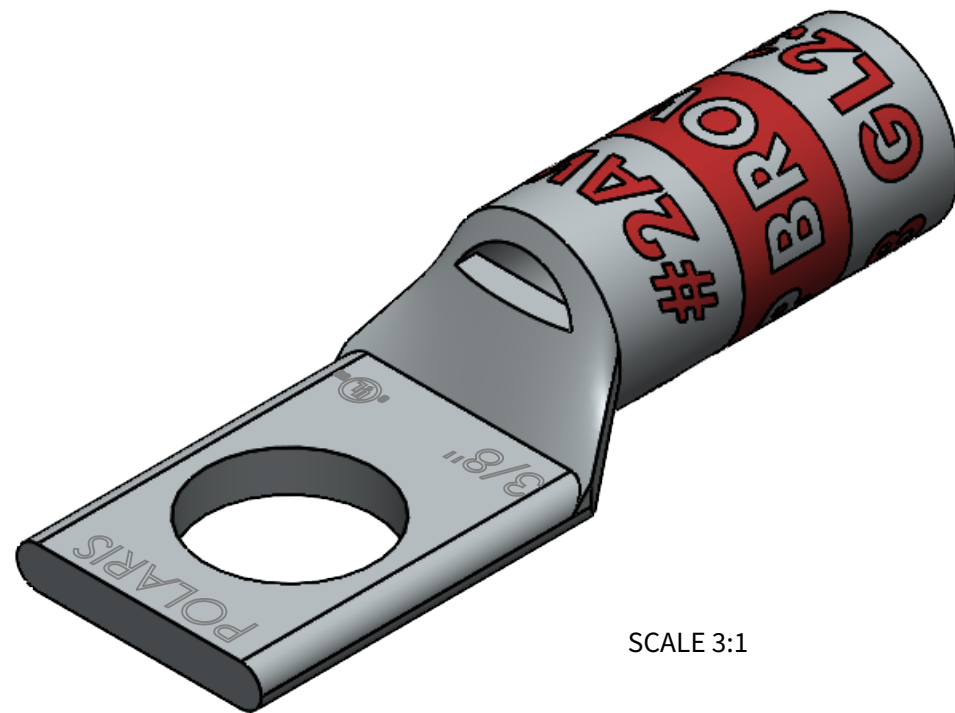
FEATURES:

1. Material: Tin Plated CU
2. UL listed for U.S. & Canada.
3. Wire connector rated for 35Kv max.
4. Class B/C compressed, concentric, and compact copper conductor only.
5. Expanded wire range when installed with dieless NSi compression tool (N121D).
6. Dimensions are for reference only, tolerance is +/- .06".

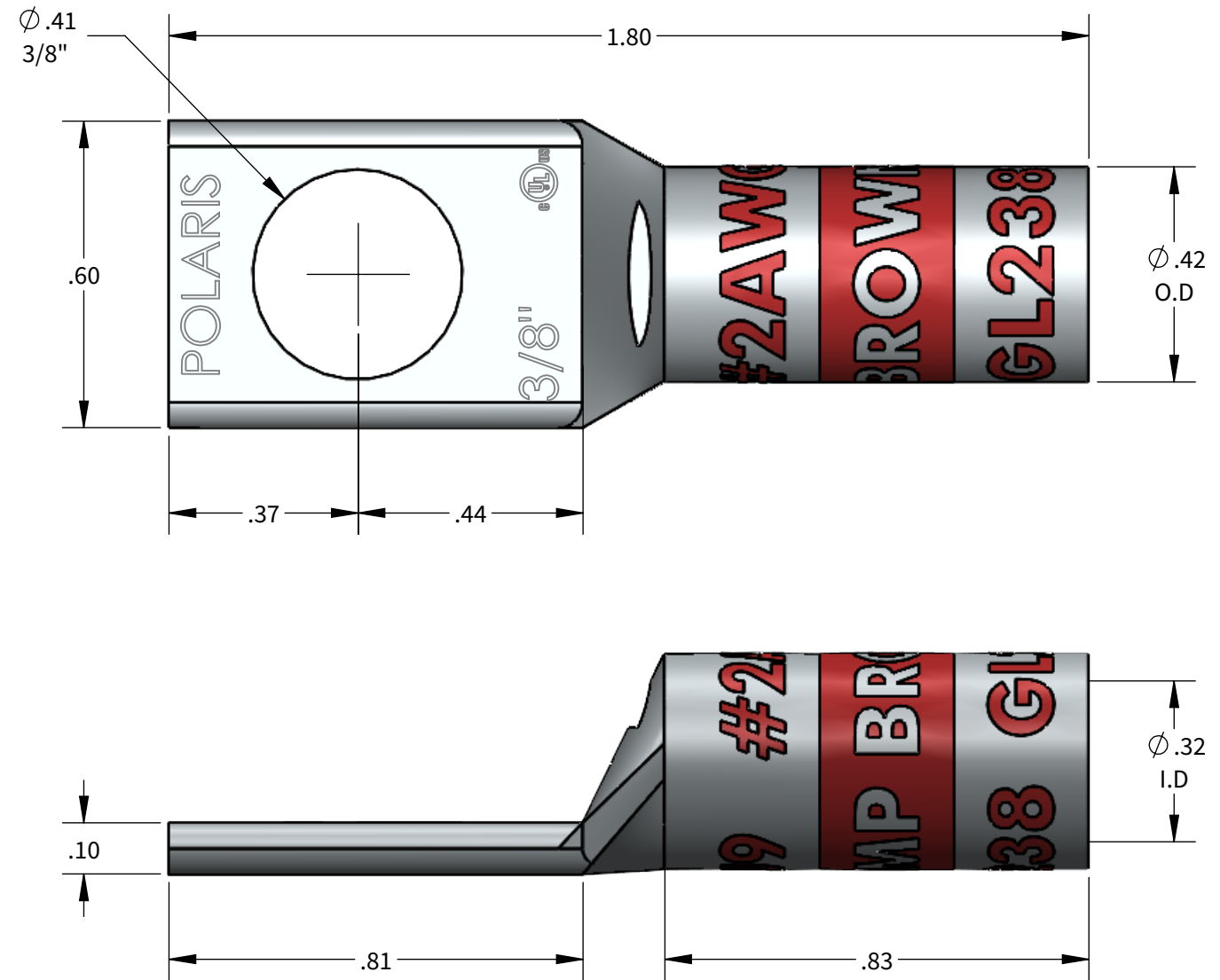
GL Series: GL238



PROGRAM:	SOLIDWORKS
UPDATED:	4/2022
SALES REV:	A
SIZE:	B (11x17)



SCALE 3:1



COPPER COMPRESSION CONNECTOR TOOL AND DIE CHART (# OF CRIMPS)

			NSI				GREENLEE		ILSCO	BURNDY	T&B	HUSKIE	
WIRE SIZE	STRIP LENGTH	DIE COLOR	EXPANDED WIRE RANGE W/N121D	N1240 SERIES	NSI-12	NSI-12	1240 SERIES		ILC-12/ILC-15 SERIES	Y-35, Y750, PAT 750	TBM-15, TBM-14M	EP510C	
#2AWG	15/16"	BROWN	#2AWG-#6AWG	KC12-2 (1)	CD4 (2)	HT41AW (2)	KC12-2 (1)	ILD-4 (2)	KC12-2(1)	U2CRT (1)	15528 (2)	HT41AW (2)	CD4 (2)

