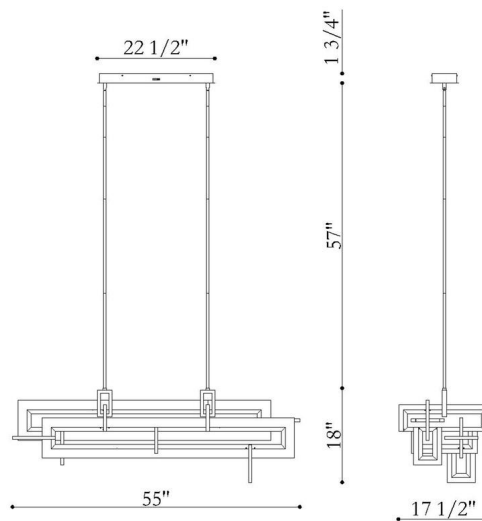


JOB NAME:

DATE:

TYPE:

COMMENTS:



**LIGHT INFORMATION**

Light Type	Integrated LED
CRI	90
Delivered Lumens	4315
Color Temperature	3000K
LED Lifespan (L70)	20000
Number of Lights	5
Light Direction	Ambient
Dimming Method	Triac/Elv
Current Type	DC
Input Voltage	120
Total Wattage	150

**DIMENSIONS & WEIGHT**

Length (In)	55
Width (In)	17.5
Height (In)	18
Min Height (In)	22.75
Max Height (In)	76.75
Weight (Lbs)	38.02

**PRODUCT FINISH**

Matte Gold

**CERTIFICATIONS & COMPLIANCE**



**INSTALLATION**

Mounting Type	J-Box
Rating	Dry
Hanging Support Type	Rod