



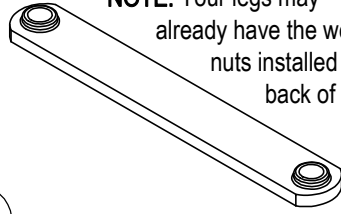
**Optional Cross Support Return Side**  
Warranty: [raproducts.com/warranty](http://raproducts.com/warranty)

NOTE: Your legs may already have the weld nuts installed into the back of the legs.



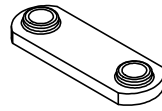
1

53638 x6



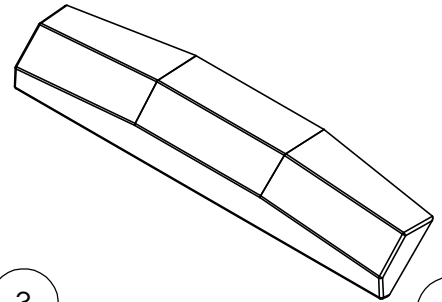
2

52963 x1



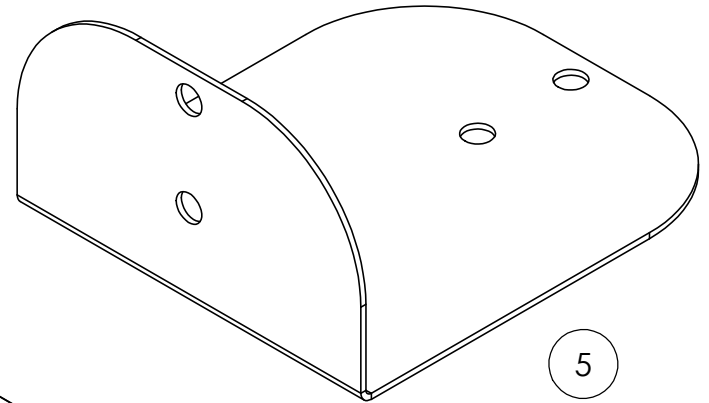
3

50194 x2



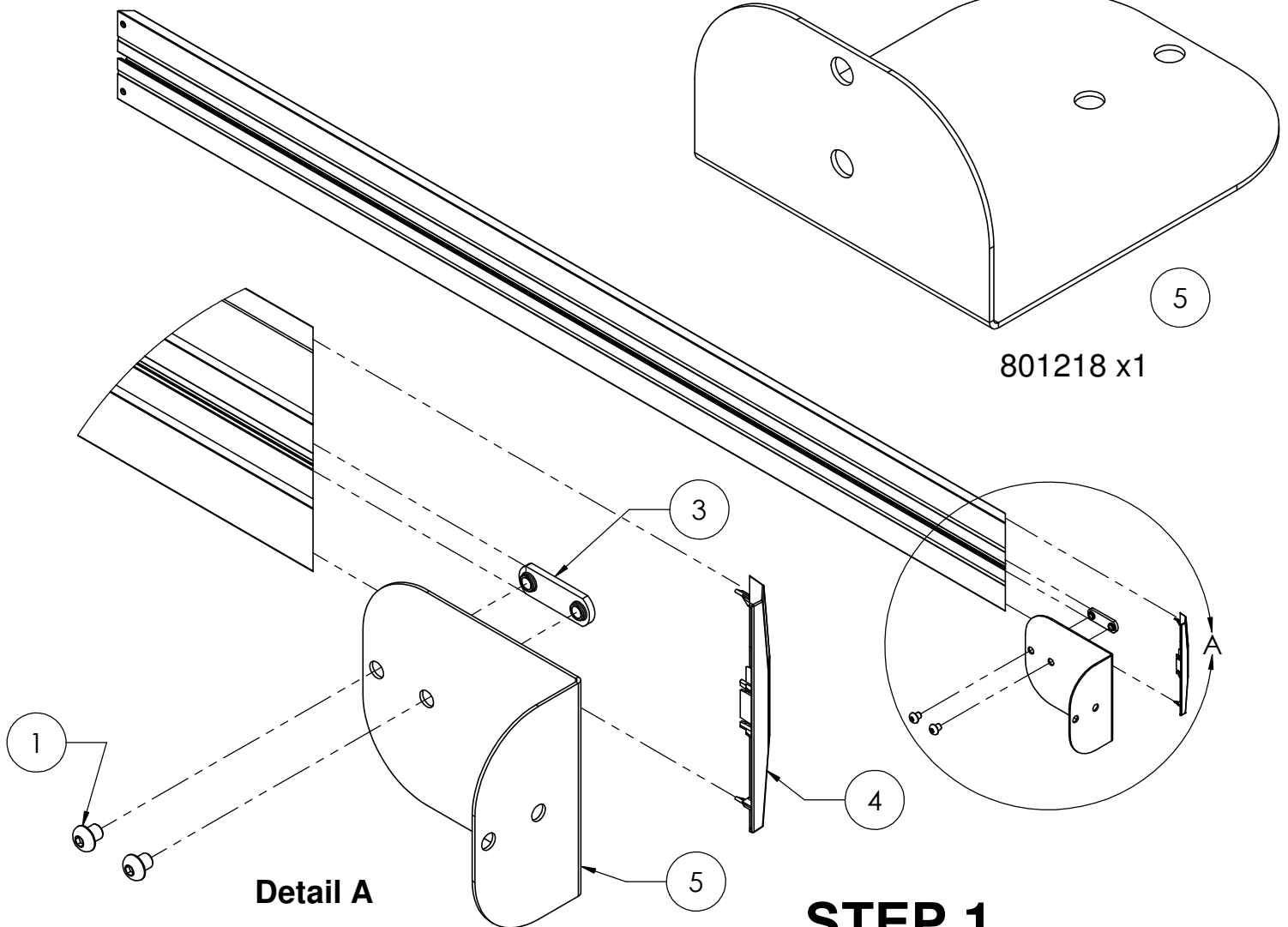
4

800934 x1



5

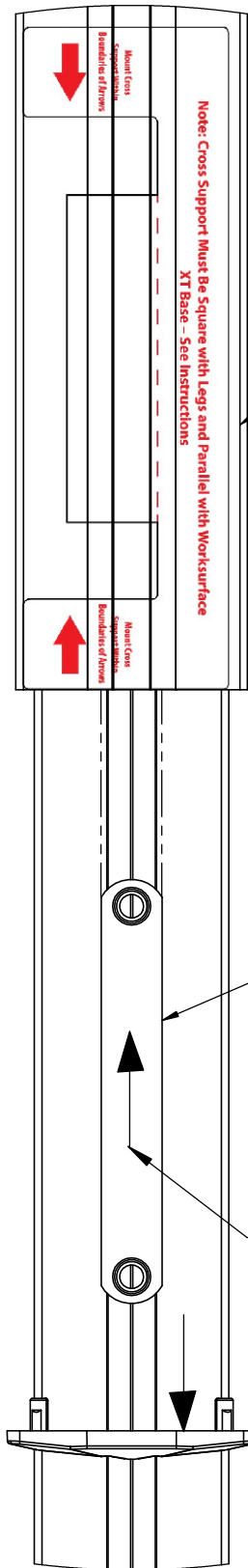
801218 x1



**Detail A**

**STEP 1**

Build as a Subassembly

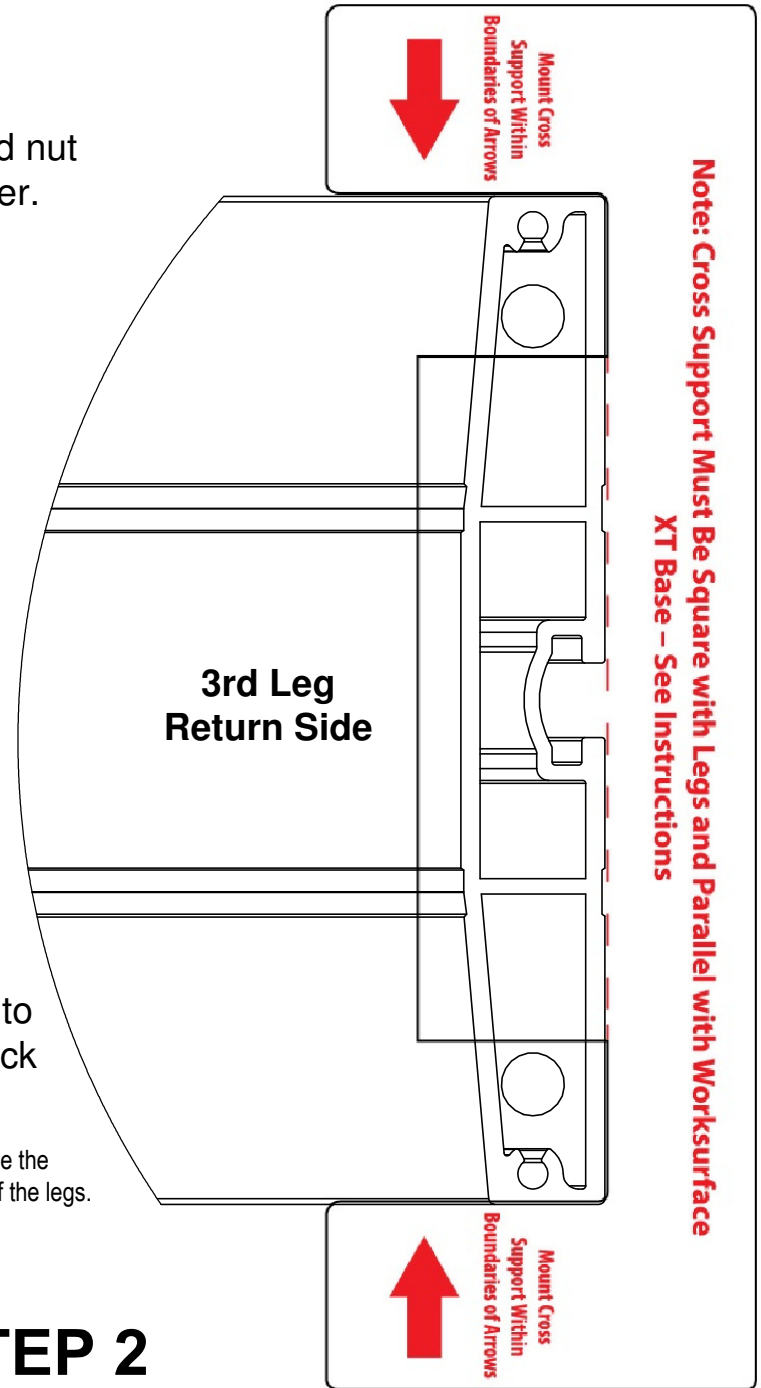


Center the weld nut under the sticker.

Slide the weld nut into the groove at the back of the outer column.

**NOTE:** Your legs may already have the weld nuts installed into the back of the legs.

## STEP 2

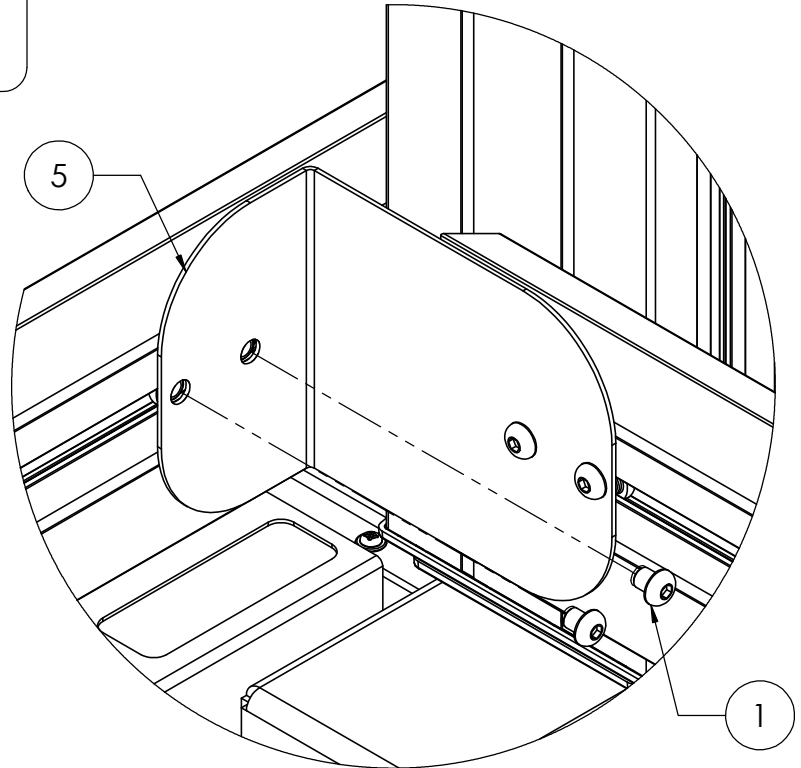




Power Driver with Adjustable Torque



3/16" Hex Had Driver Bit or 3/16" Allen Wrench



Detail B

### STEP 3

