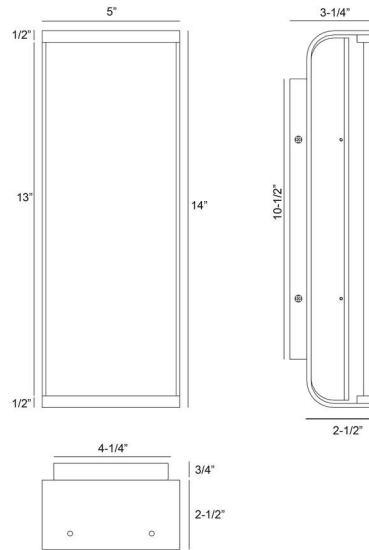


JOB NAME:

DATE:

TYPE:

COMMENTS:



**LIGHT INFORMATION**

Light Type	Integrated LED
CRI	90
Delivered Lumens	383
Color Temperature	3000K
LED Lifespan (L70)	52000
Number of Lights	1
Light Direction	Ambient
Dimming Method	Triac
Current Type	AC
Input Voltage	120
Total Wattage	20

**DIMENSIONS & WEIGHT**

Width (In)	5
Height (In)	14
Ext (In)	3.21
Weight (Lbs)	5.6

**INSTALLATION**

Mounting Type	J-Box
Rating	Wet (IP65)
Hanging Support Type	J-Box

**PRODUCT FINISH**

Matte Black

**SHADE FINISH**

Smoked Glass

**CERTIFICATIONS & COMPLIANCE**

